

## DRG270024L

Weidmüller Interface GmbH &amp; Co. KG

Klingenbergstraße 26

D-32758 Detmold

Germany

www.weidmueller.com

## Product image



Relay from the D-SERIES DRG.

- 2 or 4 CO contacts
- Compact design
- Wide range of coil voltages
- Optional test button (AC red, DC blue)
- Integrated with integrated status display (AC red, DC green) and/or free-wheel diode

## General ordering data

Version	D-SERIES DRG, Relay, Rated control voltage: 24 V DC, Continuous current: 12 A, Plug-in connection
Order No.	<a href="#">7760056503</a>
Type	DRG270024L
GTIN (EAN)	6944 1698 10152
Qty.	20 items
Local product	Only available in certain countries

## Technical data

## Approvals

Approvals

ROHS Conform  
UL File Number Search [UL Website](#)  
Certificate No. (cURus) E312083

## General ordering data

Local product Only available in certain countries

## Dimensions and weights

Depth	35.4 mm	Depth (inches)	1.3937 inch
Height	27.2 mm	Height (inches)	1.0709 inch
Width	21 mm	Width (inches)	0.8268 inch
Net weight	45 g		

## Temperatures

Storage temperature	-40 °C...85 °C	Operating temperature	-40 °C...55 °C
Humidity	5...85 % rel. humidity, no condensation		

## Environmental Product Compliance

RoHS Compliance Status Compliant without exemption  
REACH SVHC No SVHC above 0.1 wt%

## Rated data UL

Certificate No. (cURus) E312083

## Control side

Rated control voltage	24 V DC	Rated current DC	36.9 mA
Power rating	0.9 W	Coil resistance	640 Ω ± 10 %
Status indicator	Green LED		

## Load side

Rated switching voltage	250 V AC / 30 V DC	Continuous current	12 A
Max. switching voltage, AC	250 V	Max. switching voltage, DC	30 V
AC switching capacity (resistive), max.	3000VA	DC switching capacity (resistive), max.	360W @ 30V
Switch-on delay	<20 ms	Switch-off delay	<20 ms
Contact type	2 CO contact (AgNi 90/10)	Min. switching power	10 mA @ 17 V DC

## General data

Test button available	No	Mechanical switch position indicator	Yes
Colour	Transparent	UL 94 flammability rating	V-0

**Technical data****Insulation coordination**

Rated voltage	250 V	Pollution severity	2
Surge voltage category	III	Dielectric strength for control side - load side	2 kVeff / 1 min
Dielectric strength of neighbouring contacts	2.5 kVeff / 1 Min.	Dielectric strength of open contact	1 kVeff / 1 min
Protection degree	IP20		

**Further details of approvals / standards**

Certificate No. (cURus)	E312083
-------------------------	---------

**Connection data**

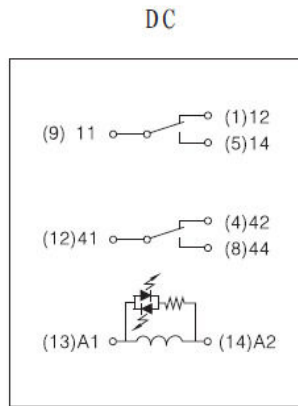
Wire connection method	Plug-in connection
------------------------	--------------------

**Classifications**

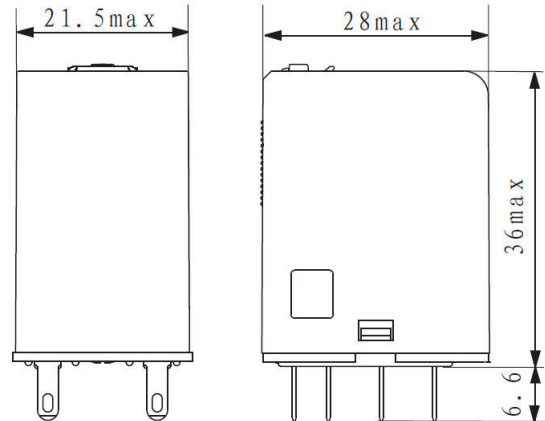
ETIM 8.0	EC001437	ETIM 9.0	EC001437
ETIM 10.0	EC001437	ECLASS 14.0	27-37-16-01
ECLASS 15.0	27-37-16-01		

Drawings

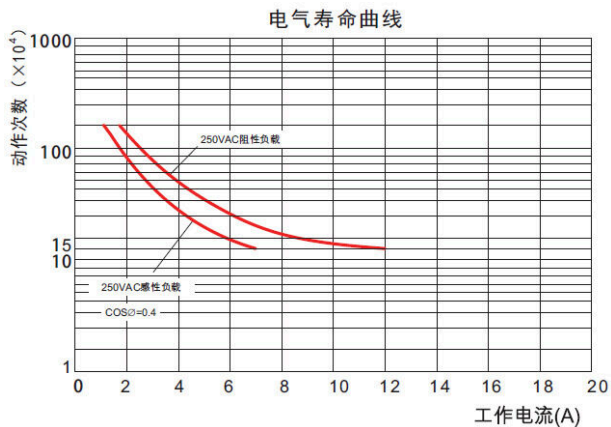
Wiring diagram



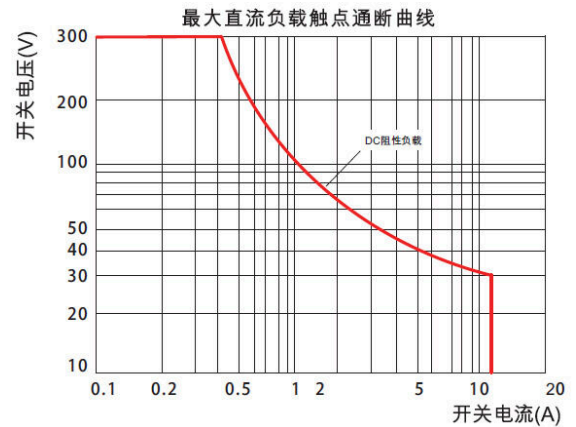
Dimensional drawing



Electrical service life



DC load limit curve



Drawings

Type codes

型号说明

DRG

型号 DRG

触点类型

270 2组转换触点  
 570 4组转换触点

线圈代码

012 12VDC / 024 24VDC / 048 48VDC /  
 110 110VDC / 220 220VDC /  
 524 24VAC / 548 48VAC / 615 115VAC /  
 730 230VAC

带LED指示灯

L (交流线圈用红色, 直流线圈用绿色)

带测试按钮

T

带续流二极管

D

普通触点

/

镀金触点

Au