

**SDI CLIP P**

**Weidmüller Interface GmbH & Co. KG**  
Klingenbergstraße 26  
D-32758 Detmold  
Germany

www.weidmueller.com



Retaining clip for D-SERIES DRI relays

- Metal and plastic retaining clip

**General ordering data**

|            |                              |
|------------|------------------------------|
| Version    | D-SERIES DRI, Retaining clip |
| Order No.  | <a href="#">7760056389</a>   |
| Type       | SDI CLIP P                   |
| GTIN (EAN) | 6944169787539                |
| Qty.       | 10 items                     |

**SDI CLIP P**

**Weidmüller Interface GmbH & Co. KG**  
 Klingenbergstraße 26  
 D-32758 Detmold  
 Germany

www.weidmueller.com

**Technical data**

**Approvals**

ROHS Conform

**Dimensions and weights**

|            |         |                 |             |
|------------|---------|-----------------|-------------|
| Depth      | 39.6 mm | Depth (inches)  | 1.5591 inch |
| Height     | 31 mm   | Height (inches) | 1.2205 inch |
| Width      | 15.7 mm | Width (inches)  | 0.6181 inch |
| Net weight | 1.96 g  |                 |             |

**Temperatures**

Storage temperature Operating temperature

**Environmental Product Compliance**

RoHS Compliance Status Compliant without exemption  
 REACH SVHC No SVHC above 0.1 wt%

**General data**

|                                    |                          |                |  |
|------------------------------------|--------------------------|----------------|--|
| Version                            | with marker holder       |                |  |
| Basic material                     | Plastic                  |                |  |
| UL94 flammability rating component | Component                | Retaining clip |  |
|                                    | UL94 flammability rating | V-2            |  |

**Classifications**

|             |             |             |             |
|-------------|-------------|-------------|-------------|
| ETIM 8.0    | EC002586    | ETIM 9.0    | EC002586    |
| ETIM 10.0   | EC002586    | ECLASS 14.0 | 27-37-16-92 |
| ECLASS 15.0 | 27-37-16-92 |             |             |

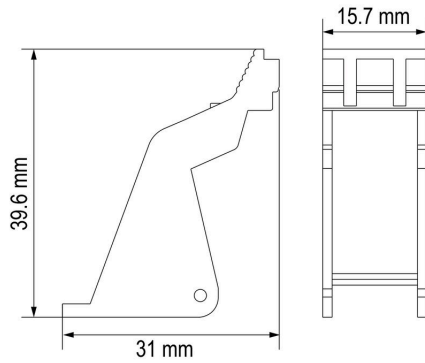
SDI CLIP P

Weidmüller Interface GmbH & Co. KG  
Klingenbergstraße 26  
D-32758 Detmold  
Germany

www.weidmueller.com

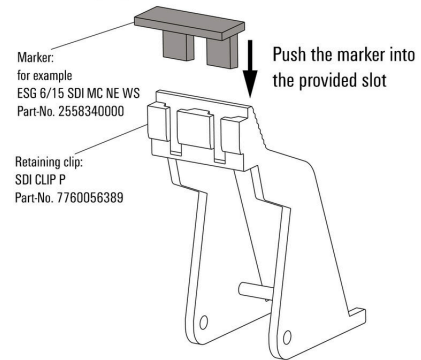
Drawings

Dimensional drawing



Example of use

How to install marker on retaining clip



How to install marker on retaining clip

Example of use

