

SCM 2CO P**Weidmüller Interface GmbH & Co. KG**

Klingenbergstraße 26

D-32758 Detmold

Germany

www.weidmueller.com



Relay sockets for the D-SERIES DRM relays

- 2 and 4 CO contacts
- Screw and PUSH IN connection
- Standard and low heights

General ordering data

| | |
|------------|--|
| Version | D-SERIES DRM, Relay socket, Number of contacts: 2, CO contact, Continuous current: 12 A, PUSH IN |
| Order No. | 7760056362 |
| Type | SCM 2CO P |
| GTIN (EAN) | 6944 169772269 |
| Qty. | 10 items |

SCM 2CO P

Weidmüller Interface GmbH & Co. KG

Klingenbergstraße 26

D-32758 Detmold

Germany

www.weidmueller.com

Technical data

Approvals

Approvals



ROHS Conform

UL File Number Search [UL Website](#)

Certificate No. (cURus) E355547

Dimensions and weights

| | | | |
|------------|----------|-----------------|-------------|
| Depth | 42.7 mm | Depth (inches) | 1.6811 inch |
| Height | 101.8 mm | Height (inches) | 4.0079 inch |
| Width | 30.6 mm | Width (inches) | 1.2047 inch |
| Net weight | 56.94 g | | |

Temperatures

| | | | |
|-----------------------|----------------|---------------------|---------------------------|
| Storage temperature | -40 °C...85 °C | Ambient temperature | -40 °C...55 °C |
| Operating temperature | | Humidity | 5...85 %, no condensation |

Environmental Product Compliance

RoHS Compliance Status Compliant without exemption

REACH SVHC No SVHC above 0.1 wt%

Rated data UL

Certificate No. (cURus) E355547

Load side

| | | | |
|----------------------------|----------|--------------------|--------------|
| Rated switching voltage | 300 V AC | Continuous current | 12 A |
| Max. switching voltage, AC | 300 V | Contact type | 2 CO contact |

General data

| | | | |
|------------------------------------|--------------------------|----------------|--|
| Mounting rail | TS 35 | | |
| Colour | black | | |
| UL94 flammability rating component | Component | Retaining clip | |
| | UL94 flammability rating | HB | |
| | Component | Mounting foot | |
| | UL94 flammability rating | HB | |
| | Component | Pusher | |
| | UL94 flammability rating | HB | |
| | Component | Housing | |
| | UL94 flammability rating | V-2 | |

Insulation coordination

| | | | |
|---|--------------------|--|--------------------|
| Rated voltage | 300 V | Pollution severity | 2 |
| Surge voltage category | III | Insulating material group | IIIb |
| Clearance and creepage distances for control side - load side | ≥ 3 mm | Dielectric strength for control side - load side | 4 kVeff / 1 min |
| Dielectric strength of neighbouring contacts | 2.5 kVeff / 1 Min. | Dielectric strength of open contact | 2.5 kVeff / 1 Min. |

SCM 2CO P

Weidmüller Interface GmbH & Co. KG
 Klingenbergstraße 26
 D-32758 Detmold
 Germany

www.weidmueller.com

Technical data

| | | | |
|-------------------|------|--|--------------------|
| Protection degree | IP20 | Impulse withstand voltage at neighbouring contacts | 4.8 kV (1.2/50 µs) |
|-------------------|------|--|--------------------|

Further details of approvals / standards

| | |
|-------------------------|---------|
| Certificate No. (cURus) | E355547 |
|-------------------------|---------|

Connection data

| | | | |
|---|---------------------|---|----------------------|
| Wire connection method | PUSH IN | Stripping length, rated connection | 10 mm |
| Clamping range, rated connection | 1.5 mm ² | Clamping range, min. | 0.14 mm ² |
| Clamping range, max. | 1.5 mm ² | Wire connection cross section AWG, min. | AWG 26 |
| Wire connection cross section AWG, max. | AWG 16 | Wire cross-section, solid, min. | 0.14 mm ² |
| Wire cross-section, solid, max. | 1.5 mm ² | Wire connection cross section, finely stranded, min. | 0.14 mm ² |
| Wire connection cross section, finely stranded, max. | 1.5 mm ² | Wire connection cross-section, finely stranded with wire-end ferrules DIN 46228/4, min. | 0.14 mm ² |
| Wire connection cross-section, finely stranded with wire-end ferrules DIN 46228/4, max. | 1 mm ² | Conductor cross-section, flexible, AEH (DIN 46228-1), min. | 0.14 mm ² |
| Conductor cross-section, flexible, AEH (DIN 46228-1), max. | 1.5 mm ² | Blade size | 0.4 x 2.5 mm |

Important note

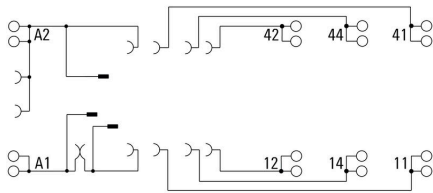
| | |
|---------------------|--|
| Product information | Only connection A2 with the cross-connection SCM/SDI P CC (art. no. 7760056366) can be bridged on this socket. |
|---------------------|--|

Classifications

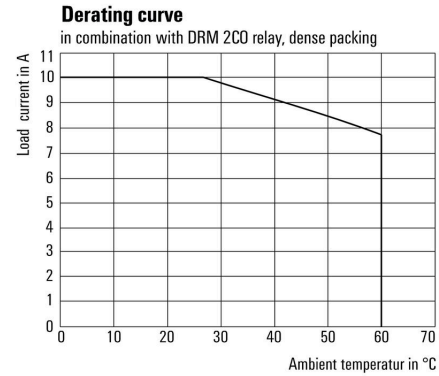
| | | | |
|-------------|-------------|-------------|-------------|
| ETIM 8.0 | EC001456 | ETIM 9.0 | EC001456 |
| ETIM 10.0 | EC001456 | ECLASS 14.0 | 27-37-16-03 |
| ECLASS 15.0 | 27-37-16-03 | | |

Drawings

Wiring diagram



Graph

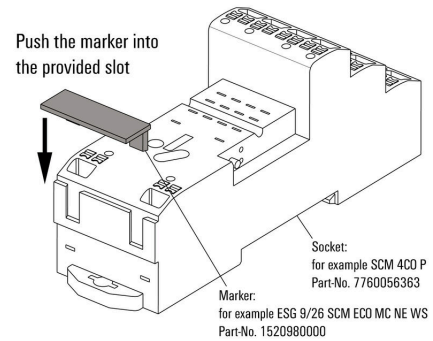


Derating curve In combination with DRM 2CO relays, fitted closely side by side

Example of use

How to install marker

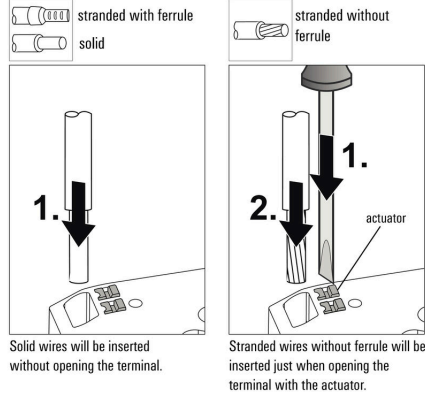
on PUSH IN connection sockets (one slot available)



How to install marker on PUSH IN connection sockets (one slot available)

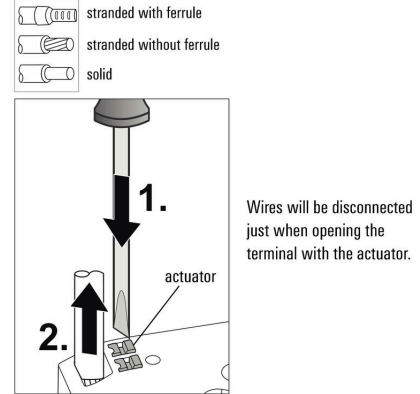
Miscellaneous

Insert flexible and solid cables



Miscellaneous

Removal of cables



Miscellaneous

Recommended screwdriver

to push the actuator in PUSH IN

