

SDI 1CO ECO

Weidmüller Interface GmbH & Co. KG

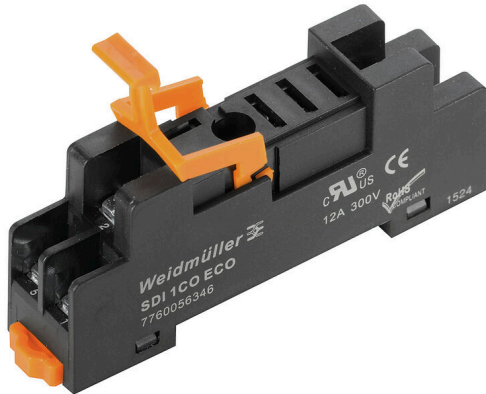
Klingenbergstraße 26

D-32758 Detmold

Germany

www.weidmueller.com

Product image



Relay sockets for the D-SERIES DRI relays

- 1 and 2 CO contacts
- Screw and PUSH IN connection
- Standard and low heights

General ordering data

Version	D-SERIES DRI, Relay socket, Number of contacts: 1, CO contact, Continuous current: 12 A, Screw connection
Order No.	7760056346
Type	SDI 1CO ECO
GTIN (EAN)	6944169739934
Qty.	10 items

Technical data

Approvals

Approvals



ROHS Conform

Dimensions and weights

Depth	29.2 mm	Depth (inches)	1.1496 inch
Height	73.3 mm	Height (inches)	2.8858 inch
Width	15.8 mm	Width (inches)	0.622 inch
Net weight	20 g		

Temperatures

Storage temperature	-40 °C...85 °C	Ambient temperature	-40 °C...70 °C
Operating temperature		Humidity	35...85 % rel. humidity, no condensation

Environmental Product Compliance

RoHS Compliance Status	Compliant without exemption
REACH SVHC	No SVHC above 0.1 wt%

Load side

Rated switching voltage	300 V AC	Continuous current	12 A
Max. switching voltage, AC	300 V	Contact type	1 CO contact

General data

Version	flat design		
Mounting rail	TS 35		
Colour	black		
UL94 flammability rating component	Component	Housing	
	UL94 flammability rating	V-2	
	Component	Mounting foot	
	UL94 flammability rating	HB	
	Component	Retaining clip	
	UL94 flammability rating	HB	

Insulation coordination

Rated voltage	250 V	Pollution severity	2
Surge voltage category	III	Insulating material group	IIIb
Clearance and creepage distances for control side - load side	≥ 3 mm	Dielectric strength for control side - load side	4 kVeff / 1 Min.
Impulse withstand voltage	4.8 kV (1.2/50 µs)	Protection degree	IP10

Connection data

Wire connection method	Screw connection	Stripping length, rated connection	8 mm
Tightening torque, min.	0.5 Nm	Tightening torque, max.	0.8 Nm
Clamping range, rated connection	1.5 mm ²	Clamping range, min.	0.5 mm ²
Clamping range, max.	2.5 mm ²	Wire cross-section, solid, min.	0.5 mm ²

SDI 1CO ECO

Weidmüller Interface GmbH & Co. KG

Klingenbergstraße 26
D-32758 Detmold
Germany

www.weidmueller.com

Technical data

Wire cross-section, solid, max.	2.5 mm ²	Wire connection cross section, finely stranded, min.	0.5 mm ²
Wire connection cross section, finely stranded, max.	2.5 mm ²	Wire connection cross-section, finely stranded with wire-end ferrules DIN 46228/4, min.	0.5 mm ²
Wire connection cross-section, finely stranded with wire-end ferrules DIN 46228/4, max.	1.5 mm ²	Conductor cross-section, flexible, AEH (DIN 46228-1), min.	0.5 mm ²
Conductor cross-section, flexible, AEH (DIN 46228-1), max.	1.5 mm ²	Wire connection	M3 ring cable lug (insulated) for input connections, M3.5 ring cable lug (insulated) for output connections
Blade size	size PH1		

Important note

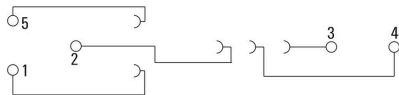
Product information For this socket, a cross connection is not available. For this socket, markers are not available.

Classifications

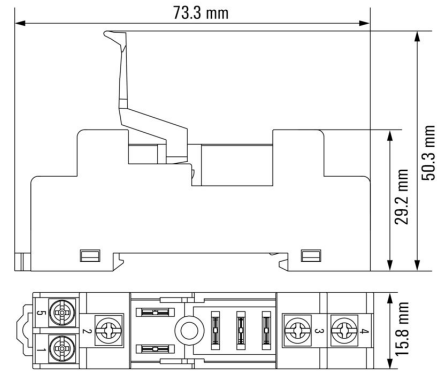
ETIM 8.0	EC001456	ETIM 9.0	EC001456
ETIM 10.0	EC001456	ECLASS 14.0	27-37-16-03
ECLASS 15.0	27-37-16-03		

Drawings

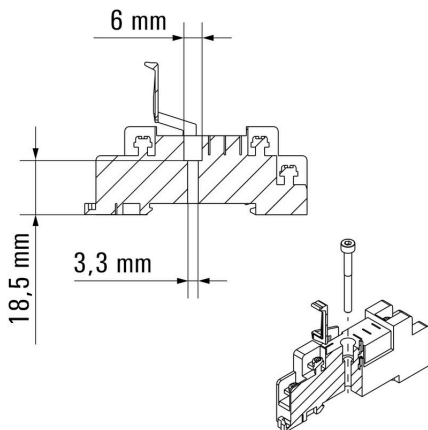
Wiring diagram



Dimensional drawing



Dimensional drawing



SDI 1CO ECO

Weidmüller Interface GmbH & Co. KG

Klingenbergstraße 26

D-32758 Detmold

Germany

www.weidmueller.com

Accessories

Crosshead screwdriver, Phillips



VDE insulated screwdriver sets, for working on live parts up to 1000 V AC and 1500 V DC, DIN EN 60900. IEC 900. Each piece is "GS" safety tested. Blade made from fully hardened, high-alloy chromium-vanadium-molybdenum steel, gun-metal finish.

General ordering data

Type	SDIK SLIM PH1 X 80	Version	
Order No.	2749650000	Screwdriver, Blade width (B): 1 mm, 80 mm, Blade thickness (A): 1	
GTIN (EAN)	4050118896398		
Qty.	1 ST		

Crosshead screwdriver Phillips



VDE insulated crosshead screwdriver, for Phillips screws, SDIK PH DIN 7438, ISO 8764/2-PH, output to ISO 8764-PH, SoftFinish grip

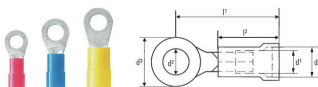
General ordering data

Type	SDIK PH1 X 80	Version	
Order No.	2749890000	Screwdriver, Blade width (B): 1 mm, 80 mm, Blade thickness (A): 1	
GTIN (EAN)	4050118897098		
Qty.	1 ST		
Type	SDK PH1 X 80	Version	
Order No.	2749410000	Screwdriver, Blade width (B): 4.5 mm, 80 mm, Blade thickness (A): 1	
GTIN (EAN)	4050118895636		
Qty.	1 ST		

Ring cable lugs

Insulated ring-cable connector made from PVC

- Commercially available designs
- Not soldered
- With conical entry funnel



SDI 1CO ECO

Weidmüller Interface GmbH & Co. KG
 Klingenbergstraße 26
 D-32758 Detmold
 Germany

www.weidmueller.com

Accessories

General ordering data

Type	LIR 1,5M3 V	Version
Order No.	9200070000	cable lug, terminal end, Insulated cable connector, 1.5 mm ² , 0.5 mm ² -
GTIN (EAN)	4032248409839	1.5 mm ²
Qty.	100 ST	
Type	LIR 2,5M3 V	Version
Order No.	9200150000	cable lug, terminal end, Insulated cable connector, 2.5 mm ² , 1.5 mm ² -
GTIN (EAN)	4032248409778	2.5 mm ²
Qty.	100 ST	
Type	LIR 1,5M3,5 V	Version
Order No.	9200080000	cable lug, terminal end, Insulated cable connector, 1.5 mm ² , 0.5 mm ² -
GTIN (EAN)	4032248409846	1.5 mm ²
Qty.	100 ST	
Type	LIR 2,5M3,5 V	Version
Order No.	9200160000	cable lug, terminal end, Insulated cable connector, 2.5 mm ² , 1.5 mm ² -
GTIN (EAN)	4032248409785	2.5 mm ²
Qty.	100 ST	

Crimp cable lugs



Insulated cable connector in PVC or PC/PA

- Conventional designs
- Not soldered
- With conical entry funnel, except for joint connector

General ordering data

Type	KQI-M3/-1	Version
Order No.	1492170000	cable lug, terminal end, Insulated cable connector, 1 mm ² , 0.5 mm ² - 1
GTIN (EAN)	4050118302035	mm ²
Qty.	100 ST	
Type	KQI-M3/-2,5	Version
Order No.	1492250000	cable lug, terminal end, Insulated cable connector, 2.5 mm ² , 1.5 mm ² -
GTIN (EAN)	4050118302073	2.5 mm ²
Qty.	100 ST	
Type	KQI-M3,5/-1	Version
Order No.	1492180000	cable lug, terminal end, Insulated cable connector, 1 mm ² , 0.5 mm ² - 1
GTIN (EAN)	4050118302080	mm ²
Qty.	100 ST	
Type	KQI-M3,5/-2,5	Version
Order No.	1492270000	cable lug, terminal end, Insulated cable connector, 2.5 mm ² , 1.5 mm ² -
GTIN (EAN)	4050118302134	2.5 mm ²
Qty.	100 ST	