

DRM570110LT

Weidmüller Interface GmbH & Co. KG
 Klingenbergstraße 26
 D-32758 Detmold
 Germany

www.weidmueller.com

Product image



Similar to illustration

Individual relays within the D-SERIES DRM

- 4 CO contacts
- AC coils
- With integrated status LED and test button

General ordering data

| | |
|------------|--|
| Version | D-SERIES DRM, Relay, Number of contacts: 4, CO contact, AgNi flash gold-plated, Rated control voltage: 110 V DC, Continuous current: 5 A, Plug-in connection |
| Order No. | 7760056099 |
| Type | DRM570110LT |
| GTIN (EAN) | 4032248855650 |
| Qty. | 20 items |

DRM570110LT

Weidmüller Interface GmbH & Co. KG

Klingenbergstraße 26

D-32758 Detmold

Germany

www.weidmueller.com

Technical data

Approvals

Approvals



ROHS Conform

UL File Number Search [UL Website](#)

Certificate No. (cURus) E312083

Dimensions and weights

| | | | |
|------------|---------|-----------------|-------------|
| Depth | 35.7 mm | Depth (inches) | 1.4055 inch |
| Height | 27.4 mm | Height (inches) | 1.0787 inch |
| Width | 21 mm | Width (inches) | 0.8268 inch |
| Net weight | 34.65 g | | |

Temperatures

| | | | |
|-----------------------|----------------|---------------------|--|
| Storage temperature | -40 °C...70 °C | Ambient temperature | -40 °C...60 °C |
| Operating temperature | | Humidity | 35...85 % rel. humidity, no condensation |

Environmental Product Compliance

| | |
|------------------------|-----------------------------|
| RoHS Compliance Status | Compliant without exemption |
| REACH SVHC | No SVHC above 0.1 wt% |

Rated data UL

Certificate No. (cURus) E312083

Control side

| | | | |
|-----------------------|-----------|------------------|----------------|
| Rated control voltage | 110 V DC | Rated current DC | 10 mA |
| Power rating | 1.2 W | Coil resistance | 11000 Ω ± 10 % |
| Status indicator | Green LED | | |

Load side

| | | | |
|---|---------------------------------------|---|---------------------------------------|
| Rated switching voltage | 250 V AC | Continuous current | 5 A |
| Max. switching frequency at rated load | 0.1 Hz | Inrush current | 10 A / 50 ms |
| AC switching capacity (resistive), max. | 1250 VA | DC switching capacity (resistive), max. | 120 W @ 24 V |
| Switch-on delay | <20 ms | Switch-off delay | <20 ms |
| Contact type | 4 CO contact (AgNi flash gold-plated) | Mechanical service life | 20 x 10 ⁶ switching cycles |
| Min. switching power | 10 mA @ 12 V, 100 mA @ 5 V | | |

General data

| | | | |
|--------------------------------------|---|-------------|--|
| Test button available | Yes | | |
| Version of test button | Lockable test button, Momentary test button | | |
| Mechanical switch position indicator | Yes | | |
| Colour | Transparent | | |
| UL94 flammability rating component | Component | Relay cover | |
| | UL94 flammability rating | V-2 | |

Technical data

| | |
|--------------------------|------------------------|
| Component | Relay baseplate |
| UL94 flammability rating | V-0 |
| Component | Relay status indicator |
| UL94 flammability rating | HB |
| Component | Relay test button |
| UL94 flammability rating | HB |

Insulation coordination

| | | | |
|--|--------------------|---|------------------|
| Rated voltage | 250 V | Pollution severity | 2 |
| Surge voltage category | III | Clearance and creepage distances for control side - load side | ≥ 5.5 mm |
| Dielectric strength for control side - load side | 1.8 kVeff / 1 min. | Dielectric strength of neighbouring contacts | 1 kVeff / 1 min |
| Dielectric strength of open contact | 1 kVeff / 1 min | Impulse withstand voltage | 6 kV (1.2/50 µs) |
| Protection degree | IP20 | | |

Further details of approvals / standards

| | |
|-------------------------|---------|
| Certificate No. (cURus) | E312083 |
|-------------------------|---------|

Connection data

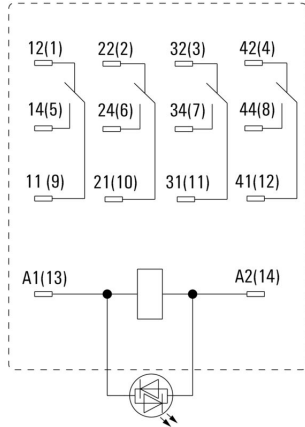
| | |
|------------------------|--------------------|
| Wire connection method | Plug-in connection |
|------------------------|--------------------|

Classifications

| | | | |
|-------------|-------------|-------------|-------------|
| ETIM 8.0 | EC001437 | ETIM 9.0 | EC001437 |
| ETIM 10.0 | EC001437 | ECLASS 14.0 | 27-37-16-01 |
| ECLASS 15.0 | 27-37-16-01 | | |

Drawings

Wiring diagram



View of Pins from below

Graph



DC load limit curve Resistive load

Graph



Electrical service life

Graph



DC operational voltage range

Dimensional drawing



DRM570110LT

Weidmüller Interface GmbH & Co. KG
 Klingenbergstraße 26
 D-32758 Detmold
 Germany

Drawings

www.weidmueller.com

Miscellaneous



Type codes