

ACT20P-VM-AO-P

Weidmüller Interface GmbH & Co. KG
 Klingenbergstraße 26
 D-32758 Detmold
 Germany

www.weidmueller.com

Product image



ACT20P: The flexible solution

- Precise and highly functional signal converters
- Release levers simplify handling

General ordering data

Version	Analogue isolating amplifier, Input : AC/DC voltage, 0...600 V DC, 0...440 V AC, Output : 0-10 V, 0(4)-20 mA, Signal converter/isolator
Order No.	7760054360
Type	ACT20P-VM-AO-P
GTIN (EAN)	4050118559743
Qty.	1 items

ACT20P-VM-AO-P

Weidmüller Interface GmbH & Co. KG

Klingenbergstraße 26

D-32758 Detmold

Germany

www.weidmueller.com

Technical data

Approvals

Approvals



ROHS Conform

UL File Number Search [UL Website](#)

Certificate No. (cURus) E469563

Dimensions and weights

Depth	114.3 mm	Depth (inches)	4.5 inch
Height	119.2 mm	Height (inches)	4.6929 inch
Width	22.5 mm	Width (inches)	0.8858 inch
Net weight	140 g		

Temperatures

Storage temperature	-40 °C...85 °C	Operating temperature	-20 °C...60 °C
Humidity at operating temperature	0...95 % (no condensation)	Humidity	5...95 %, no condensation

Probability of failure

SIL in compliance with IEC 61508	None	MTTF	140 a
----------------------------------	------	------	-------

Environmental Product Compliance

RoHS Compliance Status	Compliant with exemption
RoHS Exemption (if applicable/known)	7a, 7cl
REACH SVHC	Lead 7439-92-1
SCIP	2f6dd957-421a-46db-a0c2-cf1609156924

Input

Number inputs	1	Input resistance	1 MΩ±5%
Input voltage	0...30 V DC, 0...60 V DC, 0...300 V DC, 0...440 V DC, 0...660 V DC, 0...60 V AC, 0...144 V AC, 0...300 V AC, 0...440 V AC		

Output

Number of outputs	1	load impedance voltage	≥ 10 kΩ
Load impedance current	≤ 500 Ω	Type	active, connected control must be passive
Output voltage, note	0...10 V	Output current	0...20 mA, 4...20 mA

General data

Accuracy	0.5 % FSR	Protection degree	IP20
Supply voltage	24...240 VUC (±10%)	Step response time	<300 ms
Mounting rail	TS 35	Power consumption	≤ 100 mA @ 24 VDC, ≤ 120mA @ 24V AC
Temperature coefficient	≤ 200 ppm/K	Nominal power consumption	2 VA
Configuration	With FDT/DTM software, Requires configuration	Operating altitude	≤ 2000 m

ACT20P-VM-AO-P

Weidmüller Interface GmbH & Co. KG

Klingenbergstraße 26
D-32758 Detmold
Germany

www.weidmueller.com

Technical data

adapter 8978580000
CBX200 USB

Insulation coordination

Impulse withstand voltage	4 kV (1.2/50 µs) input - output, 4 kV (1.2/50 µs) input / supply, 2.5 kV (1.2/50 µs) output / supply	EMC standards	EN 61326-1, EN 61000-6-2, EN 61000-6-4
Surge voltage category	III	Pollution severity	2
Galvanic isolation	between input / output / supply	Insulation voltage	1.5 kV AC output / supply, 2 kV AC input / output, 2 kV AC input / supply
Rated voltage	600 V input / output, 600 V input / supply, 300 V output / supply		

Connection data

Type of connection	PUSH IN	Tightening torque, min.	0.4 Nm
Tightening torque, max.	0.6 Nm	Clamping range, rated connection	2.5 mm ²
Clamping range, min.	0.5 mm ²	Clamping range, max.	2.5 mm ²
Wire connection cross section AWG, min.	AWG 26	Wire connection cross section AWG, max.	AWG 14

Part description

Product description	<p>The analogue voltage converter ACT20P-VM-AO-S measures DC or AC voltages. The analogue input signal is linearly converted into an analogue output signal (current or voltage) and galvanically isolated.</p> <p>Features</p> <ul style="list-style-type: none"> • Configuration and monitoring are performed via FDT/DTM-Software „WI-Manager“. • Signal and alarm triggering upon exceeding limit values or reverse polarity DC input voltage • Front LED indicates operation status • 3-way galvanic isolation between input, output and power supply. 		
---------------------	---	--	--

Classifications

ETIM 8.0	EC002653	ETIM 9.0	EC002653
ETIM 10.0	EC002653	ECLASS 14.0	27-21-01-20
ECLASS 15.0	27-21-01-20		

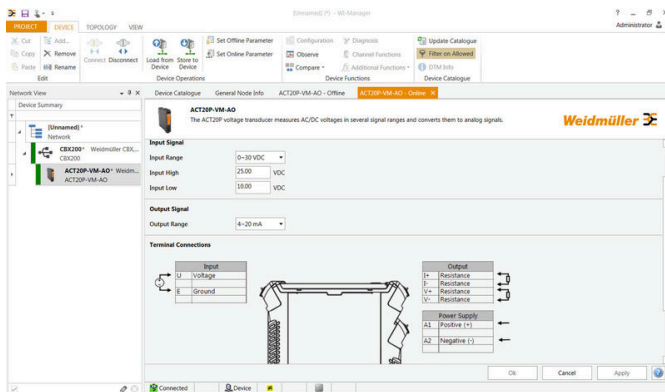
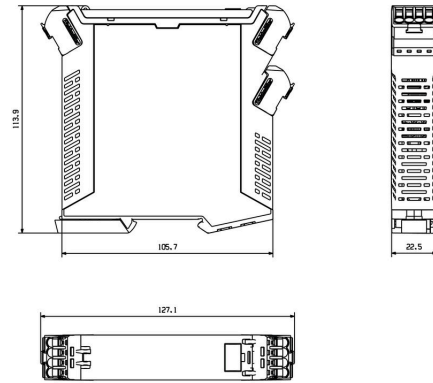
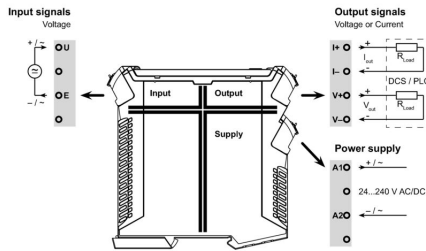
ACT20P-VM-AO-P

Weidmüller Interface GmbH & Co. KG
 Klingenbergstraße 26
 D-32758 Detmold
 Germany

Drawings

www.weidmueller.com

Dimensioned drawing



screenshot of configuration with FDT2 / DTM software

ACT20P-VM-AO-P

Weidmüller Interface GmbH & Co. KG
 Klingenbergstraße 26
 D-32758 Detmold
 Germany

www.weidmueller.com

Accessories

Blank



ESG is the tried-and-tested marker in MultiCard format for use on many well-known electrical devices. The result is high-quality device marking with a high-contrast appearance.

Various types are available for devices from manufacturers like Siemens, ABB, Beckhoff etc.

Advantages at a glance:

- Tags for universal usage, self-adhesive or clip-on tags, depending on type
- For aligned equipment, e.g. circuit breakers, we supply ESG markers for clipping onto tag rails
- Individual laser-quality printing according to specifications

For custom printing: Please send us a file of our labeling software M-Print PRO or M-Print PRO Online (without installation) for your labeling specifications.

General ordering data

Type	ESG 6.6/20 BHZ 5.00/04	Version	
Order No.	1082540000	ESG, Device markers x 20 mm, PA 66, Colour: white, pluggable	
GTIN (EAN)	4032248845439		
Qty.	200 ST		
Type	ESG 8/13.5/43.3 SAI AU	Version	
Order No.	1912130000	ESG, Device markers x 13.5 mm, PA 66, Colour: Transparent, pluggable	
GTIN (EAN)	4032248541164		
Qty.	5 ST		

Configuration interfaces



General ordering data

Type	CBX200 USB	Version	
Order No.	8978580000		
GTIN (EAN)	4032248813759		
Qty.	1 ST		