

**ACT20P-VM-AO-P****Weidmüller Interface GmbH & Co. KG**

Klingenbergstraße 26

D-32758 Detmold

Germany

www.weidmueller.com

**Product image**

ACT20P: The flexible solution

- Precise and highly functional signal converters
- Release levers simplify handling

**General ordering data**

Version	Analogue isolating amplifier, Input : AC/DC voltage, 0...600 V DC, 0...440 V AC, Output : 0-10 V, 0(4)-20 mA, Signal converter/isolator
Order No.	<a href="#">7760054360</a>
Type	ACT20P-VM-AO-P
GTIN (EAN)	4050118559743
Qty.	1 items

## ACT20P-VM-AO-P

Weidmüller Interface GmbH &amp; Co. KG

Klingenbergstraße 26

D-32758 Detmold

Germany

www.weidmueller.com

## Technical data

## Approvals

Approvals



ROHS Conform

UL File Number Search [UL Website](#)

Certificate No. (cURus) E469563

## Dimensions and weights

Depth	114.3 mm	Depth (inches)	4.5 inch
Height	119.2 mm	Height (inches)	4.6929 inch
Width	22.5 mm	Width (inches)	0.8858 inch
Net weight	140 g		

## Temperatures

Storage temperature	-40 °C...85 °C	Operating temperature	-20 °C...60 °C
Humidity at operating temperature	0...95 % (no condensation)	Humidity	5...95 %, no condensation

## Probability of failure

SIL in compliance with IEC 61508	None	MTTF	140 a
----------------------------------	------	------	-------

## Environmental Product Compliance

RoHS Compliance Status	Compliant with exemption
RoHS Exemption (if applicable/known)	7a, 7cl
REACH SVHC	Lead 7439-92-1
SCIP	2f6dd957-421a-46db-a0c2-cf1609156924

## Input

Number inputs	1	Input resistance	1 MΩ±5%
Input voltage	0...30 V DC, 0...60 V DC, 0...300 V DC, 0...440 V DC, 0...660 V DC, 0...60 V AC, 0...144 V AC, 0...300 V AC, 0...440 V AC		

## Output

Number of outputs	1	load impedance voltage	≥ 10 kΩ
Load impedance current	≤ 500 Ω	Type	active, connected control must be passive
Output voltage, note	0...10 V	Output current	0...20 mA, 4...20 mA

## General data

Accuracy	0.5 % FSR	Protection degree	IP20
Supply voltage	24...240 VUC (±10%)	Step response time	<300 ms
Mounting rail	TS 35	Power consumption	≤ 100 mA @ 24 VDC, ≤ 120mA @ 24V AC
Temperature coefficient	≤ 200 ppm/K	Nominal power consumption	2 VA
Configuration	With FDT/DTM software, Requires configuration	Operating altitude	≤ 2000 m

## ACT20P-VM-AO-P

**Weidmüller Interface GmbH & Co. KG**

Klingenbergstraße 26  
D-32758 Detmold  
Germany

www.weidmueller.com

## Technical data

adapter 8978580000  
CBX200 USB

### Insulation coordination

Impulse withstand voltage	4 kV (1.2/50 µs) input - output, 4 kV (1.2/50 µs) input / supply, 2.5 kV (1.2/50 µs) output / supply	EMC standards	EN 61326-1, EN 61000-6-2, EN 61000-6-4
Surge voltage category	III	Pollution severity	2
Galvanic isolation	between input / output / supply	Insulation voltage	1.5 kV AC output / supply, 2 kV AC input / output, 2 kV AC input / supply
Rated voltage	600 V input / output, 600 V input / supply, 300 V output / supply		

### Connection data

Type of connection	PUSH IN	Tightening torque, min.	0.4 Nm
Tightening torque, max.	0.6 Nm	Clamping range, rated connection	2.5 mm <sup>2</sup>
Clamping range, min.	0.5 mm <sup>2</sup>	Clamping range, max.	2.5 mm <sup>2</sup>
Wire connection cross section AWG, min.	AWG 26	Wire connection cross section AWG, max.	AWG 14

### Part description

Product description	<p>The analogue voltage converter ACT20P-VM-AO-S measures DC or AC voltages. The analogue input signal is linearly converted into an analogue output signal (current or voltage) and galvanically isolated.</p> <p>Features</p> <ul style="list-style-type: none"> <li>• Configuration and monitoring are performed via FDT/DTM-Software „WI-Manager“.</li> <li>• Signal and alarm triggering upon exceeding limit values or reverse polarity DC input voltage</li> <li>• Front LED indicates operation status</li> <li>• 3-way galvanic isolation between input, output and power supply.</li> </ul>		
---------------------	---	--	--

### Classifications

ETIM 8.0	EC002653	ETIM 9.0	EC002653
ETIM 10.0	EC002653	ECLASS 14.0	27-21-01-20
ECLASS 15.0	27-21-01-20		

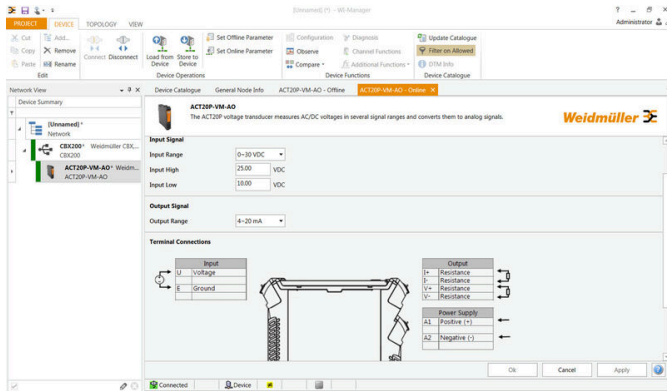
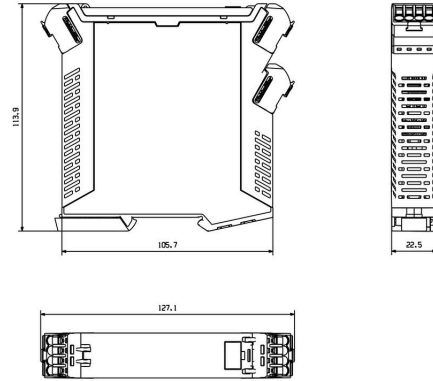
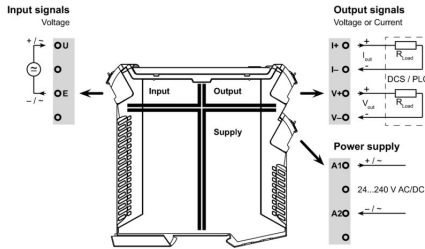
ACT20P-VM-AO-P

Weidmüller Interface GmbH & Co. KG  
 Klingenbergstraße 26  
 D-32758 Detmold  
 Germany

www.weidmueller.com

Drawings

Dimensioned drawing



screenshot of configuration with FDT2 / DTM software