

EPAK-TMR-PTC

Weidmüller Interface GmbH & Co. KG

Klingenbergstraße 26

D-32758 Detmold

Germany

www.weidmueller.com



The analogue converters of the EPAK series are characterised by their compact design.

The wide range of functions available with this series of analogue converters make them suitable for applications which do not require international approvals.

Properties:

- Safe isolation, conversion and monitoring of your analogue signals
- Configuration of the input and output parameters directly on the device via DIP switches
- No international approvals
- High interference resistance

General ordering data

Order No.	7760054304
Type	EPAK-TMR-PTC
GTIN (EAN)	6944 169742453
Qty.	1 items

EPAK-TMR-PTC

Weidmüller Interface GmbH & Co. KG

Klingenbergstraße 26
D-32758 Detmold
Germany

www.weidmueller.com

Technical data

Approvals

Approvals



ROHS Conform

Dimensions and weights

Depth	89 mm	Depth (inches)	3.5039 inch
Height	100 mm	Height (inches)	3.937 inch
Width	17.5 mm	Width (inches)	0.689 inch
Length	100 mm	Length (inches)	3.937 inch
Net weight	80 g		

Temperatures

Storage temperature	-40 °C...85 °C	Operating temperature	-20 °C...60 °C
Humidity at operating temperature	0...85 % rel. humidity		

Environmental Product Compliance

RoHS Compliance Status	Compliant
REACH SVHC	Lead 7439-92-1
SCIP	6a722fc5-2d22-41b4-9544-5b95e45a4b77

Input

Input measurement range	PT100 -50°C... 100°C
-------------------------	----------------------

Output (digital)

Rated switching current	3 A	Max. switching voltage, AC	250 V
Max. switching voltage, DC	30 V	Type	Relay, 1 CO contact
Alarm function	Over-temperature, Temperature limit (relay currentless): 3.6 kΩ ±5%, Temperature hysteresis (relay supplied with current): 1.6 kΩ ±5%		

General data

Protection degree	IP20	Supply voltage	18...30 VDC
Step response time	≤ 200 ms (10...90%)	Power consumption	<60mA @ 24VDC
Temperature coefficient	350 ppm/K	Configuration	none
Operating altitude	≤ 2000 m		

Insulation coordination

Impulse withstand voltage	4 kV (1.2/50 μs)	EMC standards	EN 61000-6-2, EN 61000-6-4
Surge voltage category	II	Pollution severity	2
Galvanic isolation	between input/output	Insulation voltage	2.2 kVAC, 1 min, 50 Hz
Rated voltage	300 V ACrms		

EPAK-TMR-PTC

Weidmüller Interface GmbH & Co. KG
 Klingenbergstraße 26
 D-32758 Detmold
 Germany

www.weidmueller.com

Technical data

Connection data

Type of connection	Screw connection	Tightening torque, min.	0.4 Nm
Tightening torque, max.	0.6 Nm	Clamping range, rated connection	2 mm ²
Clamping range, min.	0.5 mm ²	Clamping range, max.	2 mm ²
Wire connection cross section AWG, min.	AWG 30	Wire connection cross section AWG, max.	AWG 14

Classifications

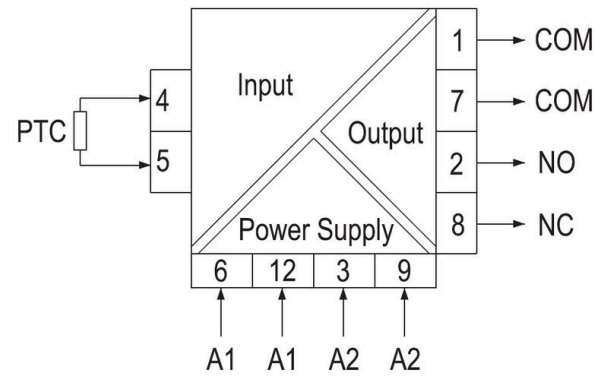
ETIM 8.0	EC002919	ETIM 9.0	EC002919
ETIM 10.0	EC002919	ECLASS 14.0	27-21-01-29
ECLASS 15.0	27-21-01-29		

EPAK-TMR-PTC

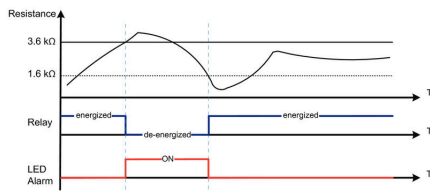
Weidmüller Interface GmbH & Co. KG
 Klingenbergstraße 26
 D-32758 Detmold
 Germany

www.weidmueller.com

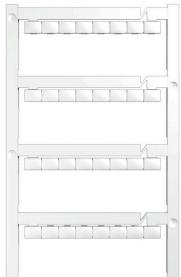
Drawings



Triggering characteristic



Blank



The Dekafix (DEK) marker is the universal marker for all conductor and plug-in connectors as well as for electronic sub-assemblies. The system is ideal for short number sequences and covers a wide range of ready-printed markers.

Strips for fast installation in only one work step. The printing is easy to read, rich in contrast and available in various widths.

- Large range of ready-to-use markers
 - Strips for fast installation
 - Terminal markers, suitable for all Weidmüller cable connectors
 - Available as blank MultiCard or with standard printing
- For custom printing: Please send us a file of our labeling software M-Print PRO or M-Print PRO Online (without installation) for your labeling specifications.

General ordering data

Type	DEK 5/7.5 MC NE WS	Version	
Order No.	1720620000		Dekafix, Terminal marker, 5 x 7.5 mm, Pitch in mm (P): 7.50
GTIN (EAN)	4008190362300		Weidmueller, white
Qty.	320 ST		