

EPAK-CM-CO-H

Weidmüller Interface GmbH & Co. KG

Klingenbergstraße 26

D-32758 Detmold

Germany

www.weidmueller.com



The analogue converters of the EPAK series are characterised by their compact design.

The wide range of functions available with this series of analogue converters make them suitable for applications which do not require international approvals.

Properties:

- Safe isolation, conversion and monitoring of your analogue signals
- Configuration of the input and output parameters directly on the device via DIP switches
- No international approvals
- High interference resistance

General ordering data

Order No.	7760054300
Type	EPAK-CM-CO-H
GTIN (EAN)	6944 169742385
Qty.	1 items

Technical data

Approvals

Approvals



ROHS Conform

Dimensions and weights

Depth	89 mm	Depth (inches)	3.5039 inch
Height	90 mm	Height (inches)	3.5433 inch
Width	17.5 mm	Width (inches)	0.689 inch
Length	100 mm	Length (inches)	3.937 inch
Diameter	2 mm	Net weight	80 g

Temperatures

Storage temperature	-40 °C...85 °C	Operating temperature	-20 °C...60 °C
Humidity	5 - 95% rel. humidity		

Probability of failure

SIL in compliance with IEC 61508	None	MTTF	1 a
----------------------------------	------	------	-----

Environmental Product Compliance

RoHS Compliance Status	Compliant
REACH SVHC	Lead 7439-92-1
SCIP	6a722fc5-2d22-41b4-9544-5b95e45a4b77

Input

Input measurement range	0...5/10 A AC (RMS) or DC	Input current	0.1...1A AC/DC, 0.5...5A AC/DC
Overload behaviour	Surge current cut-out with self-reset		

Output

load impedance voltage	≤ 500 Ω	Load impedance current	≤ 500 Ω
Type	Current output	Output current	4...20 mA, Alarm output: 22 mA (measurement range exceeded / incorrect input type)

Output (digital)

Rated switching current	0 A	Number of digital outputs	0
Max. switching voltage, AC	0 V	Max. switching voltage, DC	0 V
Alarm function	No supply voltage		

Output (analogue)

Number analogue outputs	1	Output current	4...20 mA
-------------------------	---	----------------	-----------

EPAK-CM-CO-H

Weidmüller Interface GmbH & Co. KG

Klingenbergstraße 26

D-32758 Detmold

Germany

www.weidmueller.com

Technical data

General data

Accuracy	± 0.5 % of measuring range	Protection degree	IP20
Supply voltage	18...30 VDC	Linearity	<0.1 % typ.
Step response time	≤ 300 ms (RMS)	Current consumption	110 mA
Mounting rail	TS 35	Power consumption	≤ 100 mA @ 24 VDC
Temperature coefficient	≤ 250 ppm/K	Nominal power consumption	1 VA
Configuration	DIP switch and potentiometer	Operating altitude	≤ 2000 m
Power consumption, max.	1 W		

Insulation coordination

Impulse withstand voltage	4 kV (1.2/50 µs)	EMC standards	IEC 61000-6 /-2, IEC 61000-6-4
Test voltage	4 kV	Surge voltage category	II
Pollution severity	2	Galvanic isolation	between input/output/supply
Tolerance class	1	Insulation voltage	2.2 kVAC, 1 min, 50 Hz
Rated voltage	300 V ACrms		

Connection data

Type of connection	Screw connection	Tightening torque, min.	0.4 Nm
Tightening torque, max.	0.6 Nm	Clamping range, rated connection	2 mm ²
Clamping range, min.	0.5 mm ²	Clamping range, max.	2 mm ²
Wire connection cross section AWG, min.	AWG 30	Wire connection cross section AWG, max.	AWG 14
Wire cross-section, solid, min.	2 mm ²	Wire cross-section, solid, max.	2.5 mm ²
Wire connection cross section, finely stranded, min.	2 mm ²	Wire connection cross section, finely stranded, max.	2 mm ²
Wire connection cross-section, finely stranded with wire-end ferrules DIN 46228/4, min.	2 mm ²	Wire connection cross-section, finely stranded with wire-end ferrules DIN 46228/4, max.	2 mm ²

Classifications

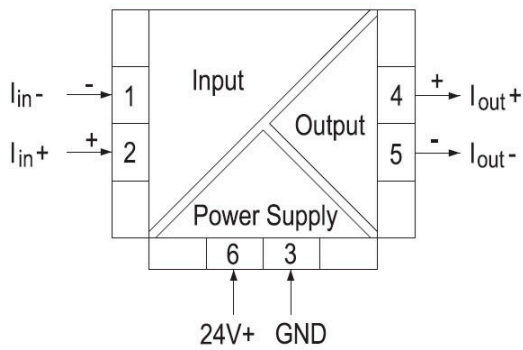
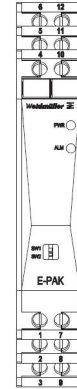
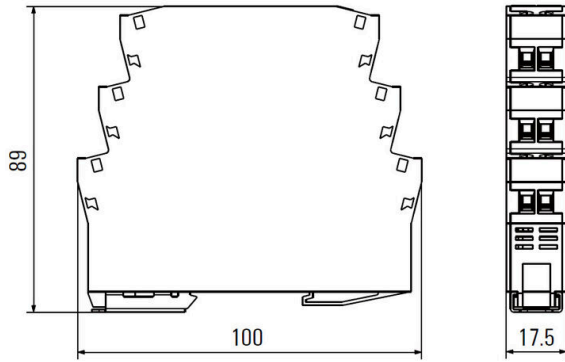
ETIM 8.0	EC002475	ETIM 9.0	EC002475
ETIM 10.0	EC002475	ECLASS 14.0	27-21-01-23
ECLASS 15.0	27-21-01-23		

EPAK-CM-CO-H

Weidmüller Interface GmbH & Co. KG
Klingenbergstraße 26
D-32758 Detmold
Germany

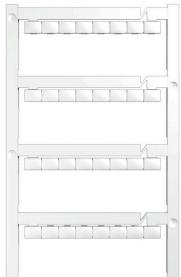
Drawings

www.weidmueller.com



Accessories

Blank



The Dekafix (DEK) marker is the universal marker for all conductor and plug-in connectors as well as for electronic sub-assemblies. The system is ideal for short number sequences and covers a wide range of ready-printed markers.

Strips for fast installation in only one work step. The printing is easy to read, rich in contrast and available in various widths.

- Large range of ready-to-use markers
 - Strips for fast installation
 - Terminal markers, suitable for all Weidmüller cable connectors
 - Available as blank MultiCard or with standard printing
- For custom printing: Please send us a file of our labeling software M-Print PRO or M-Print PRO Online (without installation) for your labeling specifications.

General ordering data

Type	DEK 5/7.5 MC NE WS	Version	
Order No.	1720620000		Dekafix, Terminal marker, 5 x 7.5 mm, Pitch in mm (P): 7.50
GTIN (EAN)	4008190362300		Weidmueller, white
Qty.	320 ST		