

## EPAK-VMR-1PH-300-230V

**Weidmüller Interface GmbH & Co. KG**  
 Klingenbergstraße 26  
 D-32758 Detmold  
 Germany

www.weidmueller.com



The analogue converters of the EPAK series are characterised by their compact design. The wide range of functions available with this series of analogue converters make them suitable for applications which do not require international approvals.

#### Properties:

- Safe isolation, conversion and monitoring of your analogue signals
- Configuration of the input and output parameters directly on the device via DIP switches
- No international approvals
- High interference resistance

#### General ordering data

Order No.	7760054245
Type	<a href="#">EPAK-VMR-1PH-300-230V</a>
GTIN (EAN)	6944 169733772
Qty.	1 items

## EPAK-VMR-1PH-300-230V

Weidmüller Interface GmbH & Co. KG  
Klingenbergstraße 26  
D-32758 Detmold  
Germany

www.weidmueller.com

## Technical data

## Approvals

Approvals



ROHS Conform

## Dimensions and weights

Depth	89 mm	Depth (inches)	3.5039 inch
Height	100 mm	Height (inches)	3.937 inch
Width	17.5 mm	Width (inches)	0.689 inch
Length	100 mm	Length (inches)	3.937 inch
Net weight	80 g		

## Temperatures

Storage temperature	-40 °C...85 °C	Operating temperature	-20 °C...60 °C
Humidity at operating temperature	0...95 % (no condensation)		

## Probability of failure

SIL in compliance with IEC 61508 None

## Environmental Product Compliance

RoHS Compliance Status	Compliant
REACH SVHC	Lead 7439-92-1
SCIP	6a722fc5-2d22-41b4-9544-5b95e45a4b77

## Input

Input frequency	40...60 Hz	Input voltage	U1: 30...300 VAC/DC, U2: 6...60 VAC/DC
Input signal	DC, AC (sine)	Input resistance, voltage	1 MΩ±5%

## Output

Number of outputs 1

## Output (digital)

Rated switching current	3 A	Number of digital outputs	1
Max. switching voltage, AC	250 V	Max. switching voltage, DC	30 V
Type	Relay, 1 CO contact	Alarm function	Surge voltage, Undervoltage, Alarm range: 10%...100% *IN, Hysteresis: 5%*UN (fixed), Alarm delay: 0...10 s

## General data

Repeat accuracy	2 % *Urated voltage	Accuracy	Setting tolerance: 5% of UN, Transmission tolerance: 5% of UN
Protection degree	IP20	Supply voltage	85...264 VAC

## EPAK-VMR-1PH-300-230V

**Weidmüller Interface GmbH & Co. KG**

Klingenbergstraße 26  
D-32758 Detmold  
Germany

www.weidmueller.com

## Technical data

Step response time	≤ 200 ms (10...90%)	Power consumption	<60 mA @24 VDC, <9 mA @230 VAC
Temperature coefficient	≤ 250 ppm/K of final value, ± 250 ppm/K, 350 ppm/K	Nominal power consumption	1.5 VA
Configuration	DIP switch and potentiometer	Operating altitude	≤ 2000 m

## Insulation coordination

Impulse withstand voltage	4 kV (1.2/50 µs)	EMC standards	IEC 61000-6-2, IEC 61000-6-4, EN 61326
Surge voltage category	III	Pollution severity	2
Galvanic isolation	between input/output/supply/relay	Insulation voltage	2.2 kVAC, 1 min, 50 Hz
Rated voltage	300 V ACrms		

## Connection data

Type of connection	Screw connection	Tightening torque, min.	0.4 Nm
Tightening torque, max.	0.6 Nm	Clamping range, rated connection	2 mm <sup>2</sup>
Clamping range, min.	0.5 mm <sup>2</sup>	Clamping range, max.	2 mm <sup>2</sup>
Wire connection cross section AWG, min.	AWG 30	Wire connection cross section AWG, max.	AWG 14

## Classifications

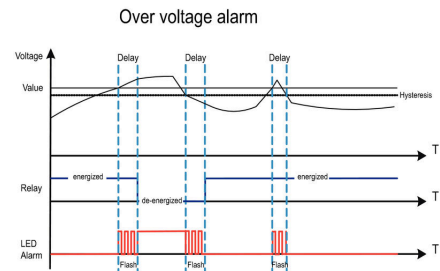
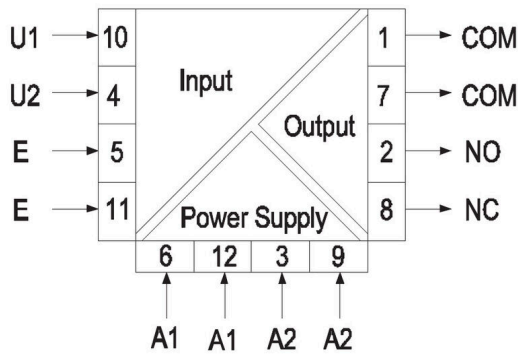
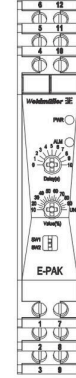
ETIM 8.0	EC002654	ETIM 9.0	EC002654
ETIM 10.0	EC002654	ECLASS 14.0	27-21-01-22
ECLASS 15.0	27-21-01-22		

**EPAK-VMR-1PH-300-230V**

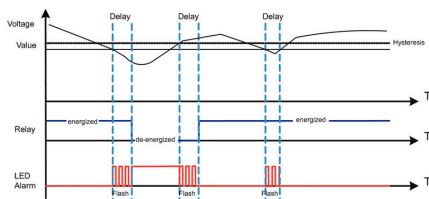
**Weidmüller Interface GmbH & Co. KG**  
 Klingenbergstraße 26  
 D-32758 Detmold  
 Germany

www.weidmueller.com

**Drawings**



Under voltage alarm



## Accessories

### Blank



The Dekafix (DEK) marker is the universal marker for all conductor and plug-in connectors as well as for electronic sub-assemblies. The system is ideal for short number sequences and covers a wide range of ready-printed markers.

Strips for fast installation in only one work step. The printing is easy to read, rich in contrast and available in various widths.

- Large range of ready-to-use markers
  - Strips for fast installation
  - Terminal markers, suitable for all Weidmüller cable connectors
  - Available as blank MultiCard or with standard printing
- For custom printing: Please send us a file of our labeling software M-Print PRO or M-Print PRO Online (without installation) for your labeling specifications.

### General ordering data

Type	DEK 5/7.5 MC NE WS	Version	
Order No.	<a href="#">1720620000</a>		Dekafix, Terminal marker, 5 x 7.5 mm, Pitch in mm (P): 7.50
GTIN (EAN)	4008190362300		Weidmueller, white
Qty.	320 ST		