

EPAK-RTI-CO-S

Weidmüller Interface GmbH & Co. KG

Klingenbergstraße 26

D-32758 Detmold

Germany

www.weidmueller.com



The analogue converters of the EPAK series are characterised by their compact design.

The wide range of functions available with this series of analogue converters make them suitable for applications which do not require international approvals.

Properties:

- Safe isolation, conversion and monitoring of your analogue signals
- Configuration of the input and output parameters directly on the device via DIP switches
- No international approvals
- High interference resistance

General ordering data

Version	Temperature transducer, Input : PT100 , Output : 4-20 mA
Order No.	7760054242
Type	EPAK-RTI-CO-S
GTIN (EAN)	6944 1697 16409
Qty.	1 items

Technical data

Approvals

Approvals



ROHS Conform

Dimensions and weights

Depth	89 mm	Depth (inches)	3.5039 inch
Height	100 mm	Height (inches)	3.937 inch
Width	17.5 mm	Width (inches)	0.689 inch
Length	100 mm	Length (inches)	3.937 inch
Net weight	80 g		

Temperatures

Storage temperature	-40 °C...85 °C	Operating temperature	-20 °C...60 °C
---------------------	----------------	-----------------------	----------------

Probability of failure

MTBF	88 a
------	------

Environmental Product Compliance

RoHS Compliance Status	Compliant
REACH SVHC	Lead 7439-92-1
SCIP	6a722fc5-2d22-41b4-9544-5b95e45a4b77

Input

Number inputs	1	Temperature input range	PT100: -200°C...850 °C
---------------	---	-------------------------	------------------------

Output

Number of outputs	1	Load impedance current	≤ 500 Ω
Output current	0(4)...20 mA		

General data

Accuracy	<0.2% of output range	Protection degree	IP20
Supply voltage	24 V DC ± 20 %	Step response time	1 s @ temp
Power consumption	<60mA @ 24VDC	Temperature coefficient	≤ 300 ppm/K
Configuration	With free software ACT20P TOOL PACK	Operating altitude	≤ 2000 m

Insulation coordination

Impulse withstand voltage	3 kV (1.2/50µs)	EMC standards	EN 61326
Surge voltage category	III	Pollution severity	2
Galvanic isolation	between input / output / supply	Insulation voltage	1 kV input / output / power supply
Rated voltage	300 V ACrms		

EPAK-RTI-CO-S

Weidmüller Interface GmbH & Co. KG
 Klingenbergstraße 26
 D-32758 Detmold
 Germany

www.weidmueller.com

Technical data

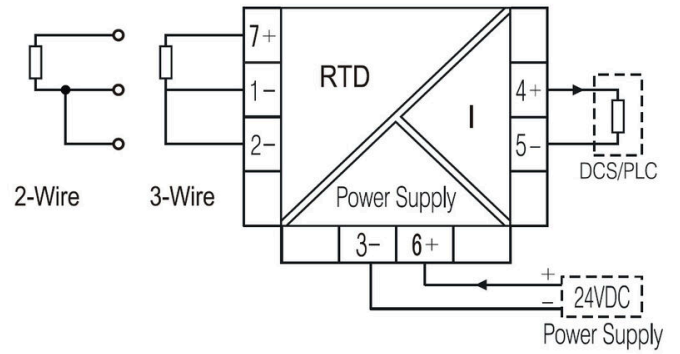
Connection data

Type of connection	Screw connection	Tightening torque, min.	0.4 Nm
Tightening torque, max.	0.6 Nm	Clamping range, rated connection	2 mm ²
Clamping range, min.	0.5 mm ²	Clamping range, max.	2 mm ²
Wire connection cross section AWG, min.	AWG 30	Wire connection cross section AWG, max.	AWG 14

Classifications

ETIM 8.0	EC002919	ETIM 9.0	EC002919
ETIM 10.0	EC002919	ECLASS 14.0	27-21-01-29
ECLASS 15.0	27-21-01-29		

Drawings



Blank



The Dekafix (DEK) marker is the universal marker for all conductor and plug-in connectors as well as for electronic sub-assemblies. The system is ideal for short number sequences and covers a wide range of ready-printed markers.

Strips for fast installation in only one work step. The printing is easy to read, rich in contrast and available in various widths.

- Large range of ready-to-use markers
 - Strips for fast installation
 - Terminal markers, suitable for all Weidmüller cable connectors
 - Available as blank MultiCard or with standard printing
- For custom printing: Please send us a file of our labeling software M-Print PRO or M-Print PRO Online (without installation) for your labeling specifications.

General ordering data

Type	DEK 5/7.5 MC NE WS	Version	
Order No.	1720620000		Dekafix, Terminal marker, 5 x 7.5 mm, Pitch in mm (P): 7.50
GTIN (EAN)	4008190362300		Weidmueller, white
Qty.	320 ST		