

ACT20P-RTI-AO-S

Weidmüller Interface GmbH & Co. KG
Klingenbergstraße 26
D-32758 Detmold
Germany

www.weidmueller.com

Product image, Similar to illustration

ACT20P: The flexible solution

- Precise and highly functional signal converters
- Release levers simplify handling

General ordering data

Version	Temperature converter, Input : Temperature, PT100, Output : 0(4)-20 mA
Order No.	7760054233
Type	ACT20P-RTI-AO-S
GTIN (EAN)	6944 169696411
Qty.	1 items

ACT20P-RTI-AO-S

Weidmüller Interface GmbH & Co. KG
 Klingenbergstraße 26
 D-32758 Detmold
 Germany

www.weidmueller.com

Technical data

Approvals

Approvals



ROHS Conform

Dimensions and weights

Depth	114 mm	Depth (inches)	4.4882 inch
Height	117 mm	Height (inches)	4.6063 inch
Width	12.5 mm	Width (inches)	0.4921 inch
Net weight	110 g		

Temperatures

Storage temperature	-40 °C...85 °C	Operating temperature	-20 °C...60 °C
Humidity	5...95 %, no condensation		

Environmental Product Compliance

RoHS Compliance Status	Compliant with exemption
RoHS Exemption (if applicable/known)	7a, 7cl
REACH SVHC	Lead 7439-92-1
SCIP	2f6dd957-421a-46db-a0c2-cf1609156924

Input

Sensor	2-/3-wire, PT100, Cu50, Cu100	Number inputs	1
Line resistance in measuring circuit	≤ 50 Ω	Temperature input range	Configurable, PT100: -200...+850 °C, min. measurement range 10°C (RTD)

Output

Number of outputs	1	Load impedance current	≤ 550 Ω
Wire break detection	Yes, Output value: 22 mA	Type	active, connected control must be passive
Output current	Adjustable, 0(4)...20 mA		

General data

Accuracy	0.2 °C/0.1% of end value	Protection degree	IP20
Supply voltage	24 V DC ± 20 %	Step response time	≤1s
Current consumption	<50 mA @ IOU = 20 mA	Mounting rail	TS 35
Power consumption	ca. 1.5 W	Temperature coefficient	≤ 100 ppm/K
Configuration	With free software ACT20P TOOL PACK, Requires configuration adapter 8978580000 CBX200 USB, + 2907490000 ADAPTER CBX200 - MINI USB	Operating altitude	≤ 2000 m

ACT20P-RTI-AO-S

Weidmüller Interface GmbH & Co. KG

Klingenbergstraße 26
D-32758 Detmold
Germany

www.weidmueller.com

Technical data

Insulation coordination

Impulse withstand voltage	4 kV (1.2/50 µs)	EMC standards	EN 61326-1
Test voltage	0.3 kV	Surge voltage category	III
Pollution severity	2	Galvanic isolation	between input / output / supply
Insulation voltage	2 kV inputs / outputs / power supply	Rated voltage	300 V

Connection data

Type of connection	Screw connection	Tightening torque, max.	0.6 Nm
Clamping range, rated connection	2.5 mm ²	Clamping range, min.	0.5 mm ²
Clamping range, max.	2.5 mm ²	Wire connection cross section AWG, min.	AWG 30
Wire connection cross section AWG, max.	AWG 14		

Classifications

ETIM 8.0	EC002919	ETIM 9.0	EC002919
ETIM 10.0	EC002919	ECLASS 14.0	27-21-01-29
ECLASS 15.0	27-21-01-29		

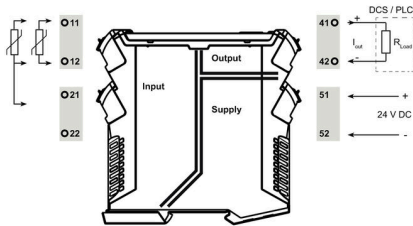
ACT20P-RTI-AO-S

Weidmüller Interface GmbH & Co. KG
 Klingenbergstraße 26
 D-32758 Detmold
 Germany

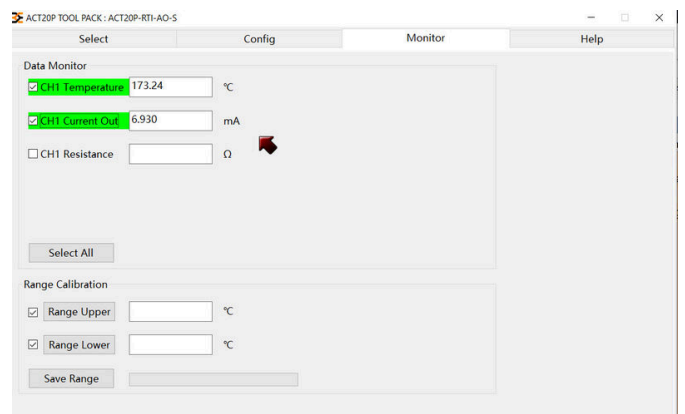
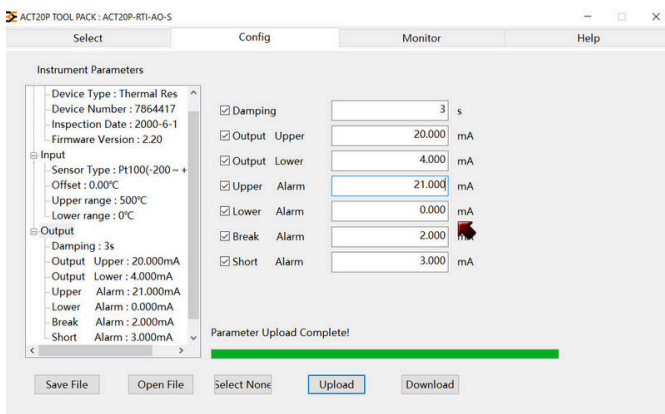
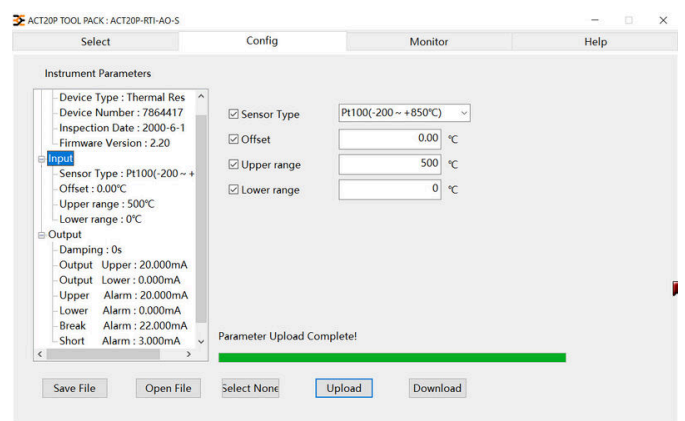
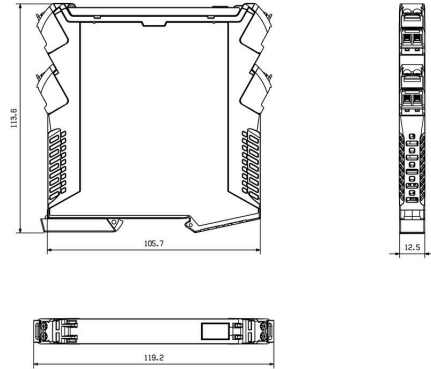
www.weidmueller.com

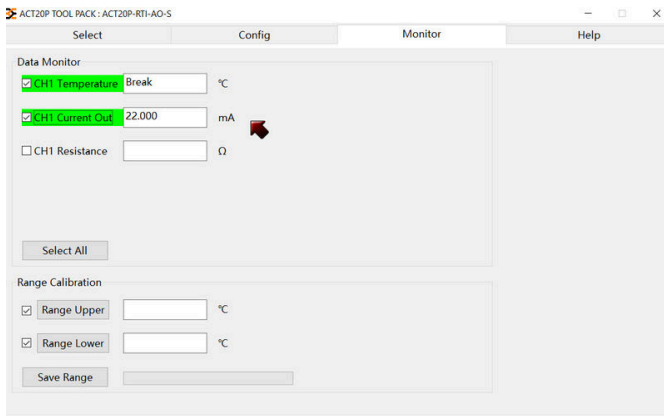
Drawings

Connection diagram



Dimensioned drawing





ACT20P-RTI-AO-S

Weidmüller Interface GmbH & Co. KG
 Klingenbergstraße 26
 D-32758 Detmold
 Germany

www.weidmueller.com

Accessories

Blank



ESG is the tried-and-tested marker in MultiCard format for use on many well-known electrical devices. The result is high-quality device marking with a high-contrast appearance.

Various types are available for devices from manufacturers like Siemens, ABB, Beckhoff etc.

Advantages at a glance:

- Tags for universal usage, self-adhesive or clip-on tags, depending on type
- For aligned equipment, e.g. circuit breakers, we supply ESG markers for clipping onto tag rails
- Individual laser-quality printing according to specifications

For custom printing: Please send us a file of our labeling software M-Print PRO or M-Print PRO Online (without installation) for your labeling specifications.

General ordering data

Type	ESG 6.6/20 BHZ 5.00/04	Version	
Order No.	1082540000	ESG, Device markers x 20 mm, PA 66, Colour: white, pluggable	
GTIN (EAN)	4032248845439		
Qty.	200 ST		
Type	ESG 8/13.5/43.3 SAI AU	Version	
Order No.	1912130000	ESG, Device markers x 13.5 mm, PA 66, Colour: Transparent, pluggable	
GTIN (EAN)	4032248541164		
Qty.	5 ST		

Configuration interfaces



General ordering data

Type	CBX200 USB	Version	
Order No.	8978580000		
GTIN (EAN)	4032248813759		
Qty.	1 ST		
Type	ADAPTER CBX200 - MINI U...	Version	
Order No.	2907490000		
GTIN (EAN)	4099986188617		
Qty.	1 ST		