

ACT20P-RTI-2AO-P

Weidmüller Interface GmbH & Co. KG
Klingenbergstraße 26
D-32758 Detmold
Germany

www.weidmueller.com

Product image, Similar to illustration



ACT20P: The flexible solution

- Precise and highly functional signal converters
- Release levers simplify handling

General ordering data

Version	Temperature converter, Signal duplicator/isolator, Input : Temperature, PT100, Output : 2 x 0(4) - 20 mA
Order No.	7760054187
Type	ACT20P-RTI-2AO-P
GTIN (EAN)	4064675044918
Qty.	1 items

ACT20P-RTI-2AO-P

Weidmüller Interface GmbH & Co. KG
Klingenbergstraße 26
D-32758 Detmold
Germany

www.weidmueller.com

Technical data

Approvals

Approvals



Dimensions and weights

Depth	114 mm	Depth (inches)	4.4882 inch
Height	117 mm	Height (inches)	4.6063 inch
Width	12.5 mm	Width (inches)	0.4921 inch
Net weight	130 g		

Temperatures

Storage temperature	-40 °C...85 °C	Operating temperature	-20 °C...60 °C
Humidity	5...95 %, no condensation		

Environmental Product Compliance

RoHS Compliance Status	Compliant with exemption
RoHS Exemption (if applicable/known)	7a, 7cl
REACH SVHC	Lead 7439-92-1
SCIP	2f6dd957-421a-46db-a0c2-cf1609156924

Input

Sensor	2-/3-wire, PT100, Cu50, Cu100	Number inputs	1
Line resistance in measuring circuit	≤ 50 Ω	Temperature input range	Configurable, PT100: -200...+850 °C, min. measurement range 10°C (RTD)

Output

Number of outputs	2	Load impedance current	per channel, ≤ 300 Ω
Wire break detection	Yes, Output value: 22 mA	Type	active, connected control must be passive
Output current	2 x 0 (4)...20 mA		

General data

Accuracy	0.2 °C / 0.1% of end value	Protection degree	IP20
Supply voltage	24 V DC ± 20 %	Step response time	≤ 1s
Current consumption	<65 mA @ IOU = 20 mA	Mounting rail	TS 35
Power consumption	ca. 1.5 W	Temperature coefficient	≤ 100 ppm/K
Configuration	With free software ACT20P TOOL PACK, Requires configuration adapter 8978580000 CBX200 USB, + 2907490000 ADAPTER CBX200 - MINI USB	Operating altitude	≤ 2000 m

ACT20P-RTI-2AO-P

Weidmüller Interface GmbH & Co. KG
 Klingenbergstraße 26
 D-32758 Detmold
 Germany

www.weidmueller.com

Technical data

Insulation coordination

Impulse withstand voltage	4 kV (1.2/50 µs)	EMC standards	EN 61326-1
Test voltage	0.3 kV	Pollution severity	2
Galvanic isolation	between input/output/ supply	Insulation voltage	2 kV inputs / outputs / power supply
Rated voltage	300 V		

Connection data

Type of connection	PUSH IN	Clamping range, rated connection	2.5 mm ²
Clamping range, min.	0.5 mm ²	Clamping range, max.	2.5 mm ²
Wire connection cross section AWG, min.	AWG 30	Wire connection cross section AWG, max.	AWG 14

Classifications

ETIM 8.0	EC002919	ETIM 9.0	EC002919
ETIM 10.0	EC002919	ECLASS 14.0	27-21-01-29
ECLASS 15.0	27-21-01-29		

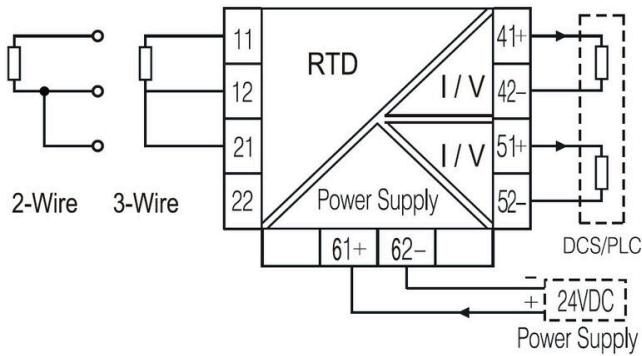
ACT20P-RTI-2AO-P

Weidmüller Interface GmbH & Co. KG
 Klingenbergstraße 26
 D-32758 Detmold
 Germany

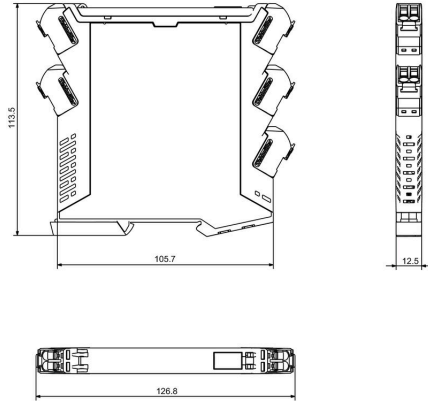
www.weidmueller.com

Drawings

Connection diagram



Dimensioned drawing



PUSH IN technology

