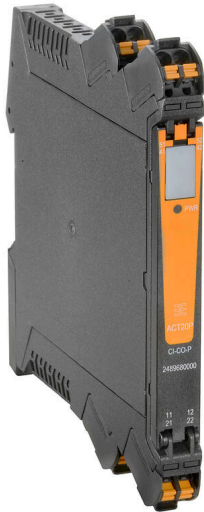


ACT20P-TCI-AO-P

Weidmüller Interface GmbH & Co. KG
Klingenbergstraße 26
D-32758 Detmold
Germany

www.weidmueller.com

Product image, Similar to illustration



ACT20P: The flexible solution

- Precise and highly functional signal converters
- Release levers simplify handling

General ordering data

Version	Temperature converter, Input : Temperature, thermocouple, Output : 0(4)-20 mA
Order No.	7760054184
Type	ACT20P-TCI-AO-P
GTIN (EAN)	4064675044581
Qty.	1 items

ACT20P-TCI-AO-P

Weidmüller Interface GmbH & Co. KG
 Klingenbergstraße 26
 D-32758 Detmold
 Germany

www.weidmueller.com

Technical data

Approvals

Approvals



Dimensions and weights

Net weight 115 g

Temperatures

Storage temperature	-40 °C...85 °C	Operating temperature	-20 °C...60 °C
Humidity	5...95 %, no condensation		

Environmental Product Compliance

RoHS Compliance Status	Compliant with exemption
RoHS Exemption (if applicable/known)	7a, 7cl
REACH SVHC	Lead 7439-92-1
SCIP	2f6dd957-42 1a-46db-a0c2-cf1609156924

Input

Sensor	Thermocouple Type T,E,J,K,N,R,S,B	Number inputs	1
Temperature input range	Configurable, T: (-200...+400 °C), E: (-100...+1000 °C), J: (-100...+1200 °C), K: (-180...+1372 °C), N: (-180...+1300 °C), R: (-50...+1760 °C), S: (-50...+1760 °C), B: +100...+1820 °C, min. measurement range 50°C (TC)		

Output

Number of outputs	1	Load impedance current	≤ 550 Ω
Wire break detection	Yes, Output value: 22 mA	Type	active, connected control must be passive
Output current	0(4)...20 mA		

General data

Accuracy	0.5°C / 0.1% of end value	Protection degree	IP20
Supply voltage	24 V DC ± 20 %	Step response time	≤ 1s
Current consumption	<50 mA @ IOU _T = 20 mA	Mounting rail	TS 35
Power consumption	max. 1.2 W	Configuration	With free software ACT20P TOOL PACK, Requires configuration adapter 8978580000 CBX200 USB, + 2907490000 ADAPTER CBX200 - MINI USB
Operating altitude	≤ 2000 m		

ACT20P-TCI-AO-P

Weidmüller Interface GmbH & Co. KG

Klingenbergstraße 26
D-32758 Detmold
Germany

www.weidmueller.com

Technical data

Insulation coordination

Impulse withstand voltage	4 kV (1.2/50 µs)	EMC standards	EN 61326-1
Test voltage	0.3 kV	Galvanic isolation	3-way isolator
Insulation voltage	2 kV inputs / outputs / power supply	Rated voltage	300 V

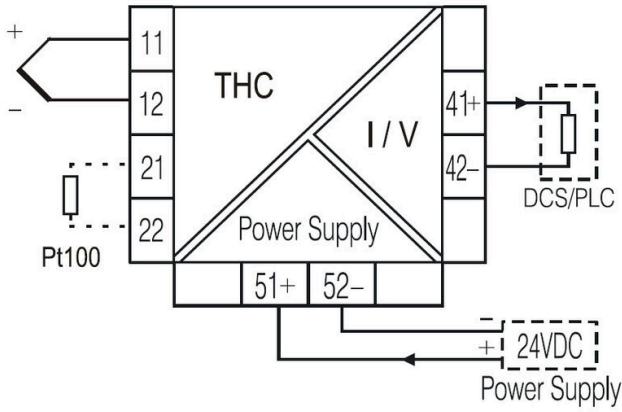
Connection data

Type of connection	PUSH IN	Clamping range, rated connection	2.5 mm ²
Clamping range, min.	0.5 mm ²	Clamping range, max.	2.5 mm ²
Wire connection cross section AWG, min.	AWG 30	Wire connection cross section AWG, max.	AWG 14

Classifications

ETIM 8.0	EC002919	ETIM 9.0	EC002919
ETIM 10.0	EC002919	ECLASS 14.0	27-21-01-29
ECLASS 15.0	27-21-01-29		

Connection diagram



Dimensioned drawing



PUSH IN technology

