

ACT20P-VI3-VO3-S

Weidmüller Interface GmbH & Co. KG
Klingenbergstraße 26
D-32758 Detmold
Germany

www.weidmueller.com

Product image

ACT20P: The flexible solution

- Precise and highly functional signal converters
- Release levers simplify handling

General ordering data

Version	Analogue isolating amplifier, Input : -10...0...+10 V, Output : -10...0...+10 V, Signal converter/isolator
Order No.	7760054131
Type	ACT20P-VI3-VO3-S
GTIN (EAN)	6944 16968453 1
Qty.	1 items

ACT20P-VI3-VO3-S

Weidmüller Interface GmbH & Co. KG
Klingenbergstraße 26
D-32758 Detmold
Germany

www.weidmueller.com

Technical data

Approvals

Approvals



ROHS Conform

Dimensions and weights

Depth	114 mm	Depth (inches)	4.4882 inch
Height	117.2 mm	Height (inches)	4.6142 inch
Width	12.5 mm	Width (inches)	0.4921 inch
Net weight	105 g		

Temperatures

Storage temperature	-40 °C...85 °C	Operating temperature	-20 °C...60 °C
Humidity at operating temperature	0...95 % (no condensation)	Humidity	5...95 %, no condensation

Probability of failure

SIL in compliance with IEC 61508 None

Environmental Product Compliance

RoHS Compliance Status	Compliant with exemption
RoHS Exemption (if applicable/known)	7a, 7cl
REACH SVHC	Lead 7439-92-1
SCIP	2f6dd957-421a-46db-a0c2-cf1609156924

Input

Sensor	Voltage source	Number inputs	1
Input voltage	-10 V...0...+10 V	Input resistance, voltage	≥ 100 kΩ

Output

Number of outputs	1	load impedance voltage	≥ 2 kΩ
Load impedance current	≤ 600 Ω	Type	active, connected control must be passive
Output voltage, note	-10 V...0...+10 V		

Output (analogue)

Number analogue outputs 1

General data

Accuracy	<0.1 % of end value	Protection degree	IP20
Supply voltage	24 V DC ± 20 %	Step response time	≤ 100 ms
Current consumption	30 mA	Mounting rail	TS 35
Temperature coefficient	≤ 100 ppm/K	Nominal power consumption	2 VA
Configuration	none	Operating altitude	≤ 2000 m

ACT20P-VI3-VO3-S

Weidmüller Interface GmbH & Co. KG

Klingenbergstraße 26
D-32758 Detmold
Germany

www.weidmueller.com

Technical data

Insulation coordination

Impulse withstand voltage	4 kV (1.2/50 µs)	EMC standards	EN 61326-1
Test voltage	0.3 kV	Surge voltage category	III
Pollution severity	2	Galvanic isolation	3-way isolator
Insulation voltage	2 kV inputs / outputs / power supply		

Connection data

Type of connection	Screw connection	Clamping range, rated connection	2.5 mm ²
Clamping range, min.	0.5 mm ²	Clamping range, max.	2.5 mm ²
Wire cross-section, solid, min.	0.5 mm ²	Wire cross-section, solid, max.	2.5 mm ²

Part description

Product description	The fixed DC repeater ACT20P-VI3-VO3-S isolates analogue bipolar standard voltage signals. An analogue bipolar input voltage signal is linearly converted into an analogue bipolar output voltage signal and galvanically isolated. The power supply is galvanically isolated from input and output (3-way isolation). Features Front LED indicates operation status. 3-way galvanic isolation between input, output and power supply.
---------------------	--

Classifications

ETIM 8.0	EC002653	ETIM 9.0	EC002653
ETIM 10.0	EC002653	ECLASS 14.0	27-21-01-20
ECLASS 15.0	27-21-01-20		

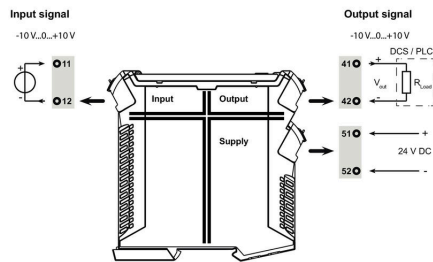
ACT20P-VI3-VO3-S

Weidmüller Interface GmbH & Co. KG
Klingenbergstraße 26
D-32758 Detmold
Germany

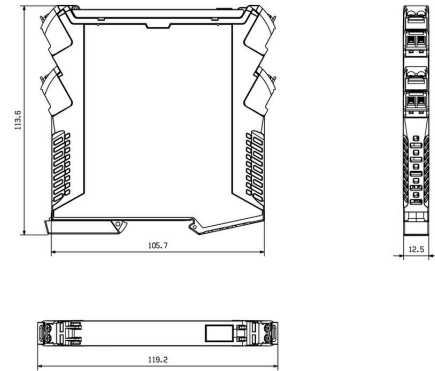
www.weidmueller.com

Drawings

Connection diagram



Dimensioned drawing



ACT20P-VI3-VO3-S

Weidmüller Interface GmbH & Co. KG

Klingenbergstraße 26

D-32758 Detmold

Germany

Accessories

www.weidmueller.com

Blank



ESG is the tried-and-tested marker in MultiCard format for use on many well-known electrical devices. The result is high-quality device marking with a high-contrast appearance.

Various types are available for devices from manufacturers like Siemens, ABB, Beckhoff etc.

Advantages at a glance:

- Tags for universal usage, self-adhesive or clip-on tags, depending on type
- For aligned equipment, e.g. circuit breakers, we supply ESG markers for clipping onto tag rails
- Individual laser-quality printing according to specifications

For custom printing: Please send us a file of our labeling software M-Print PRO or M-Print PRO Online (without installation) for your labeling specifications.

General ordering data

Type	ESG 8/13.5/43.3 SAI AU	Version
Order No.	1912130000	ESG, Device markers x 13.5 mm, PA 66, Colour: Transparent, pluggable
GTIN (EAN)	4032248541164	
Qty.	5 ST	
Type	ESG 6.6/11 BHZ 5.00/02	Version
Order No.	1082490000	ESG, Device markers x 11 mm, PA 66, Colour: white, pluggable
GTIN (EAN)	4032248845330	
Qty.	200 ST	