

EM111-RTU-2P

Weidmüller Interface GmbH & Co. KG
Klingenbergstraße 26
D-32758 Detmold
Germany

www.weidmueller.com



Core functions of energy data acquisition

The BasicLine devices measure power characteristics of single-phase or three-phase loads.

For this purpose, basic values are provided to make the energy demand of a system transparent.

The essential values are displayed directly on the unit and communicated via a network.

Our devices are suitable either for mounting on top hat rails or in the front panel.

By focusing on core functions, the BasicLine devices have a very good cost-benefit ratio.

General ordering data

Version	Power measurement/display for 1-phase mains, 45 A, direct measurement, pulse output, Modbus RTU
Order No.	7760051001
Type	EM111-RTU-2P
GTIN (EAN)	6944169818172
Qty.	1 items

EM111-RTU-2P

Weidmüller Interface GmbH & Co. KG
Klingenbergstraße 26
D-32758 Detmold
Germany

www.weidmueller.com

Technical data

Approvals

Approvals



ROHS Conform

Dimensions and weights

Depth	62 mm	Depth (inches)	2.4409 inch
Height	90 mm	Height (inches)	3.5433 inch
Width	17.5 mm	Width (inches)	0.689 inch
Net weight	90 g		

Temperatures

Storage temperature	-40 °C...70 °C	Operating temperature	-25 °C...55 °C
Humidity	0...90 % (no condensation)		

Environmental Product Compliance

RoHS Compliance Status	Compliant with exemption
RoHS Exemption (if applicable/known)	6c, 7a, 7cl
REACH SVHC	Lead 7439-92-1

Measuring current input

Housing main material	Plastic	Rated current	5 A
AC input cable connection	1 removable 3-pin terminal block	Current-measuring channels	1
Measuring accuracy for current	0.5 %	Max. current	45 A

Measuring voltage input

Low voltage network	1 phase 2 wire (L + N)	Voltage type	AC
Frequency range, max.	60 Hz	Frequency range, min.	50 Hz
Measuring accuracy for voltage	0.5 %	Three-wire system	No
Measurement range, voltage L-N, AC	176...276 V	Four-wire system	No

Communication

Baud rate	≤ 9600 Bd	Communication	Bi-directional
Parity	none, even, odd	Stop bits	1, 2
Addressing	1 - 247	Interface	RS485
Protocol	Modbus RTU		

Inputs/outputs

Input type	1 phase AC (L1, N)	Digital output configurable	Yes
Number of digital inputs	0	Number of digital outputs	0
Number of pulse outputs	2		

Measurement data recording

Update interval register	100 ms	Software	EM configuration tools
--------------------------	--------	----------	------------------------

EM111-RTU-2P

Weidmüller Interface GmbH & Co. KG
 Klingenbergstraße 26
 D-32758 Detmold
 Germany

www.weidmueller.com

Technical data

Technical data

Display value	Voltage, current measured value, Apparent power, Reactive power, Power factor, Frequency, Import / export active power demand, Total import / export active energy, Total import / export reactive energy, Total system power demand	Version	Power measurement/ display for 1-phase mains, 45 A, direct measurement, pulse output,, Modbus RTU
Input frequency	AC: 50 Hz (arithmetic average)	Display	LCD
Type of mounting	DIN rail	Protection degree	Front panel: IP51, IP20
Pollution severity	2	Rated current	5 A
Power factor input	1 %	Measurement accuracy	Class 1 (IEC 62053-21), Class B (EN 50470-3), 0.5% in relation to final value (U / I)
Max. current	45 A	Display monitoring (monitor)	LCD
Measurement range, voltage L-N, AC	176...276 V	Surge voltage category	II
Three-wire system	No	Four-wire system	No
Sampling frequency 50/60 Hz	3.2 kHz	Measurement result per second	100 ms
Current-measuring channels	1	Measuring accuracy for voltage	0.5 %
Measuring accuracy for current	0.5 %	Measurement accuracy for active energy (kWh, .../5 A)	Class 1 (IEC 62053-21), Class B (EN 50470-3)

Insulation coordination

Impulse withstand voltage	6 kV (1.2/50 µs)	Surge voltage category	II
Pollution severity	2	Insulation voltage input or output/supply	4 kVeff / 1 min.

Connection data

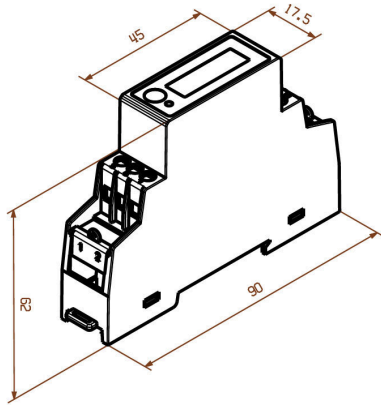
Stripping length	8 mm	Type of connection	Screw connection
Wire cross-section, solid, min.	2.5 mm ²	Wire cross-section, solid, max.	10 mm ²
Wire connection cross section, finely stranded, min.	2.5 mm ²	Wire connection cross section, finely stranded, max.	10 mm ²
Wire connection cross section, finely stranded, two clampable wires, min.	2.5 mm ²	Wire cross-section, finely stranded, two clampable wires, max.	10 mm ²

Classifications

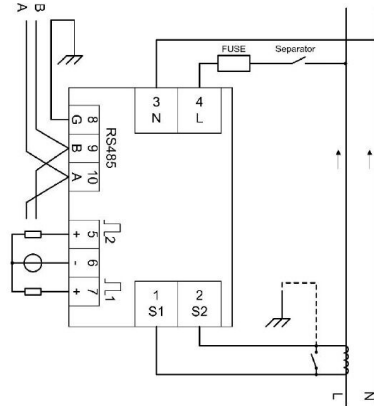
ETIM 8.0	EC002301	ETIM 9.0	EC002301
ETIM 10.0	EC002301	ECLASS 14.0	27-14-23-30
ECLASS 15.0	27-14-23-30		

Drawings

Dimensioned drawing



Wiring



Layout



Full screen