

**SSS RELAIS 24V/230V 1AAC**

**Weidmüller Interface GmbH & Co. KG**  
 Klingenbergstraße 26  
 D-32758 Detmold  
 Germany

www.weidmueller.com



Similar to illustration

Individual relays for TERMSERIES

- Solid-state relays
- Different output versions

**General ordering data**

Version	TERMSERIES, Solid-state relay, Rated control voltage: 18 V DC...24 V DC...30 V DC , Rated switching voltage: 24...240 V AC, Continuous current: 1 A, Plug-in connection
Order No.	<a href="#">4061210000</a>
Type	SSS RELAIS 24V/230V 1AAC
GTIN (EAN)	4032248643813
Qty.	20 items

## SSS RELAIS 24V/230V 1AAC

Weidmüller Interface GmbH & Co. KG  
Klingenbergstraße 26  
D-32758 Detmold  
Germany

www.weidmueller.com

## Technical data

## Approvals

ROHS	Conform
------	---------

## Dimensions and weights

Depth	15 mm	Depth (inches)	0.5906 inch
Height	28 mm	Height (inches)	1.1024 inch
Width	5 mm	Width (inches)	0.1968 inch
Net weight	3.53 g		

## Temperatures

Storage temperature	-40 °C...70 °C	Ambient temperature	-20 °C...60 °C
Operating temperature		Humidity	40 °C / 93 % rel. humidity, no condensation

## Probability of failure

MTTF	1162 a
------	--------

## Environmental Product Compliance

RoHS Compliance Status	Compliant
REACH SVHC	No SVHC above 0.1 wt%

## Control side

Rated control voltage	18 V DC...24 V DC...30 V DC	Rated control voltage (control input)	18 V DC...24 V DC...30 V DC
Nominal control current	7 mA DC (±10 %)	Power rating	170 mW
Status indicator	No		

## Load side

Rated switching voltage	24...240 V AC	Continuous current	1 A
Rated switching current	1 A	Inrush current	15 A / 10 ms
Switch-on delay	<11 ms	Switch-off delay	<11 ms
Voltage drop at max. load	≤ 1 V	Leakage current	<1.5 mA
Min. switching current	20 mA	Short-circuit-proof	No
Protective circuit, load side	RC element	Contact type	1 NO contact (Triac (zero-cross switch))
Output voltage frequency range	50 / 60 Hz		

## General data

Colour	black
--------	-------

## Insulation coordination

Clearance and creepage distances for control side - load side	≥ 5.5 mm	Dielectric strength for control side - load side	2.5 kVeff
---	----------	--	-----------

## Connection data

Wire connection method	Plug-in connection
------------------------	--------------------

**SSS RELAIS 24V/230V 1AAC**

**Weidmüller Interface GmbH & Co. KG**  
Klingenbergstraße 26  
D-32758 Detmold  
Germany

[www.weidmueller.com](http://www.weidmueller.com)

**Technical data**

**Classifications**

ETIM 8.0	EC001504	ETIM 9.0	EC001504
ETIM 10.0	EC001504	ECLASS 14.0	27-37-16-04
ECLASS 15.0	27-37-16-04		

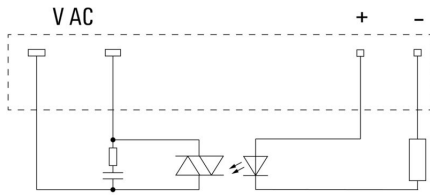
**SSS RELAIS 24V/230V 1AAC**

**Weidmüller Interface GmbH & Co. KG**  
 Klingenbergstraße 26  
 D-32758 Detmold  
 Germany

www.weidmueller.com

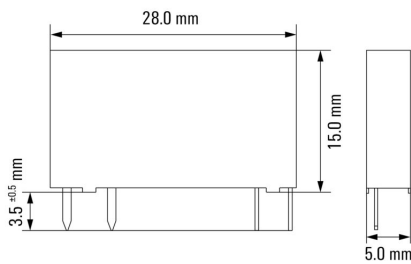
Drawings

Wiring diagram



View of pins from below

Dimensional drawing



Graph

Signal characteristics of zero cross switching solid-state relays



Shown at an example with resistive load.  
 1. Switches on at first zero cross of mains voltage while control input gets signal.  
 2. Switches off at next zero cross of mains current after control input signal was switched off.  
 Switching DC voltages is not possible with this solid-state relays.

## SSS RELAIS 24V/230V 1AAC

**Weidmüller Interface GmbH & Co. KG**  
 Klingenbergstraße 26  
 D-32758 Detmold  
 Germany

www.weidmueller.com

## Counterpart

## Screw connection



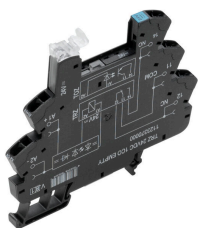
TERMSERIES empty sockets with:

- 1 CO contact
- Unique multi-voltage input from 24 to 230 V UC
- Input voltages with coloured marking: DC: blue, UC: white
- Due to high-quality design and no sharp edges no risk of injuries during installation
- Partition plates for optical separation and reinforcement of insulation

## General ordering data

Type	TRS 24VDC 1CO EMPTY	Version
Order No.	<a href="#">1123240000</a>	TERMSERIES, Relay socket, Number of contacts: 1, CO contact, Rated control voltage: 24 V DC $\pm 20\%$ , Continuous current: 10 A, Screw connection
GTIN (EAN)	4032248905485	
Qty.	10 ST	
Type	TRS 24VUC 1CO EMPTY	Version
Order No.	<a href="#">1123250000</a>	TERMSERIES, Relay socket, Number of contacts: 1, CO contact, Rated control voltage: 24 V UC $\pm 10\%$ , Continuous current: 10 A, Screw connection
GTIN (EAN)	4032248905713	
Qty.	10 ST	
Type	TRS 48VUC 1CO EMPTY	Version
Order No.	<a href="#">1123270000</a>	TERMSERIES, Relay socket, Number of contacts: 1, CO contact, Rated control voltage: 48 V UC $\pm 10\%$ , Continuous current: 10 A, Screw connection
GTIN (EAN)	4032248905423	
Qty.	10 ST	
Type	TRS 24-230VUC 1CO EMPTY	Version
Order No.	<a href="#">1123330000</a>	TERMSERIES, Relay socket, Number of contacts: 1, CO contact, Rated control voltage: 24...230 V UC $\pm 10\%$ , Continuous current: 10 A, Screw connection
GTIN (EAN)	4032248905614	
Qty.	10 ST	

## Tension clamp connection



TERMSERIES empty sockets with:

- 1 CO contact
- Unique multi-voltage input from 24 to 230 V UC
- Input voltages with coloured marking: DC: blue, UC: white
- Due to high-quality design and no sharp edges no risk of injuries during installation
- Partition plates for optical separation and reinforcement of insulation

## General ordering data

Type	TRZ 24VDC 1CO EMPTY	Version
Order No.	<a href="#">1123370000</a>	TERMSERIES, Relay socket, Number of contacts: 1, CO contact, Rated control voltage: 24 V DC $\pm 20\%$ , Continuous current: 10 A, Tension-clamp connection
GTIN (EAN)	4032248905324	
Qty.	10 ST	
Type	TRZ 24VUC 1CO EMPTY	Version
Order No.	<a href="#">1123380000</a>	TERMSERIES, Relay socket, Number of contacts: 1, CO contact, Rated control voltage: 24 V UC $\pm 10\%$ , Continuous current: 10 A, Tension-clamp connection
GTIN (EAN)	4032248905195	
Qty.	10 ST	

## SSS RELAIS 24V/230V 1AAC

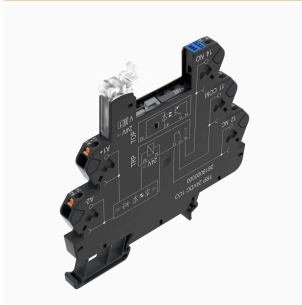
**Weidmüller Interface GmbH & Co. KG**  
 Klingenbergstraße 26  
 D-32758 Detmold  
 Germany

## Counterpart

www.weidmueller.com

Type	TRZ 48VUC 1CO EMPTY	Version
Order No.	<a href="#">1123390000</a>	TERMSERIES, Relay socket, Number of contacts: 1, CO contact, Rated
GTIN (EAN)	4032248905331	control voltage: 48 V UC $\pm 10\%$ , Continuous current: 10 A, Tension-
Qty.	10 ST	clamp connection
Type	TRZ 24-230VUC 1CO EMPTY	Version
Order No.	<a href="#">1123450000</a>	TERMSERIES, Relay socket, Number of contacts: 1, CO contact, Rated
GTIN (EAN)	4032248905508	control voltage: 24...230 V UC $\pm 10\%$ , Continuous current: 10 A,
Qty.	10 ST	Tension-clamp connection

## PUSH IN connection



TERMSERIES empty sockets with:

- 1 CO contact
- Unique multi-voltage input from 24 to 230 V UC
- Input voltages with coloured marking: DC: blue, UC: white
- Due to high-quality design and no sharp edges no risk of injuries during installation
- Partition plates for optical separation and reinforcement of insulation

## General ordering data

Type	TRP 24VDC 1CO EMPTY	Version
Order No.	<a href="#">2618870000</a>	TERMSERIES, Relay socket, Number of contacts: 1, CO contact, Rated
GTIN (EAN)	4050118669961	control voltage: 24 V DC $\pm 20\%$ , Continuous current: 10 A, PUSH IN
Qty.	10 ST	
Type	TRP 24VUC 1CO EMPTY	Version
Order No.	<a href="#">2618910000</a>	TERMSERIES, Relay socket, Number of contacts: 1, CO contact, Rated
GTIN (EAN)	4050118669923	control voltage: 24 V UC $\pm 10\%$ , Continuous current: 10 A, PUSH IN
Qty.	10 ST	
Type	TRP 48VUC 1CO EMPTY	Version
Order No.	<a href="#">2618920000</a>	TERMSERIES, Relay socket, Number of contacts: 1, CO contact, Rated
GTIN (EAN)	4050118669916	control voltage: 48 V UC $\pm 10\%$ , Continuous current: 10 A, PUSH IN
Qty.	10 ST	
Type	TRP T 24VDC 1CO M3 EMPTY	Version
Order No.	<a href="#">2639740000</a>	TERMSERIES, Multifunction timing relay, Empty socket, Number
GTIN (EAN)	4050118797923	of contacts: 1, CO contact, Rated control voltage: 24 V DC $\pm 20\%$ ,
Qty.	10 ST	Continuous current: 10 A, PUSH IN

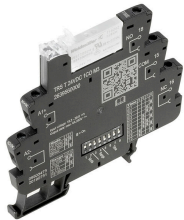
## SSS RELAIS 24V/230V 1AAC

**Weidmüller Interface GmbH & Co. KG**  
 Klingenbergstraße 26  
 D-32758 Detmold  
 Germany

www.weidmueller.com

## Counterpart

## Screw connection



Timing relay for control signal adaptation with additional functions

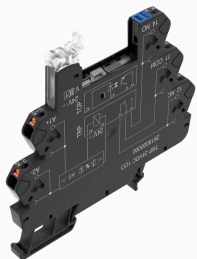
Timing relays are used to coordinate fast switching processes in control systems, among other things. TERMSERIES TIMER timing relays have a on-delay, which allows for the delayed switch-on of machines, the cascaded start-up of system components or the delayed activation of consumers such as pumps or valves. They also have the One Shot and blinker functions. TERMSERIES TIMER timing relays in compact 6.4 mm terminal block format are available with either a screw connection or a PUSH IN wire connection. The timing functions and time ranges can be conveniently adjusted via the DIP switches on the side. The power supply and the respective switching status can be checked at a glance by means of the clearly visible duo LED on the ejection lever. International approvals in accordance with EN 61812 mean that they can be used anywhere in the world. TERMSERIES TIMER is compatible with the wide range of TERMSERIES accessories, thereby ensuring high levels of flexibility and simple integration into existing systems.

- Integration of additional timing functions in 6 mm TERMSERIES version
- Standard-compliant timing relays according to EN 61812
- Simple setting of timing functions and time ranges
- Integrated status LED (duo-LED in the ejection lever) for power supply and switching status

## General ordering data

Type	TRS T 24VDC 1CO M3 EMPTY	Version	
Order No.	<a href="#">2639720000</a>	TERMSERIES, Multifunction timing relay, Empty socket, Number	
GTIN (EAN)	4050118715576	of contacts: 1, CO contact, Rated control voltage: 24 V DC $\pm 20\%$ ,	
Qty.	10 ST	Continuous current: 10 A, Screw connection	

## PUSH IN connection



TERMSERIES empty sockets with:

- 1 CO contact
- Unique multi-voltage input from 24 to 230 V UC
- Input voltages with coloured marking: DC: blue, UC: white
- Due to high-quality design and no sharp edges no risk of injuries during installation
- Partition plates for optical separation and reinforcement of insulation

## General ordering data

Type	TRP 24-230VUC 1CO EMPTY...	Version	
Order No.	<a href="#">2663030000</a>	TERMSERIES, Relay socket, Number of contacts: 1, CO contact, Rated	
GTIN (EAN)	4050118698046	control voltage: 24...230 V UC $\pm 10\%$ , Continuous current: 10 A,	
Qty.	10 ST	PUSH IN	

## SSS RELAIS 24V/230V 1AAC

**Weidmüller Interface GmbH & Co. KG**  
 Klingenbergstraße 26  
 D-32758 Detmold  
 Germany

## Counterpart

www.weidmueller.com

### Screw connection



TERMSERIES empty sockets with:

- 1 CO contact
- Unique multi-voltage input from 24 to 230 V UC
- Input voltages with coloured marking: DC: blue, UC: white
- Due to high-quality design and no sharp edges no risk of injuries during installation
- Partition plates for optical separation and reinforcement of insulation

### General ordering data

Type	TRS 24-230VUC 1CO EMPTY...	Version
Order No.	<a href="#">2662870000</a>	TERMSERIES, Relay socket, Number of contacts: 1, CO contact, Rated
GTIN (EAN)	4050118698206	control voltage: 24...230 V UC ±10 %, Continuous current: 10 A,
Qty.	10 ST	Screw connection