

HDC HQ 4/2 MC VE100**Weidmüller Interface GmbH & Co. KG**

Klingenbergstraße 26

D-32758 Detmold

Germany

www.weidmueller.com



The HQ series - big features in a compact design. The electrical characteristics speak for themselves. You can also use the proven HD and HX crimp contacts here. The wire connection level is designed for crimp contacts. The proven crimp connection has been in standard use for decades.

Crimp contacts are not included in the scope of delivery of inserts.

Pole count: 4/2 (+PE)

Rated current: 40/10 A

Rated voltage: 690 / 250 V

Rated voltage acc. to UL/CSA: 600 V AC/DC

General ordering data

Version	HDC insert, Male, 690 V, 40 A, Number of poles: 6, Crimp connection, Installation size: HQ
Order No.	3194210000
Type	HDC HQ 4/2 MC VE100
GTIN (EAN)	4099987981682
Qty.	100 items

HDC HQ 4/2 MC VE100

Weidmüller Interface GmbH & Co. KG

Klingenbergstraße 26

D-32758 Detmold

Germany

www.weidmueller.com

Technical data

Dimensions and weights

Depth	41.6 mm	Depth (inches)	1.6378 inch
Height	48 mm	Height (inches)	1.8898 inch
Width	22.4 mm	Width (inches)	0.8819 inch
Length	41.6 mm	Length (inches)	1.6378 inch
Net weight	20.24 g		

Temperatures

Limit temperature	-40 °C ... 125 °C
-------------------	-------------------

Environmental Product Compliance

Chemical resistance	Substance	Acetone
	Chemical resistance	Resistant
	Substance	Ammonia, watery
	Chemical resistance	Conditionally resistant
	Substance	Petrol
	Chemical resistance	Resistant
	Substance	Benzene
	Chemical resistance	Resistant
	Substance	Diesel oil
	Chemical resistance	Conditionally resistant
	Substance	Acetic acid, concentrated
	Chemical resistance	Resistant
	Substance	Potassium hydroxide
	Chemical resistance	Conditionally resistant
	Substance	Methanol
	Chemical resistance	Conditionally resistant
	Substance	Motor oil
Chemical resistance	Conditionally resistant	
Substance	Lye, diluted	
Chemical resistance	Resistant	
Substance	Hydrochlorofluorocarbons	
Chemical resistance	Conditionally resistant	
Substance	Outdoor use	
Chemical resistance	Conditionally resistant	

Dimensions

Width	22.4 mm	Total length base	41.6 mm
Height of plug	48 mm		

General data

Number of poles	6	Plugging cycles, silver	≥ 500
Plugging cycles, gold	≥ 500	Type of connection	Crimp connection
Installation size	HQ	UL 94 flammability rating	V-0
Volume resistance	≤1 mΩ, ≤4 mΩ	Colour	beige
Insulation resistance	1010 Ω	Insulating material	PC glass-fibre reinforced (UL-listed and railway-certified)
Insulating material group	IIIa	Type	Male
Pollution severity	3	Basic material	Copper alloy
Series	HQ	Rated voltage (DIN EN 61984)	690 V

HDC HQ 4/2 MC VE100

Weidmüller Interface GmbH & Co. KG

Klingenbergstraße 26

D-32758 Detmold

Germany

www.weidmueller.com

Technical data

Rated voltage according to UL/CSA	600 V AC/DC	Rated impulse voltage (DIN EN 61984)	6 kV
Rated current (DIN EN 61984)	40 A	Free from halogens	false
Low smoke acc. DIN EN 45545-2	Yes	BG	HQ
Number of signal contacts	2	Signal contact, type	HD
Number of power contacts	4	Power contact, type	HX

Connection data PE

Connection type PE	Crimp connection	Stripping length PE connection	9 mm
Rated cross-section	6 mm ²	Wire cross section, AWG (PE), min.	AWG 16
Wire cross section, AWG (PE), max.	AWG 10		

Power contact

Type of connection, power contact	Crimp connection	Number of poles, performance contact	4
Stripping length, performance contact	9 mm	Clamping range, power contact, max.	6 mm ²
Clamping range, power contact, min.	1.5 mm ²	Rated voltage (DIN EN 61984), power contact	690 V
Rated impulse voltage (DIN EN 61984), power contact	6 kV	Rated current (DIN EN 61984), power contact	40 A

Signal contact

Type of connection, signal	Crimp connection	Number of poles, signal	2
Clamping range, signal contact, max.	2.5 mm ²	Clamping range, signal contact, min.	0.14 mm ²
Stripping length, signal	8 mm	Rated voltage (DIN EN 61984), signal contact	250 V
Rated impulse voltage (DIN EN 61984), signal	4 kV	Rated current (DIN EN 61984), signal	10 A

Version

Wire connection cross section AWG, max.	AWG 10	Stripping length, rated connection	9 mm
Type of connection	Crimp connection	Installation size	HQ
Volume resistance	≤1 mΩ, ≤4 mΩ	Wire connection cross section AWG, min.	AWG 16
Wire connection cross section, finely stranded, max.	6 mm ²	Wire connection cross section, finely stranded, min.	1.5 mm ²
Conductor cross-section, max.	6 mm ²	Conductor cross-section, min.	1.5 mm ²
Basic material	Copper alloy	BG	HQ

Classifications

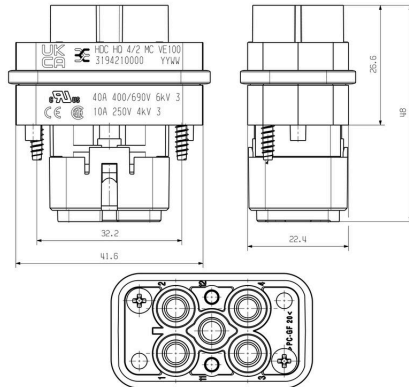
ETIM 8.0	EC000438	ETIM 9.0	EC000438
ETIM 10.0	EC000438	ECLASS 14.0	27-44-02-05
ECLASS 15.0	27-44-02-05		

HDC HQ 4/2 MC VE100

Weidmüller Interface GmbH & Co. KG
Klingenbergstraße 26
D-32758 Detmold
Germany

Drawings

www.weidmueller.com



HDC HQ 4/2 MC VE100

Weidmüller Interface GmbH & Co. KG
 Klingenbergstraße 26
 D-32758 Detmold
 Germany

www.weidmueller.com

Accessories

Slotted screwdriver



VDE insulated slot-head screwdriver, SDI DIN 7437, ISO 2380/2, drive output acc. to DIN 5264, ISO 2380/1. SoftFinish grip

General ordering data

Type	SDIS 0.6X3.5X100	Version	
Order No.	9008390000	Screwdriver, Screwdriver	
GTIN (EAN)	4032248056354		
Qty.	1 ST		

Type	SDS 0.6X3.5X100	Version	
Order No.	9008330000	Screwdriver, Screwdriver	
GTIN (EAN)	4032248056286		
Qty.	1 ST		

Crosshead screwdriver Phillips



VDE insulated crosshead screwdriver, for Phillips screws, SDIK PH DIN 7438, ISO 8764/2-PH, output to ISO 8764-PH, SoftFinish grip

General ordering data

Type	SDIK PH0	Version	
Order No.	9008560000	Screwdriver, Screwdriver	
GTIN (EAN)	4032248056552		
Qty.	1 ST		

Type	SDK PH0	Version	
Order No.	9008470000	Screwdriver, Screwdriver	
GTIN (EAN)	4032248056460		
Qty.	1 ST		

HDC HQ 4/2 MC VE100

Weidmüller Interface GmbH & Co. KG
 Klingenbergstraße 26
 D-32758 Detmold
 Germany

www.weidmueller.com

Accessories

Crimping tools



Crimping tools for turned contacts

- Ratchet guarantees precise crimping
- Release option in the event of incorrect operation
- With stop for exact positioning of the contacts.

General ordering data

Type	CTIN CM 1.6/2.5	Version	
Order No.	9205430000	Pressing tool, Crimping tool for contacts, 0.14mm ² , 6mm ² , 4-indent	
GTIN (EAN)	4032248733446	crimp	
Qty.	1 ST		

Contact removal tools



Weidmüller offers a variety of crimping tools, contact removal tools, and fibre optic tools.

General ordering data

Type	REMOVAL TOOL HD	Version	
Order No.	1866730000	Tools, Contact Removal Tool	
GTIN (EAN)	4032248437054		
Qty.	1 ST		

Crimp contacts HX



Crimps provide a electrical and mechanical connection between wire and contact that is both secure and reliable. The optimal crimp connection is gas-tight and corrosion-resistant.

General ordering data

Type	HDC C HX BM1.5AG	Version	
Order No.	1002950000	Heavy-duty connectors, Crimp contact, MixMate, Female, Conductor	
GTIN (EAN)	4032248697236	cross-section, max.: 1.5, turned, Copper alloy	
Qty.	25 ST		

HDC HQ 4/2 MC VE100

Weidmüller Interface GmbH & Co. KG
 Klingenbergstraße 26
 D-32758 Detmold
 Germany

www.weidmueller.com

Accessories

Type	HDC C HX BM2.5AG	Version
Order No.	1002960000	Heavy-duty connectors, Crimp contact, MixMate, Female, Conductor
GTIN (EAN)	4032248697243	cross-section, max.: 2.5, turned, Copper alloy
Qty.	25 ST	
Type	HDC C HX BM4.0AG	Version
Order No.	1002970000	Heavy-duty connectors, Crimp contact, HQ, MixMate, Female,
GTIN (EAN)	4032248697250	Conductor cross-section, max.: 4, turned, Copper alloy
Qty.	25 ST	
Type	HDC C HX BM6.0AG	Version
Order No.	1002980000	Heavy-duty connectors, Crimp contact, MixMate, Female, Conductor
GTIN (EAN)	4032248697267	cross-section, max.: 6, turned, Copper alloy
Qty.	25 ST	

Crimp contacts HD



Crimps provide a electrical and mechanical connection between wire and contact that is both secure and reliable. The optimal crimp connection is gas-tight and corrosion-resistant.

General ordering data

Type	HDC-C-HD-BM0.14-0.37AG	Version
Order No.	1651570000	Heavy-duty connectors, Crimp contact, HD, HDD, HQ, MixMate,
GTIN (EAN)	4008190400248	Female, Conductor cross-section, max.: 0.37, turned, Copper alloy
Qty.	100 ST	
Type	HDC-C-HD-BM0.5AG	Version
Order No.	1651580000	Heavy-duty connectors, Crimp contact, HD, HDD, HQ, MixMate,
GTIN (EAN)	4008190400255	Female, Conductor cross-section, max.: 0.5, turned, Copper alloy
Qty.	100 ST	
Type	HDC-C-HD-BM0.75-1.00AG	Version
Order No.	1601760000	Heavy-duty connectors, Crimp contact, HD, HDD, HQ, MixMate,
GTIN (EAN)	4008190158354	Female, Conductor cross-section, max.: 1, turned, Copper alloy
Qty.	100 ST	
Type	HDC-C-HD-BM1.5AG	Version
Order No.	1651600000	Heavy-duty connectors, Crimp contact, HD, HDD, HQ, MixMate,
GTIN (EAN)	4008190400279	Female, Conductor cross-section, max.: 1.5, turned, Copper alloy
Qty.	100 ST	
Type	HDC-C-HD-BM2.5AG	Version
Order No.	1651610000	Heavy-duty connectors, Crimp contact, HD, HDD, HQ, MixMate,
GTIN (EAN)	4008190400286	Female, Conductor cross-section, max.: 2.5, turned, Copper alloy
Qty.	100 ST	
Type	HDC-C-HD-BM0.14-0.37AU	Version
Order No.	1651670000	Heavy-duty connectors, Crimp contact, HD, HDD, HQ, MixMate,
GTIN (EAN)	4008190400347	Female, Conductor cross-section, max.: 0.37, turned, Copper alloy
Qty.	100 ST	

HDC HQ 4/2 MC VE100

Weidmüller Interface GmbH & Co. KG
 Klingenbergstraße 26
 D-32758 Detmold
 Germany

www.weidmueller.com

Accessories

Type	HDC-C-HD-BM0.5AU	Version
Order No.	1651680000	Heavy-duty connectors, Crimp contact, HD, HDD, HQ, MixMate,
GTIN (EAN)	4008190400354	Female, Conductor cross-section, max.: 0.5, turned, Copper alloy
Qty.	100 ST	
Type	HDC-C-HD-BM0.75-1.00AU	Version
Order No.	1651690000	Heavy-duty connectors, Crimp contact, HD, HDD, HQ, MixMate,
GTIN (EAN)	4008190400361	Female, Conductor cross-section, max.: 1, turned, Copper alloy
Qty.	100 ST	
Type	HDC-C-HD-BM1.5AU	Version
Order No.	1651700000	Heavy-duty connectors, Crimp contact, HD, HDD, HQ, MixMate,
GTIN (EAN)	4008190400378	Female, Conductor cross-section, max.: 1.5, turned, Copper alloy
Qty.	100 ST	
Type	HDC-C-HD-BM2.5AU	Version
Order No.	1651710000	Heavy-duty connectors, Crimp contact, HD, HDD, HQ, MixMate,
GTIN (EAN)	4008190400385	Female, Conductor cross-section, max.: 2.5, turned, Copper alloy
Qty.	100 ST	

Crimp contacts HX

Crimps provide a electrical and mechanical connection between wire and contact that is both secure and reliable. The optimal crimp connection is gas-tight and corrosion-resistant.



General ordering data

Type	HDC C HX SM6.0AG	Version
Order No.	1002940000	Heavy-duty connectors, Crimp contact, MixMate, Male, Conductor
GTIN (EAN)	4032248697229	cross-section, max.: 6, turned, Copper alloy
Qty.	25 ST	
Type	HDC C HX SM4.0AG	Version
Order No.	1002930000	Heavy-duty connectors, Crimp contact, MixMate, Male, Conductor
GTIN (EAN)	4032248697212	cross-section, max.: 4, turned, Copper alloy
Qty.	25 ST	
Type	HDC C HX SM2.5AG	Version
Order No.	1002920000	Heavy-duty connectors, Crimp contact, MixMate, Male, Conductor
GTIN (EAN)	4032248697106	cross-section, max.: 2.5, turned, Copper alloy
Qty.	25 ST	
Type	HDC C HX SM10.0AG	Version
Order No.	1526150000	Heavy-duty connectors, Crimp contact, HQ, Male, Conductor cross-
GTIN (EAN)	4050118332131	section, max.: 8, turned, Copper alloy
Qty.	25 ST	
Type	HDC C HX SM1.5AG	Version
Order No.	1002910000	Heavy-duty connectors, Crimp contact, MixMate, Male, Conductor
GTIN (EAN)	4032248697090	cross-section, max.: 1.5, turned, Copper alloy
Qty.	25 ST	

HDC HQ 4/2 MC VE100

Weidmüller Interface GmbH & Co. KG
 Klingenbergstraße 26
 D-32758 Detmold
 Germany

www.weidmueller.com

Accessories

Type	HDC C HX BM10.0AG	Version
Order No.	1526190000	Heavy-duty connectors, Crimp contact, HQ, Female, Conductor cross-section, max.: 8, turned, Copper alloy
GTIN (EAN)	4050118332087	
Qty.	25 ST	

Crimp contacts HD



Crimps provide a electrical and mechanical connection between wire and contact that is both secure and reliable. The optimal crimp connection is gas-tight and corrosion-resistant.

General ordering data

Type	HDC-C-HD-SM2.5AU	Version
Order No.	1651660000	Heavy-duty connectors, Crimp contact, HD, HDD, HQ, MixMate, Male, Conductor cross-section, max.: 2.5, turned, Copper alloy
GTIN (EAN)	4008190400330	
Qty.	100 ST	
Type	HDC-C-HD-SM2.5AG	Version
Order No.	1651560000	Heavy-duty connectors, Crimp contact, HD, HDD, HQ, MixMate, Male, Conductor cross-section, max.: 2.5, turned, Copper alloy
GTIN (EAN)	4008190400231	
Qty.	100 ST	
Type	HDC-C-HD-SM1.5AU	Version
Order No.	1651650000	Heavy-duty connectors, Crimp contact, HD, HDD, HQ, MixMate, Male, Conductor cross-section, max.: 1.5, turned, Copper alloy
GTIN (EAN)	4008190400323	
Qty.	100 ST	
Type	HDC-C-HD-SM1.5AG	Version
Order No.	1651550000	Heavy-duty connectors, Crimp contact, HD, HDD, HQ, MixMate, Male, Conductor cross-section, max.: 1.5, turned, Copper alloy
GTIN (EAN)	4008190400224	
Qty.	100 ST	
Type	HDC-C-HD-SM0.75-1.00AU	Version
Order No.	1651640000	Heavy-duty connectors, Crimp contact, HD, HDD, HQ, MixMate, Male, Conductor cross-section, max.: 1, turned, Copper alloy
GTIN (EAN)	4008190400316	
Qty.	100 ST	
Type	HDC-C-HD-SM0.75-1.00AG	Version
Order No.	1601750000	Heavy-duty connectors, Crimp contact, HD, HDD, HQ, MixMate, Male, Conductor cross-section, max.: 1, turned, Copper alloy
GTIN (EAN)	4008190134280	
Qty.	100 ST	
Type	HDC-C-HD-SM0.5AU	Version
Order No.	1651630000	Heavy-duty connectors, Crimp contact, HD, HDD, HQ, MixMate, Male, Conductor cross-section, max.: 0.5, turned, Copper alloy
GTIN (EAN)	4008190400309	
Qty.	100 ST	
Type	HDC-C-HD-SM0.5AG	Version
Order No.	1651530000	Heavy-duty connectors, Crimp contact, HD, HDD, HQ, MixMate, Male, Conductor cross-section, max.: 0.5, turned, Copper alloy
GTIN (EAN)	4008190400200	
Qty.	100 ST	

HDC HQ 4/2 MC VE100

Weidmüller Interface GmbH & Co. KG
Klingenbergstraße 26
D-32758 Detmold
Germany

www.weidmueller.com

Accessories

Type	HDC-C-HD-SM0.14-0.37AU	Version
Order No.	1651620000	Heavy-duty connectors, Crimp contact, HD, HDD, HQ, MixMate, Male,
GTIN (EAN)	4008190400293	Conductor cross-section, max.: 0.37, turned, Copper alloy
Qty.	100 ST	
Type	HDC-C-HD-SM0.14-0.37AG	Version
Order No.	1651520000	Heavy-duty connectors, Crimp contact, HD, HDD, HQ, MixMate, Male,
GTIN (EAN)	4008190400194	Conductor cross-section, max.: 0.37, turned, Copper alloy
Qty.	100 ST	