

IE-C5DB4WE0185MCSMCA-E

Weidmüller Interface GmbH & Co. KG
Klingenbergstraße 26
D-32758 Detmold
Germany

www.weidmueller.com



Assembled IE cables, railway cable RW (reduced wire),
Cat. 5, PUR, black, plug on both sides M12 straight pin

General ordering data

Version	System cable, M12 D-code – IP 67 straight pin, M12 D-code – IP 67 angled pin, Cat. 5e, Radox EM 104, 18.5 m
Order No.	3189080185
Type	IE-C5DB4WE0185MCSMCA-E
GTIN (EAN)	409998797878 1
Qty.	1 items

IE-C5DB4WE0185MCSMCA-E

Weidmüller Interface GmbH & Co. KG

Klingenbergstraße 26

D-32758 Detmold

Germany

www.weidmueller.com

Technical data

Dimensions and weights

Length	18.5 m	Length (inches)	728.3465 inch
Net weight	1201 g		

Temperatures

Storage temperature	Operating temperature	-25 °C...85 °C
---------------------	-----------------------	----------------

Cable specific standards

Fluorine content	According to EN 60684-2 Section 45.2	Flames propagate vertically on bundled cables	in accordance with EN 50266, EN 50305, EN 60332-3-25, According to NF C32-070, 2.1, According to UL1685, 12 (FT4 exp.)
Multi-wire metallic data and control cable	According to EN50288-2-2	Hydrogen halide content	According to EN-50267-2-1
Corrosiveness of fumes	EN 50267-2-2	Fire safety for railway vehicles	According to BS 6853, GM/RT 2130, Ia,Ib, II, According to EN 45545, HL1 - HL3, According to DIN 5510 1-4, According to NF F16-101, A1, A2, B, According to UNI CEI 11170, LR1-LR4, NFPA 130
Impervious to smoke	According to BS 6853 Appendix D, According to IEC 61034-2, According to UL1685, 12 (FT4 exp.)	Poisonous gases	According to BS 6853 Appendix B

General standards

Connector standard	IEC 61076-2-101
--------------------	-----------------

Cable structure

Wire connection cross section AWG, max.	AWG 22	Sheathing colour	black
Cross-section	4*AWG 22/7 - 0.32 mm ²	Shielding	SF/UTP
Number of wires	4	Insulation cross-section	1.55 mm
Insulation	PE	Sheath diameter, max.	7 mm
Sheath diameter, min.	6.2 mm	Material sheath	Radox EM 104
Colour coding	yellow, white, orange, blue	Wire material	Copper alloy

Electrical properties of cable

Category	Cat. 5e
----------	---------

Mechanical and material properties of cable

Resistance to oils	in accordance with EN 50264-1 or EN 50306-1	Halogen	No
Min. bending radius, repetitive	6 *diameter	Min. bending radius, once only	10 x cable diameter
Resistance to spread of flame	in accordance with IEC 60332-1-2, According to	Corrosiveness of fumes	EN 50267-2-2

IE-C5DB4WE0185MCSMCA-E

Weidmüller Interface GmbH & Co. KG
 Klingenbergstraße 26
 D-32758 Detmold
 Germany

www.weidmueller.com

Technical data

	NF C32-070, 2.1, NFPA 130
Impervious to smoke	According to BS 6853 Appendix D, According to IEC 61034-2, According to UL1685, 12 (FT4 exp.)

Plug, left

Plug left	M12, D-coded, Number of poles: 4, IP67, male contact, straight, plug, shielded
-----------	--

Plug, right

Plug right	M12, D-coded, Number of poles: 4, IP67, male contact, angled 0°, plug, shielded
------------	---

Classifications

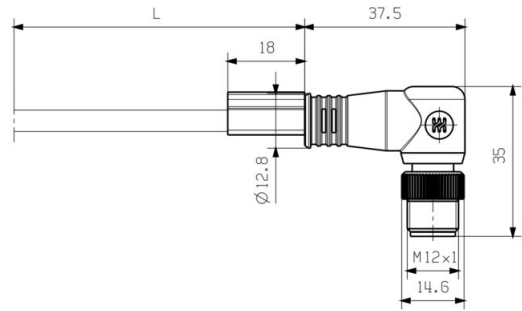
ETIM 8.0	EC002599	ETIM 9.0	EC002599
ETIM 10.0	EC002599	ECLASS 14.0	27-06-03-08
ECLASS 15.0	27-06-03-08		

IE-C5DB4WE0185MCSMCA-E

Weidmüller Interface GmbH & Co. KG
 Klingenbergstraße 26
 D-32758 Detmold
 Germany

Drawings

www.weidmueller.com



Wiring diagram

Detailed drawing

M12		M12
1	yellow	1
2	white	2
3	orange	3
4	blue	4



IE-C5DB4WE0185MCSMCA-E

Weidmüller Interface GmbH & Co. KG
 Klingenbergstraße 26
 D-32758 Detmold
 Germany

www.weidmueller.com

Accessories

Screwty® cable gland tool



The ideal tool for any application
 Screwty® is the ideal, all-purpose tool for tightening all common sensor and actuator cables. Even difficult-to-reach round plugs are accessible using the Screwty®. A simple turning movement tightens and loosens the connectors without the need for excessive force. The Screwty® is a unique and global solution since it fits with most cables and plugs from other vendors (over 90 %). The Screwty® consists of a handle with a conventional 1/4" adapter. Thus it can be used for all sizes: for M12 and M8 round plug-in connectors, and for M12F and M8F customisable plugs and sockets, as well as for all M23 plugs and sockets.

General ordering data

Type	SCREWTY SET	Version	
Order No.	1910000000		Cable gland tool for M8, M12 lines and connectors
GTIN (EAN)	4032248436842		
Qty.	1 ST		

Screwty® cable gland tool with torque function



The ideal tool for any application
 Screwty® is the ideal, all-purpose tool for tightening all common sensor and actuator cables. Even difficult-to-reach round plugs are accessible using the Screwty®. A simple turning movement tightens and loosens the connectors without the need for excessive force. The Screwty® is a unique and global solution since it fits with most cables and plugs from other vendors (over 90 %). The Screwty® consists of a handle with a conventional 1/4" adapter. Thus it can be used for all sizes: for M12 and M8 round plug-in connectors, and for M12F and M8F customisable plugs and sockets, as well as for all M23 plugs and sockets.

General ordering data

Type	SCREWTY SET -DM	Version	
Order No.	1920000000		Cable gland tool for M8, M12 lines and connectors
GTIN (EAN)	4032248436859		
Qty.	1 ST		

IE-C5DB4WE0185MCSMCA-E

Weidmüller Interface GmbH & Co. KG
 Klingenbergstraße 26
 D-32758 Detmold
 Germany

www.weidmueller.com

Accessories

Screwty® cable gland tool



The ideal tool for any application
 Screwty® is the ideal, all-purpose tool for tightening all common sensor and actuator cables. Even difficult-to-reach round plugs are accessible using the Screwty®. A simple turning movement tightens and loosens the connectors without the need for excessive force. The Screwty® is a unique and global solution since it fits with most cables and plugs from other vendors (over 90 %). The Screwty® consists of a handle with a conventional 1/4" adapter. Thus it can be used for all sizes: for M12 and M8 round plug-in connectors, and for M12F and M8F customisable plugs and sockets, as well as for all M23 plugs and sockets.

General ordering data

Type	SCREWTY- M12	Version	
Order No.	1900000000		Cable gland tool for moulded M12 lines
GTIN (EAN)	4032248375868		
Qty.	1 ST		

Screwty® cable gland tool with torque function



The ideal tool for any application
 Screwty® is the ideal, all-purpose tool for tightening all common sensor and actuator cables. Even difficult-to-reach round plugs are accessible using the Screwty®. A simple turning movement tightens and loosens the connectors without the need for excessive force. The Screwty® is a unique and global solution since it fits with most cables and plugs from other vendors (over 90 %). The Screwty® consists of a handle with a conventional 1/4" adapter. Thus it can be used for all sizes: for M12 and M8 round plug-in connectors, and for M12F and M8F customisable plugs and sockets, as well as for all M23 plugs and sockets.

General ordering data

Type	SCREWTY-M12-DM	Version	
Order No.	1900001000		Cable gland tool for moulded M12 lines
GTIN (EAN)	4032248436408		
Qty.	1 ST		