

IE-C5DB4WE0100MCSMCA-E

Weidmüller Interface GmbH & Co. KG
Klingenbergstraße 26
D-32758 Detmold
Germany

www.weidmueller.com



Assembled IE cables, railway cable RW (reduced wire),
Cat. 5, PUR, black, plug on both sides M12 straight pin

General ordering data

| | |
|------------|---|
| Version | System cable, M12 D-code – IP 67 straight pin, M12 D-code – IP 67 angled pin, Cat. 5e, Radox EM 104, 10 m |
| Order No. | 3189080100 |
| Type | IE-C5DB4WE0100MCSMCA-E |
| GTIN (EAN) | 4099987971072 |
| Qty. | 1 items |

IE-C5DB4WE0100MCSMCA-E

Weidmüller Interface GmbH & Co. KG

Klingenbergstraße 26

D-32758 Detmold

Germany

www.weidmueller.com

Technical data

Dimensions and weights

| | | | |
|------------|-------|-----------------|---------------|
| Length | 10 m | Length (inches) | 393.7008 inch |
| Net weight | 660 g | | |

Temperatures

| | | |
|---------------------|-----------------------|----------------|
| Storage temperature | Operating temperature | -25 °C...85 °C |
|---------------------|-----------------------|----------------|

Cable specific standards

| | | | |
|--|---|---|---|
| Fluorine content | According to EN 60684-2 Section 45.2 | Flames propagate vertically on bundled cables | in accordance with EN 50266, EN 50305, EN 60332-3-25, According to NF C32-070, 2.1, According to UL1685, 12 (FT4 exp.) |
| Multi-wire metallic data and control cable | According to EN50288-2-2 | Hydrogen halide content | According to EN-50267-2-1 |
| Corrosiveness of fumes | EN 50267-2-2 | Fire safety for railway vehicles | According to BS 6853, GM/RT 2130, Ia,Ib, II, According to EN 45545, HL1 - HL3, According to DIN 5510 1-4, According to NF F16-101, A1, A2, B, According to UNI CEI 11170, LR1-LR4, NFPA 130 |
| Impervious to smoke | According to BS 6853 Appendix D, According to IEC 61034-2, According to UL1685, 12 (FT4 exp.) | Poisonous gases | According to BS 6853 Appendix B |

General standards

| | |
|--------------------|-----------------|
| Connector standard | IEC 61076-2-101 |
|--------------------|-----------------|

Cable structure

| | | | |
|---|-----------------------------------|--------------------------|--------------|
| Wire connection cross section AWG, max. | AWG 22 | Sheathing colour | black |
| Cross-section | 4*AWG 22/7 - 0.32 mm ² | Shielding | SF/UTP |
| Number of wires | 4 | Insulation cross-section | 1.55 mm |
| Insulation | PE | Sheath diameter, max. | 7 mm |
| Sheath diameter, min. | 6.2 mm | Material sheath | Radox EM 104 |
| Colour coding | yellow, white, orange, blue | Wire material | Copper alloy |

Electrical properties of cable

| | |
|----------|---------|
| Category | Cat. 5e |
|----------|---------|

Mechanical and material properties of cable

| | | | |
|---------------------------------|--|--------------------------------|---------------------|
| Resistance to oils | in accordance with EN 50264-1 or EN 50306-1 | Halogen | No |
| Min. bending radius, repetitive | 6 *diameter | Min. bending radius, once only | 10 x cable diameter |
| Resistance to spread of flame | in accordance with IEC 60332-1-2, According to | Corrosiveness of fumes | EN 50267-2-2 |

IE-C5DB4WE0100MCSMCA-E

Weidmüller Interface GmbH & Co. KG
 Klingenbergstraße 26
 D-32758 Detmold
 Germany

www.weidmueller.com

Technical data

| | |
|---------------------|---|
| | NF C32-070, 2.1, NFPA 130 |
| Impervious to smoke | According to BS 6853 Appendix D, According to IEC 61034-2, According to UL1685, 12 (FT4 exp.) |

Plug, left

| | |
|-----------|--|
| Plug left | M12, D-coded, Number of poles: 4, IP67, male contact, straight, plug, shielded |
|-----------|--|

Plug, right

| | |
|------------|---|
| Plug right | M12, D-coded, Number of poles: 4, IP67, male contact, angled 0°, plug, shielded |
|------------|---|

Classifications

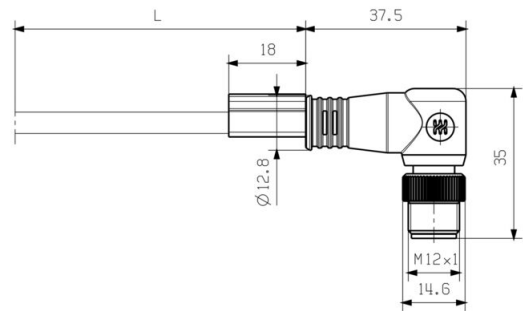
| | | | |
|-------------|-------------|-------------|-------------|
| ETIM 8.0 | EC002599 | ETIM 9.0 | EC002599 |
| ETIM 10.0 | EC002599 | ECLASS 14.0 | 27-06-03-08 |
| ECLASS 15.0 | 27-06-03-08 | | |

IE-C5DB4WE0100MCSMCA-E

Weidmüller Interface GmbH & Co. KG
 Klingenbergstraße 26
 D-32758 Detmold
 Germany

Drawings

www.weidmueller.com



Wiring diagram

Detailed drawing

| M12 | | M12 |
|-----|--------|-----|
| 1 | yellow | 1 |
| 2 | white | 2 |
| 3 | orange | 3 |
| 4 | blue | 4 |



IE-C5DB4WE0100MCSMCA-E

Weidmüller Interface GmbH & Co. KG
 Klingenbergstraße 26
 D-32758 Detmold
 Germany

www.weidmueller.com

Accessories

Screwty® cable gland tool



The ideal tool for any application
 Screwty® is the ideal, all-purpose tool for tightening all common sensor and actuator cables. Even difficult-to-reach round plugs are accessible using the Screwty®. A simple turning movement tightens and loosens the connectors without the need for excessive force. The Screwty® is a unique and global solution since it fits with most cables and plugs from other vendors (over 90 %). The Screwty® consists of a handle with a conventional 1/4" adapter. Thus it can be used for all sizes: for M12 and M8 round plug-in connectors, and for M12F and M8F customisable plugs and sockets, as well as for all M23 plugs and sockets.

General ordering data

| | | | |
|------------|----------------------------|---------|---|
| Type | SCREWTY SET | Version | |
| Order No. | 1910000000 | | Cable gland tool for M8, M12 lines and connectors |
| GTIN (EAN) | 4032248436842 | | |
| Qty. | 1 ST | | |

Screwty® cable gland tool with torque function



The ideal tool for any application
 Screwty® is the ideal, all-purpose tool for tightening all common sensor and actuator cables. Even difficult-to-reach round plugs are accessible using the Screwty®. A simple turning movement tightens and loosens the connectors without the need for excessive force. The Screwty® is a unique and global solution since it fits with most cables and plugs from other vendors (over 90 %). The Screwty® consists of a handle with a conventional 1/4" adapter. Thus it can be used for all sizes: for M12 and M8 round plug-in connectors, and for M12F and M8F customisable plugs and sockets, as well as for all M23 plugs and sockets.

General ordering data

| | | | |
|------------|----------------------------|---------|---|
| Type | SCREWTY SET -DM | Version | |
| Order No. | 1920000000 | | Cable gland tool for M8, M12 lines and connectors |
| GTIN (EAN) | 4032248436859 | | |
| Qty. | 1 ST | | |

IE-C5DB4WE0100MCSMCA-E

Weidmüller Interface GmbH & Co. KG
 Klingenbergstraße 26
 D-32758 Detmold
 Germany

www.weidmueller.com

Accessories

Screwty® cable gland tool



The ideal tool for any application
 Screwty® is the ideal, all-purpose tool for tightening all common sensor and actuator cables. Even difficult-to-reach round plugs are accessible using the Screwty®. A simple turning movement tightens and loosens the connectors without the need for excessive force. The Screwty® is a unique and global solution since it fits with most cables and plugs from other vendors (over 90 %). The Screwty® consists of a handle with a conventional 1/4" adapter. Thus it can be used for all sizes: for M12 and M8 round plug-in connectors, and for M12F and M8F customisable plugs and sockets, as well as for all M23 plugs and sockets.

General ordering data

| | | | |
|------------|----------------------------|---------|--|
| Type | SCREWTY- M12 | Version | |
| Order No. | 1900000000 | | Cable gland tool for moulded M12 lines |
| GTIN (EAN) | 4032248375868 | | |
| Qty. | 1 ST | | |

Screwty® cable gland tool with torque function



The ideal tool for any application
 Screwty® is the ideal, all-purpose tool for tightening all common sensor and actuator cables. Even difficult-to-reach round plugs are accessible using the Screwty®. A simple turning movement tightens and loosens the connectors without the need for excessive force. The Screwty® is a unique and global solution since it fits with most cables and plugs from other vendors (over 90 %). The Screwty® consists of a handle with a conventional 1/4" adapter. Thus it can be used for all sizes: for M12 and M8 round plug-in connectors, and for M12F and M8F customisable plugs and sockets, as well as for all M23 plugs and sockets.

General ordering data

| | | | |
|------------|----------------------------|---------|--|
| Type | SCREWTY-M12-DM | Version | |
| Order No. | 1900001000 | | Cable gland tool for moulded M12 lines |
| GTIN (EAN) | 4032248436408 | | |
| Qty. | 1 ST | | |