

HDC 16B SBU 2M32 BP**Weidmüller Interface GmbH & Co. KG**

Klingenbergstraße 26

D-32758 Detmold

Germany

www.weidmueller.com



Plastic enclosures are particularly suitable for applications where the resistance of metals is not sufficient. In addition, the enclosures shown here are lighter and slightly cheaper than standard aluminum enclosures. It can therefore make sense to use plastic enclosures in applications where the materials do not need to be as robust. The tightness is still IP65.

General ordering data

| | |
|------------|---|
| Version | HDC enclosures, Installation size: 6, Protection degree: IP65, in plugged condition, Base housing, Side-locking clamp on lower side, Standard, Size of cable entries: 2*M32, M 32, M 40 |
| Order No. | 3164420000 |
| Type | HDC 16B SBU 2M32 BP |
| GTIN (EAN) | 4099987800709 |
| Qty. | 1 items |

HDC 16B SBU 2M32 BP

Weidmüller Interface GmbH & Co. KG
 Klingenbergstraße 26
 D-32758 Detmold
 Germany

www.weidmueller.com

Technical data

Approvals

| | |
|------|---------|
| ROHS | Conform |
|------|---------|

Dimensions and weights

| | | | |
|----------------------------|---------|-----------------|-------------|
| Depth | 132 mm | Depth (inches) | 5.1968 inch |
| Height | 81.5 mm | Height (inches) | 3.2087 inch |
| Width | 57 mm | Width (inches) | 2.2441 inch |
| Mounting dimension - width | 132 mm | Net weight | 245 g |

Temperatures

| | |
|-------------------|-------------------|
| Limit temperature | -40 °C ... 125 °C |
|-------------------|-------------------|

Environmental Product Compliance

| | |
|------------------------|-----------------------------|
| RoHS Compliance Status | Compliant without exemption |
| REACH SVHC | No SVHC above 0.1 wt% |

Dimensions

| | |
|-------------|-----------|
| Cable entry | w. thread |
|-------------|-----------|

General data

| | | | |
|---------------------------|----------------|-----------------------------|----------------------------|
| UL 94 flammability rating | V-0 | Housing main material | Plastic |
| Surface finish | Plastic-coated | Protection degree | IP65, in plugged condition |
| EMC housings | No | Material of locking element | Plastic |

Version

| | | | |
|--------------------------------|----------------------------------|------------------------------|--------------------|
| Size of cable entries | 2*M32, M 32, M 40 | Top part/bottom part/lid | lower part |
| Cover | without cover | Number of cable entry on top | 0 |
| Number of cable entry sideways | 1 | Design of housing | Base housing |
| Design of locking system | Side-locking clamp on lower side | Design | Standard |
| Installation size | 6 | Cable entry | w. thread |
| Type | Base housing | Clamp version | Side-locking clamp |
| Sealing | NBR | Internal thread | M 32 |
| Colour (RAL) | RAL 9011 | BG | 6 |
| Suitable for ModuPlug® | No | | |

Classifications

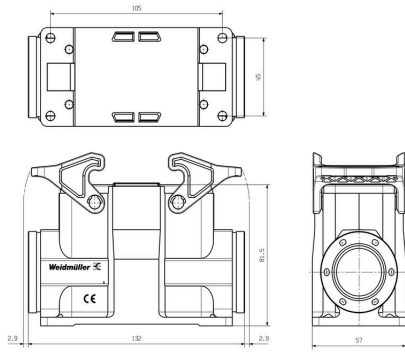
| | | | |
|-------------|-------------|-------------|-------------|
| ETIM 8.0 | EC000437 | ETIM 9.0 | EC000437 |
| ETIM 10.0 | EC000437 | ECLASS 14.0 | 27-44-02-02 |
| ECLASS 15.0 | 27-44-02-02 | | |

HDC 16B SBU 2M32 BP

Weidmüller Interface GmbH & Co. KG
Klingenbergstraße 26
D-32758 Detmold
Germany

Drawings

www.weidmueller.com



HDC 16B SBU 2M32 BP

Weidmüller Interface GmbH & Co. KG
 Klingenbergstraße 26
 D-32758 Detmold
 Germany

www.weidmueller.com

Accessories

Hood, Cable Entry sideways



Plastic enclosures are particularly suitable for applications where the resistance of metals is not sufficient. In addition, the enclosures shown here are lighter and slightly cheaper than standard aluminum enclosures. It can therefore make sense to use plastic enclosures in applications where the materials do not need to be as robust. The tightness is still IP65.

General ordering data

| | | | |
|------------|----------------------------|---------|---|
| Type | HDC 40D TSBU 1M32 BP | Version | |
| Order No. | 3107200000 | | |
| GTIN (EAN) | 4099987 172 127 | | |
| Qty. | 1 ST | | |
| | | | HDC enclosures, Installation size: 6, Protection degree: IP65, in plugged condition, Cable entry from side, Plug housing, Side-locking clamp on lower side, high, Size of cable entries: M 32, M 40 |

Hood, Cable Entry at top

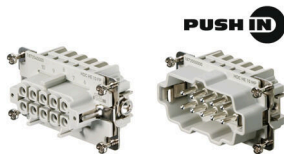


Plastic enclosures are particularly suitable for applications where the resistance of metals is not sufficient. In addition, the enclosures shown here are lighter and slightly cheaper than standard aluminum enclosures. It can therefore make sense to use plastic enclosures in applications where the materials do not need to be as robust. The tightness is still IP65.

General ordering data

| | | | |
|------------|----------------------------|---------|--|
| Type | HDC 40D TOBU 1M32 BP | Version | |
| Order No. | 3164310000 | | |
| GTIN (EAN) | 4099987800181 | | |
| Qty. | 1 ST | | |
| | | | HDC enclosures, Installation size: 6, Protection degree: IP65, in plugged condition, Cable entry from top, Plug housing, Side-locking clamp on lower side, high, Size of cable entries: M 32, M 40 |

Size 4



The PUSH IN connection is a direct-insert method of connection. The preprocessed wire can be inserted directly into the wire connection without the need for any tools.

Number of poles: 10

Rated current: 16 A

Rated voltage: 500 V

Nominal voltage acc. to UL/CSA: 600 V AC/DC

General ordering data

| | | | |
|------------|----------------------------|---------|---|
| Type | HDC HE 10 FP | Version | |
| Order No. | 1873540000 | | |
| GTIN (EAN) | 4032248458158 | | |
| Qty. | 1 ST | | |
| | | | HDC insert, Female, 500 V, 16 A, Number of poles: 10, PUSH IN, Installation size: 4 |

HDC 16B SBU 2M32 BP

Weidmüller Interface GmbH & Co. KG
 Klingenbergstraße 26
 D-32758 Detmold
 Germany

www.weidmueller.com

Accessories

| | | |
|------------|----------------------------|--|
| Type | HDC HE 10 MP | Version |
| Order No. | 1873550000 | HDC insert, Male, 500 V, 16 A, Number of poles: 10, PUSH IN, |
| GTIN (EAN) | 4032248458165 | Installation size: 4 |
| Qty. | 1 ST | |

IP68 version



In addition to the extensive range of enclosures, Weidmüller offers a variety of cable glands for a wide range of applications. The cable glands made of brass, plastic and stainless steel meet the most various IP protection classes to suit any industrial enclosure. Depending on the series of cable glands and the application, the cable glands are approved and tested according to VDE, UL, UR, cULus, DNV GL or EN 45545.

General ordering data

| | | |
|------------|----------------------------|---|
| Type | VG M32-1/K68 | Version |
| Order No. | 1909880000 | VG K (standard plastic cable gland), Cable glands, straight, M 32, 10 |
| GTIN (EAN) | 4032248536801 | mm, OD min. 15 - OD max. 21 mm, IP54, IP66, IP67, IP68 - 5 bar (30 |
| Qty. | 20 ST | min.), Polyamide 6 |