

HDC 16B SBU 1M32 BP

Weidmüller Interface GmbH & Co. KG
Klingenbergstraße 26
D-32758 Detmold
Germany

www.weidmueller.com



Plastic enclosures are particularly suitable for applications where the resistance of metals is not sufficient. In addition, the enclosures shown here are lighter and slightly cheaper than standard aluminum enclosures. It can therefore make sense to use plastic enclosures in applications where the materials do not need to be as robust. The tightness is still IP65.

General ordering data

Version	HDC enclosures, Installation size: 6, Protection degree: IP65, in plugged condition, Base housing, Side-locking clamp on lower side, Standard, Size of cable entries: M 32, M 40
Order No.	3164410000
Type	HDC 16B SBU 1M32 BP
GTIN (EAN)	4099987800686
Qty.	1 items

HDC 16B SBU 1M32 BP

Weidmüller Interface GmbH & Co. KG
 Klingenbergstraße 26
 D-32758 Detmold
 Germany

www.weidmueller.com

Technical data

Approvals

ROHS	Conform
------	---------

Dimensions and weights

Depth	125 mm	Depth (inches)	4.9212 inch
Height	81.5 mm	Height (inches)	3.2087 inch
Width	57 mm	Width (inches)	2.2441 inch
Mounting dimension - height	45 mm	Mounting dimension - width	124.5 mm
Net weight	260 g		

Temperatures

Limit temperature	-40 °C ... 125 °C
-------------------	-------------------

Environmental Product Compliance

RoHS Compliance Status	Compliant without exemption
REACH SVHC	No SVHC above 0.1 wt%

Dimensions

Cable entry	w. thread
-------------	-----------

General data

UL 94 flammability rating	V-0	Surface finish	untreated
Protection degree	IP65, in plugged condition		

Version

Size of cable entries	M 32, M 40	Top part/bottom part/lid	lower part
Cover	without cover	Number of cable entry on top	0
Number of cable entry sideways	1	Design of housing	Base housing
Design of locking system	Side-locking clamp on lower side	Design	Standard
Installation size	6	Cable entry	w. thread
Type	Base housing	Clamp version	Side-locking clamp
Sealing	NBR	Internal thread	M 32
Colour (RAL)	RAL 9011	BG	6
Suitable for ModuPlug®	No		

Classifications

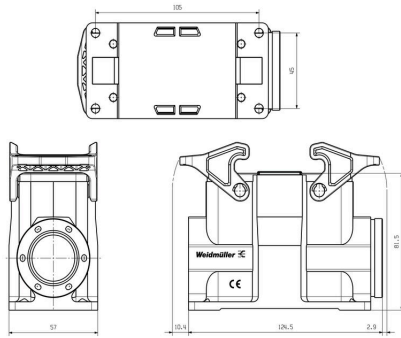
ETIM 8.0	EC000437	ETIM 9.0	EC000437
ETIM 10.0	EC000437	ECLASS 14.0	27-44-02-02
ECLASS 15.0	27-44-02-02		

HDC 16B SBU 1M32 BP

Weidmüller Interface GmbH & Co. KG
Klingenbergstraße 26
D-32758 Detmold
Germany

Drawings

www.weidmueller.com



HDC 16B SBU 1M32 BP

Weidmüller Interface GmbH & Co. KG
 Klingenbergstraße 26
 D-32758 Detmold
 Germany

www.weidmueller.com

Accessories

Hood, Cable Entry sideways



Plastic enclosures are particularly suitable for applications where the resistance of metals is not sufficient. In addition, the enclosures shown here are lighter and slightly cheaper than standard aluminum enclosures. It can therefore make sense to use plastic enclosures in applications where the materials do not need to be as robust. The tightness is still IP65.

General ordering data

Type	HDC 40D TSBU 1M32 BP	Version	
Order No.	3107200000		HDC enclosures, Installation size: 6, Protection degree: IP65, in
GTIN (EAN)	4099987 172 127		plugged condition, Cable entry from side, Plug housing, Side-locking
Qty.	1 ST		clamp on lower side, high, Size of cable entries: M 32, M 40

Hood, Cable Entry at top

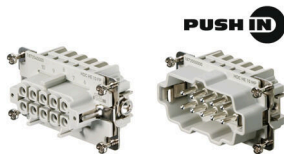


Plastic enclosures are particularly suitable for applications where the resistance of metals is not sufficient. In addition, the enclosures shown here are lighter and slightly cheaper than standard aluminum enclosures. It can therefore make sense to use plastic enclosures in applications where the materials do not need to be as robust. The tightness is still IP65.

General ordering data

Type	HDC 40D TOBU 1M32 BP	Version	
Order No.	3164310000		HDC enclosures, Installation size: 6, Protection degree: IP65, in
GTIN (EAN)	4099987800181		plugged condition, Cable entry from top, Plug housing, Side-locking
Qty.	1 ST		clamp on lower side, high, Size of cable entries: M 32, M 40

Size 4



The PUSH IN connection is a direct-insert method of connection. The preprocessed wire can be inserted directly into the wire connection without the need for any tools.

Number of poles: 10

Rated current: 16 A

Rated voltage: 500 V

Nominal voltage acc. to UL/CSA: 600 V AC/DC

General ordering data

Type	HDC HE 10 FP	Version	
Order No.	1873540000		HDC insert, Female, 500 V, 16 A, Number of poles: 10, PUSH IN,
GTIN (EAN)	4032248458158		Installation size: 4
Qty.	1 ST		

HDC 16B SBU 1M32 BP

Weidmüller Interface GmbH & Co. KG
 Klingenbergstraße 26
 D-32758 Detmold
 Germany

www.weidmueller.com

Accessories

Type	HDC HE 10 MP	Version
Order No.	1873550000	HDC insert, Male, 500 V, 16 A, Number of poles: 10, PUSH IN,
GTIN (EAN)	4032248458165	Installation size: 4
Qty.	1 ST	

IP68 version



In addition to the extensive range of enclosures, Weidmüller offers a variety of cable glands for a wide range of applications. The cable glands made of brass, plastic and stainless steel meet the most various IP protection classes to suit any industrial enclosure. Depending on the series of cable glands and the application, the cable glands are approved and tested according to VDE, UL, UR, cULus, DNV GL or EN 45545.

General ordering data

Type	VG M32-1/K68	Version
Order No.	1909880000	VG K (standard plastic cable gland), Cable glands, straight, M 32, 10
GTIN (EAN)	4032248536801	mm, OD min. 15 - OD max. 21 mm, IP54, IP66, IP67, IP68 - 5 bar (30
Qty.	20 ST	min.), Polyamide 6