

HDC 10B SBU 1M25 BP**Weidmüller Interface GmbH & Co. KG**

Klingenbergstraße 26

D-32758 Detmold

Germany

www.weidmueller.com



Plastic enclosures are particularly suitable for applications where the resistance of metals is not sufficient. In addition, the enclosures shown here are lighter and slightly cheaper than standard aluminum enclosures. It can therefore make sense to use plastic enclosures in applications where the materials do not need to be as robust. The tightness is still IP65.

General ordering data

Version	HDC enclosures, Installation size: 4, Protection degree: IP65, in plugged condition, Base housing, Side-locking clamp on lower side, Standard, Size of cable entries: 1*M25, M 25, M 32
Order No.	3164390000
Type	HDC 10B SBU 1M25 BP
GTIN (EAN)	4099987800648
Qty.	1 items

HDC 10B SBU 1M25 BP

Weidmüller Interface GmbH & Co. KG
 Klingenbergstraße 26
 D-32758 Detmold
 Germany

www.weidmueller.com

Technical data

Approvals

ROHS Conform

Dimensions and weights

Depth	100.02 mm	Depth (inches)	3.9378 inch
Height	81.5 mm	Height (inches)	3.2087 inch
Width	57 mm	Width (inches)	2.2441 inch
Length	100.02 mm	Length (inches)	3.9378 inch
Net weight	235 g		

Temperatures

Limit temperature -40 °C ... 125 °C

Environmental Product Compliance

RoHS Compliance Status Compliant without exemption
 REACH SVHC No SVHC above 0.1 wt%

Dimensions

Cable entry w. thread

General data

UL 94 flammability rating V-0 Surface finish untreated
 Protection degree IP65, in plugged condition

Version

Size of cable entries	1*M25, M 25, M 32	Top part/bottom part/lid	lower part
Cover	without cover	Number of cable entry on top	0
Number of cable entry sideways	1	Design of housing	Base housing
Design of locking system	Side-locking clamp on lower side	Design	Standard
Installation size	4	Cable entry	w. thread
Type	Base housing	Clamp version	Side-locking clamp
Sealing	NBR	Internal thread	M 25
Colour (RAL)	RAL 9011	BG	4
Suitable for ModuPlug®	No		

Classifications

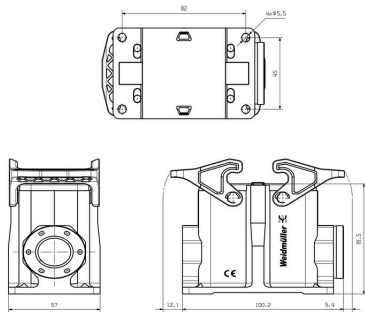
ETIM 8.0	EC000437	ETIM 9.0	EC000437
ETIM 10.0	EC000437	ECLASS 14.0	27-44-02-02
ECLASS 15.0	27-44-02-02		

HDC 10B SBU 1M25 BP

Weidmüller Interface GmbH & Co. KG
Klingenbergstraße 26
D-32758 Detmold
Germany

Drawings

www.weidmueller.com



HDC 10B SBU 1M25 BP

Weidmüller Interface GmbH & Co. KG
 Klingenbergstraße 26
 D-32758 Detmold
 Germany

www.weidmueller.com

Accessories

Hood, Cable Entry sideways



Plastic enclosures are particularly suitable for applications where the resistance of metals is not sufficient. In addition, the enclosures shown here are lighter and slightly cheaper than standard aluminum enclosures. It can therefore make sense to use plastic enclosures in applications where the materials do not need to be as robust. The tightness is still IP65.

General ordering data

Type	HDC 24D TSBU 1M25 BP	Version
Order No.	3164360000	HDC enclosures, Installation size: 4, Protection degree: IP65, in plugged condition, Cable entry from side, Plug housing, Side-locking clamp on lower side, high, Size of cable entries: 1*M25, M 25, M 32
GTIN (EAN)	4099987800587	
Qty.	1 ST	
Type	HDC 24D TSBU 1M32 BP	Version
Order No.	3107190000	HDC enclosures, Installation size: 4, Protection degree: IP65, in plugged condition, Cable entry from side, Plug housing, Side-locking clamp on lower side, high, Size of cable entries: M 32
GTIN (EAN)	4099987172103	
Qty.	1 ST	

Hood, Cable Entry at top



Plastic enclosures are particularly suitable for applications where the resistance of metals is not sufficient. In addition, the enclosures shown here are lighter and slightly cheaper than standard aluminum enclosures. It can therefore make sense to use plastic enclosures in applications where the materials do not need to be as robust. The tightness is still IP65.

General ordering data

Type	HDC 24D TOBU 1M32 BP	Version
Order No.	3164300000	HDC enclosures, Installation size: 4, Protection degree: IP65, in plugged condition, Cable entry from top, Plug housing, Side-locking clamp on lower side, high, Size of cable entries: M 32
GTIN (EAN)	4099987800167	
Qty.	1 ST	
Type	HDC 24D TOBU 1M25 BP	Version
Order No.	3164340000	HDC enclosures, Installation size: 4, Protection degree: IP65, in plugged condition, Cable entry from top, Plug housing, Side-locking clamp on lower side, high, Size of cable entries: 1*M25, M 25, M 32
GTIN (EAN)	4099987800549	
Qty.	1 ST	

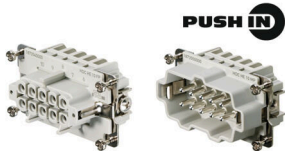
HDC 10B SBU 1M25 BP

Weidmüller Interface GmbH & Co. KG
 Klingenbergstraße 26
 D-32758 Detmold
 Germany

www.weidmueller.com

Accessories

Size 4



The PUSH IN connection is a direct-insert method of connection. The preprocessed wire can be inserted directly into the wire connection without the need for any tools.

Number of poles: 10

Rated current: 16 A

Rated voltage: 500 V

Nominal voltage acc. to UL/CSA: 600 V AC/DC

General ordering data

Type	HDC HE 10 FP	Version
Order No.	1873540000	HDC insert, Female, 500 V, 16 A, Number of poles: 10, PUSH IN,
GTIN (EAN)	4032248458158	Installation size: 4
Qty.	1 ST	
Type	HDC HE 10 MP	Version
Order No.	1873550000	HDC insert, Male, 500 V, 16 A, Number of poles: 10, PUSH IN,
GTIN (EAN)	4032248458165	Installation size: 4
Qty.	1 ST	