

HDC 06B SBU 1M25 BP**Weidmüller Interface GmbH & Co. KG**

Klingenbergstraße 26

D-32758 Detmold

Germany

www.weidmueller.com

Plastic enclosures are particularly suitable for applications where the resistance of metals is not sufficient. In addition, the enclosures shown here are lighter and slightly cheaper than standard aluminum enclosures. It can therefore make sense to use plastic enclosures in applications where the materials do not need to be as robust. The tightness is still IP65.

General ordering data

Version	HDC enclosures, Installation size: 3, Protection degree: IP65, in plugged condition, Base housing, Side-locking clamp on lower side, Standard, Size of cable entries: M 25
Order No.	3164370000
Type	HDC 06B SBU 1M25 BP
GTIN (EAN)	4099987800600
Qty.	1 items

HDC 06B SBU 1M25 BP

Weidmüller Interface GmbH & Co. KG
 Klingenbergstraße 26
 D-32758 Detmold
 Germany

www.weidmueller.com

Technical data

Approvals

ROHS	Conform
------	---------

Dimensions and weights

Depth	89 mm	Depth (inches)	3.5039 inch
Height	75.1 mm	Height (inches)	2.9567 inch
Width	57 mm	Width (inches)	2.2441 inch
Mounting dimension - height	45 mm	Net weight	235 g

Temperatures

Limit temperature	-40 °C ... 125 °C
-------------------	-------------------

Environmental Product Compliance

RoHS Compliance Status	Compliant without exemption
REACH SVHC	No SVHC above 0.1 wt%

Dimensions

Cable entry	w. thread	Total length housing	100.2 mm
-------------	-----------	----------------------	----------

General data

UL 94 flammability rating	V-0	Surface finish	untreated
Protection degree	IP65, in plugged condition		

Version

Size of cable entries	M 25	Top part/bottom part/lid	lower part
Cover	without cover	Number of cable entry on top	0
Number of cable entry sideways	1	Design of housing	Base housing
Design of locking system	Side-locking clamp on lower side	Design	Standard
Installation size	3	Cable entry	w. thread
Type	Base housing	Clamp version	Side-locking clamp
Sealing	NBR	Internal thread	M 25
Colour (RAL)	RAL 9011	BG	3
Suitable for ModuPlug®	No		

Classifications

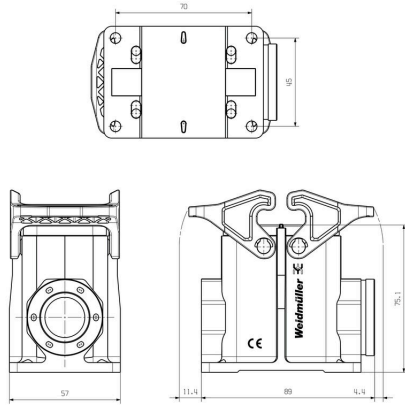
ETIM 8.0	EC000437	ETIM 9.0	EC000437
ETIM 10.0	EC000437	ECLASS 14.0	27-44-02-02
ECLASS 15.0	27-44-02-02		

HDC 06B SBU 1M25 BP

Weidmüller Interface GmbH & Co. KG
Klingenbergstraße 26
D-32758 Detmold
Germany

Drawings

www.weidmueller.com



HDC 06B SBU 1M25 BP

Weidmüller Interface GmbH & Co. KG
 Klingenbergstraße 26
 D-32758 Detmold
 Germany

www.weidmueller.com

Accessories

Hood, Cable Entry sideways



Plastic enclosures are particularly suitable for applications where the resistance of metals is not sufficient. In addition, the enclosures shown here are lighter and slightly cheaper than standard aluminum enclosures. It can therefore make sense to use plastic enclosures in applications where the materials do not need to be as robust. The tightness is still IP65.

General ordering data

Type	HDC 16D TSBU 1M25 BP	Version
Order No.	3164350000	HDC enclosures, Installation size: 3, Protection degree: IP65, in plugged condition, Cable entry from side, Plug housing, Side-locking clamp on lower side, Standard, Size of cable entries: 1*M25, M 25, M 32
GTIN (EAN)	4099987800563	
Qty.	1 ST	
Type	HDC 16D TSBU 1M32 BP	Version
Order No.	3107180000	HDC enclosures, Installation size: 3, Protection degree: IP65, in plugged condition, Cable entry from side, Plug housing, End-locking clamp, lower side, high, Size of cable entries: M 32
GTIN (EAN)	4099987172080	
Qty.	1 ST	

Hood, Cable Entry at top



Plastic enclosures are particularly suitable for applications where the resistance of metals is not sufficient. In addition, the enclosures shown here are lighter and slightly cheaper than standard aluminum enclosures. It can therefore make sense to use plastic enclosures in applications where the materials do not need to be as robust. The tightness is still IP65.

General ordering data

Type	HDC 16D TOBU 1M25 BP	Version
Order No.	3164330000	HDC enclosures, Installation size: 3, Protection degree: IP65, in plugged condition, Cable entry from top, Plug housing, Side-locking clamp on lower side, Standard, Size of cable entries: M 25, M 32
GTIN (EAN)	4099987800525	
Qty.	1 ST	
Type	HDC 16D TOBU 1M32 BP	Version
Order No.	3164290000	HDC enclosures, Installation size: 3, Protection degree: IP65, in plugged condition, Cable entry from top, Plug housing, Side-locking clamp on lower side, Standard, Size of cable entries: M 32
GTIN (EAN)	4099987800143	
Qty.	1 ST	

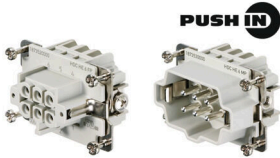
HDC 06B SBU 1M25 BP

Weidmüller Interface GmbH & Co. KG
 Klingenbergstraße 26
 D-32758 Detmold
 Germany

www.weidmueller.com

Accessories

Size 3



The PUSH IN connection is a direct-insert method of connection. The preprocessed wire can be inserted directly into the wire connection without the need for any tools.

Number of poles: 6

Rated current: 24 A

Rated voltage: 500 V

Nominal voltage acc. to UL/CSA: 600 V AC/DC

General ordering data

Type	HDC HE 6 FP	Version
Order No.	1873520000	HDC insert, Female, 500 V, 24 A, Number of poles: 6, PUSH IN,
GTIN (EAN)	4032248457779	Installation size: 3
Qty.	1 ST	
Type	HDC HE 6 MP	Version
Order No.	1873530000	HDC insert, Male, 500 V, 24 A, Number of poles: 6, PUSH IN,
GTIN (EAN)	4032248457786	Installation size: 3
Qty.	1 ST	