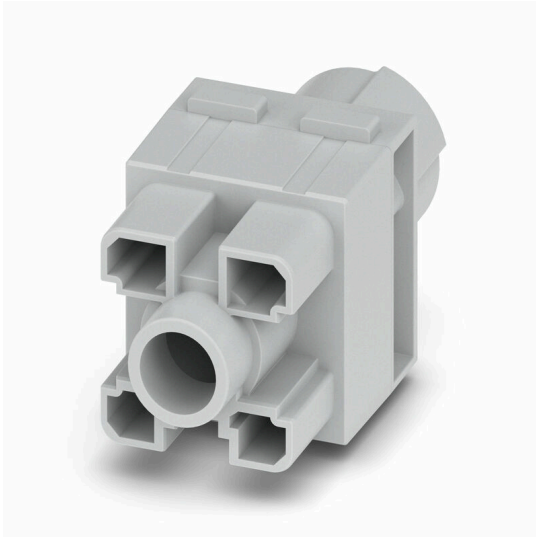


HDC MHP 200 FC 2

Weidmüller Interface GmbH & Co. KG
Klingenbergstraße 26
D-32758 Detmold
Germany

www.weidmueller.com

**Flexible**

The four module sizes make for individual plug solutions that save a huge amount of space. The smaller pitch translates into an optimised design too.

General ordering data

Version	Module, 1000 V, 200 A, Number of poles: 1, Crimp connection, Female, Required plug-in slots: 2
Order No.	3157250000
Type	HDC MHP 200 FC 2
GTIN (EAN)	4099987663472
Qty.	1 items

HDC MHP 200 FC 2

Weidmüller Interface GmbH & Co. KG
 Klingenbergstraße 26
 D-32758 Detmold
 Germany

www.weidmueller.com

Technical data

Approvals

Approvals



ROHS Conform

Dimensions and weights

Depth	34 mm	Depth (inches)	1.3386 inch
Height	59.6 mm	Height (inches)	2.3465 inch
Width	34 mm	Width (inches)	1.3386 inch
Net weight	21 g		

Temperatures

Limit temperature -40 °C ... 125 °C

Environmental Product Compliance

RoHS Compliance Status Compliant without exemption
 REACH SVHC No SVHC above 0.1 wt%

General data

Number of poles	1	UL 94 flammability rating	V-0
Insulation resistance	10 ¹² Ω	Plugging cycles	≥ 500
Type	Female	Surge voltage category	III
Pollution severity	3	Basic material	Polycarbonate, glass fibre reinforced
Series	ModuPlug	Rated voltage (DIN EN 61984)	1000 V
Rated voltage according to UL/CSA	600 V	Rated impulse voltage (DIN EN 61984)	8 kV
Rated current (DIN EN 61984)	200 A	Required plug-in slots	2

PE connection data

Connection type PE Screw connection via module frame

Version

Stripping length, rated connection	19 mm	Type of connection	Crimp connection
Conductor cross-section, max.	70 mm ²	Conductor cross-section, min.	25 mm ²

Classifications

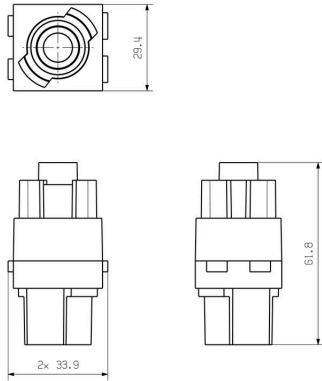
ETIM 8.0	EC000438	ETIM 9.0	EC000438
ETIM 10.0	EC000438	ECLASS 14.0	27-44-02-17
ECLASS 15.0	27-44-02-17		

HDC MHP 200 FC 2

Weidmüller Interface GmbH & Co. KG
Klingenbergstraße 26
D-32758 Detmold
Germany

Drawings

www.weidmueller.com



HDC MHP 200 FC 2

Weidmüller Interface GmbH & Co. KG
 Klingenbergstraße 26
 D-32758 Detmold
 Germany

www.weidmueller.com

Accessories

200 A crimp contacts



Crimps provide a electrical and mechanical connection between wire and contact that is both secure and reliable. The optimal crimp connection is gas-tight and corrosion-resistant.

General ordering data

Type	HDC MHP200 F 16 2	Version	
Order No.	3158630000	Female, silver, 16 - 16 mm ²	
GTIN (EAN)	4099987671026		
Qty.	1 ST		
Type	HDC MHP200 F 25 2	Version	
Order No.	3157350000	Female, silver, 25 - 25 mm ²	
GTIN (EAN)	4099987663571		
Qty.	1 ST		
Type	HDC MHP200 F 35 2	Version	
Order No.	3157360000	Female, silver, 35 - 35 mm ²	
GTIN (EAN)	4099987663588		
Qty.	1 ST		
Type	HDC MHP200 F 50 2	Version	
Order No.	3157370000	Female, silver, 50 - 50 mm ²	
GTIN (EAN)	4099987663595		
Qty.	1 ST		
Type	HDC MHP200 F 70 2	Version	
Order No.	3157380000	Female, silver, 70 - 70 mm ²	
GTIN (EAN)	4099987663601		
Qty.	1 ST		

Miscellaneous



In addition to heavy-duty connectors, RockStar® includes the appropriate accessories for effective, functional and safe system cabling; e.g. coding systems, shield clamps, cover plates and replacement seals

General ordering data

Type	HDC MHP200 REMOVAL TOOL	Version	
Order No.	2617240000		
GTIN (EAN)	4050118705430		
Qty.	1 ST		