

SAIBWP-P-4A-4/8-P12

Weidmüller Interface GmbH & Co. KG
Klingenbergstraße 26
D-32758 Detmold
Germany

www.weidmueller.com



Individual cable lengths are often required nowadays. In order to meet these demands, Weidmüller offers a wide range of plug-in connectors for custom assembly. Male plugs and female socket for customisable assembly for M8, M12, M16 and 7/8" connections which are highly robust and ideally suited to machine engineering, for instance. The M12 plug-in connectors offer a choice of 5 different connection systems.

General ordering data

Version	Field attachable connector, M12 Push-Pull
Order No.	3153320000
Type	SAIBWP-P-4A-4/8-P12
GTIN (EAN)	4099987636193
Qty.	1 items

SAIBWP-P-4A-4/8-P12

Weidmüller Interface GmbH & Co. KG
 Klingenbergstraße 26
 D-32758 Detmold
 Germany

www.weidmueller.com

Technical data

Approvals

Approvals



ROHS Conform

Dimensions and weights

Width	49 mm	Width (inches)	1.9291 inch
Diameter	18.6 mm	Net weight	21 g

Environmental Product Compliance

RoHS Compliance Status	Compliant without exemption
REACH SVHC	No SVHC above 0.1 wt%

Technical data customisable plug-in connectors

Number of poles	4		
Coding	A-coded		
Contact surface	Ni/Au		
Type of connection	PUSH IN		
Housing main material	PA 66		
Insulation resistance	≥ 100 MΩ		
Cable diameter, max.	8 mm		
Cable diameter, min.	3 mm		
Contact material	CuSn		
Conductor cross-section, max.	0.75 mm ²		
Conductor cross-section, min.	0.14 mm ²		
Nominal current	4 A		
Protection degree	IP65, IP67		
Plugging cycles	≥ 100		
Pollution severity	3		
Gender of contact	Female		
Rated voltage	Rated voltage	250 V	
	Voltage type	AC/DC	
	Rated voltage	60 V	
	Voltage type	DC	
Shield connection	No		
Threaded ring material	Plastic		
Temperature range of housing	-40 ... +85 ° C		

General Info

Number of poles	4	Connection 1	M12
Connection 2	PUSH IN	UL 94 flammability rating	V-0
Housing main material	PA 66	Connection thread	M12 Push-Pull
Contact material	CuSn	Contact surface	Ni/Au
Wire cross-section, solid, min. (AWG)	AWG 26	Wire cross-section, solid, max. (AWG)	AWG 18
Wire connection cross section, finely stranded, min.	0.14 mm ²	Wire connection cross section, finely stranded, max.	0.75 mm ²
Wire connection cross-section, finely stranded with wire-end ferrules DIN 46228/1, min.	0.08 mm ²	Wire connection cross-section, finely stranded with wire-end ferrules DIN 46228/1, max.	0.5 mm ²
Wire cross-section, solid, min.	0.14 mm ²	Wire cross-section, solid, max.	0.75 mm ²

SAIBWP-P-4A-4/8-P12

Weidmüller Interface GmbH & Co. KG
Klingenbergstraße 26
D-32758 Detmold
Germany

www.weidmueller.com

Technical data

Contact holder materials	PA	Shielding	No
Protection degree	IP65, IP67	Plugging cycles	≥ 100

Standards

Connector standard	IEC 61076-2-010, IEC 61076-2-101
--------------------	----------------------------------

Classifications

ETIM 8.0	EC002635	ETIM 9.0	EC002635
ETIM 10.0	EC002635	ECLASS 14.0	27-44-01-16
ECLASS 15.0	27-44-01-16		

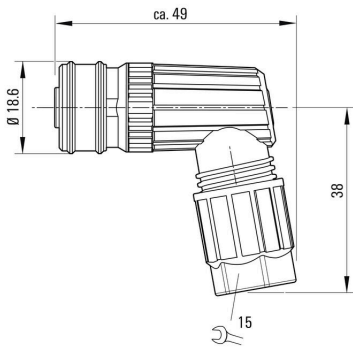
SAIBWP-P-4A-4/8-P12

Weidmüller Interface GmbH & Co. KG
Klingenbergstraße 26
D-32758 Detmold
Germany

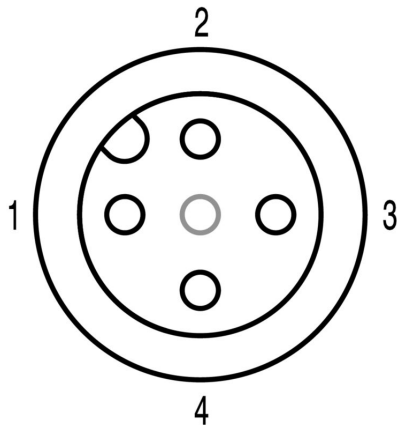
www.weidmueller.com

Drawings

Dimensioned drawing



Pole scheme



SAIBWP-P-4A-4/8-P12

Weidmüller Interface GmbH & Co. KG
Klingenbergstraße 26
D-32758 Detmold
Germany

Drawings

www.weidmueller.com

