

**SAISWP-P-4A-4/8-P12****Weidmüller Interface GmbH & Co. KG**

Klingenbergstraße 26

D-32758 Detmold

Germany

[www.weidmueller.com](http://www.weidmueller.com)

Individual cable lengths are often required nowadays. In order to meet these demands, Weidmüller offers a wide range of plug-in connectors for custom assembly. Male plugs and female socket for customisable assembly for M8, M12, M16 and 7/8" connections which are highly robust and ideally suited to machine engineering, for instance. The M12 plug-in connectors offer a choice of 5 different connection systems.

**General ordering data**

|            |   |
|------------|---|
| Version    | Field attachable connector, M12 Push-Pull |
| Order No.  | <a href="#">3153300000</a>                |
| Type       | SAISWP-P-4A-4/8-P12                       |
| GTIN (EAN) | 4099987636179                             |
| Qty.       | 1 items                                   |

**SAISWP-P-4A-4/8-P12**

**Weidmüller Interface GmbH & Co. KG**  
 Klingenbergstraße 26  
 D-32758 Detmold  
 Germany

www.weidmueller.com

**Technical data**

**Approvals**

Approvals



ROHS Conform

**Dimensions and weights**

|          |         |                |             |
|----------|---------|----------------|-------------|
| Width    | 49 mm   | Width (inches) | 1.9291 inch |
| Diameter | 19.9 mm | Net weight     | 12 g        |

**Environmental Product Compliance**

|                        |                             |
|------------------------|-----------------------------|
| RoHS Compliance Status | Compliant without exemption |
| REACH SVHC             | No SVHC above 0.1 wt%       |

**Technical data customisable plug-in connectors**

|                               |                      |       |  |
|-------------------------------|----------------------|-------|--|
| Number of poles               | 4                    |       |  |
| Coding                        | A-coded              |       |  |
| Contact surface               | Ni/Au                |       |  |
| Type of connection            | PUSH IN              |       |  |
| Housing main material         | PA 66                |       |  |
| Insulation resistance         | ≥ 100 MΩ             |       |  |
| Cable diameter, max.          | 8 mm                 |       |  |
| Cable diameter, min.          | 3 mm                 |       |  |
| Contact material              | CuSn                 |       |  |
| Conductor cross-section, max. | 0.75 mm <sup>2</sup> |       |  |
| Conductor cross-section, min. | 0.14 mm <sup>2</sup> |       |  |
| Nominal current               | 4 A                  |       |  |
| Protection degree             | IP65, IP67           |       |  |
| Plugging cycles               | ≥ 100                |       |  |
| Pollution severity            | 3                    |       |  |
| Gender of contact             | Male                 |       |  |
| Rated voltage                 | Rated voltage        | 250 V |  |
|                               | Voltage type         | AC/DC |  |
|                               | Rated voltage        | 60 V  |  |
|                               | Voltage type         | DC    |  |
| Shield connection             | No                   |       |  |
| Threaded ring material        | Plastic              |       |  |
| Temperature range of housing  | -40 ... +85 ° C      |       |  |

**General Info**

|   |                      |   |                      |
|---|----------------------|---|----------------------|
| Number of poles   | 4                    | Connection 1  | M12                  |
| Connection 2  | PUSH IN              | UL 94 flammability rating   | V-0                  |
| Housing main material   | PA 66                | Connection thread   | M12 Push-Pull        |
| Contact material  | CuSn                 | Contact surface   | Ni/Au                |
| Wire cross-section, solid, min. (AWG)   | AWG 26               | Wire cross-section, solid, max. (AWG)   | AWG 18               |
| Wire connection cross section, finely stranded, min.                                    | 0.14 mm <sup>2</sup> | Wire connection cross section, finely stranded, max.                                    | 0.75 mm <sup>2</sup> |
| Wire connection cross-section, finely stranded with wire-end ferrules DIN 46228/1, min. | 0.08 mm <sup>2</sup> | Wire connection cross-section, finely stranded with wire-end ferrules DIN 46228/1, max. | 0.5 mm <sup>2</sup>  |
| Wire cross-section, solid, min.   | 0.14 mm <sup>2</sup> | Wire cross-section, solid, max.   | 0.75 mm <sup>2</sup> |

## SAISWP-P-4A-4/8-P12

**Weidmüller Interface GmbH & Co. KG**  
Klingenbergstraße 26  
D-32758 Detmold  
Germany

[www.weidmueller.com](http://www.weidmueller.com)

## Technical data

|                          |            |                 |       |
|--------------------------|------------|-----------------|-------|
| Contact holder materials | PA         | Shielding       | No    |
| Protection degree        | IP65, IP67 | Plugging cycles | ≥ 100 |

### Standards

|                    |                                  |
|--------------------|----------------------------------|
| Connector standard | IEC 61076-2-010, IEC 61076-2-101 |
|--------------------|----------------------------------|

### Classifications

|             |             |             |             |
|-------------|-------------|-------------|-------------|
| ETIM 8.0    | EC002635    | ETIM 9.0    | EC002635    |
| ETIM 10.0   | EC002635    | ECLASS 14.0 | 27-44-01-16 |
| ECLASS 15.0 | 27-44-01-16 |             |             |

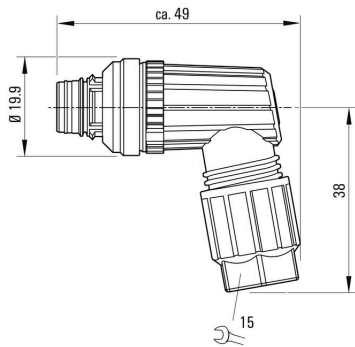
SAISWP-P-4A-4/8-P12

Weidmüller Interface GmbH & Co. KG  
Klingenbergstraße 26  
D-32758 Detmold  
Germany

[www.weidmueller.com](http://www.weidmueller.com)

Drawings

Dimensioned drawing



Pole scheme



**SAISWP-P-4A-4/8-P12**

**Weidmüller Interface GmbH & Co. KG**  
Klingenbergstraße 26  
D-32758 Detmold  
Germany

**Drawings**

[www.weidmueller.com](http://www.weidmueller.com)

