

**SAIBGP-M-4A-M12-WDF**

**Weidmüller Interface GmbH & Co. KG**  
Klingenbergstraße 26  
D-32758 Detmold  
Germany

www.weidmueller.com



**General ordering data**

Order No.	3150950000
Type	<a href="#">SAIBGP-M-4A-M12-WDF</a>
GTIN (EAN)	4099987610872
Qty.	1 items

## SAIBGP-M-4A-M12-WDF

**Weidmüller Interface GmbH & Co. KG**  
 Klingenbergstraße 26  
 D-32758 Detmold  
 Germany

www.weidmueller.com

## Technical data

### Approvals

Approvals	CULUS
ROHS	Conform
UL File Number Search	<a href="#">UL Website</a>
Certificate no. (cULus)	E307231

### Dimensions and weights

Diameter	29 mm	Wall thickness, max.	5 mm
Net weight	27 g		

### Technical data customisable plug-in connectors

Number of poles	4	
Coding	A-coded	
Contact surface	Ni/Au	
LED	No	
Type of connection	PUSH IN	
Housing main material	PA 66	
Insulation resistance	≥ 100 MΩ	
Cable diameter, max.	8 mm	
Cable diameter, min.	4 mm	
Conductor cross-section, max.	0.75 mm <sup>2</sup>	
Conductor cross-section, min.	0.14 mm <sup>2</sup>	
Nominal voltage	60 V	
Nominal current	4 A	
Protection degree	IP67	
Plugging cycles	≥ 100	
Pollution severity	3	
Gender of contact	Female	
Rated voltage	Rated voltage	48 V
	Voltage type	AC
	Rated voltage	60 V
	Voltage type	DC
Shield connection	No	
Threaded ring material	Diecast zinc	
Temperature range of housing	-40 ... +85 °C	

### Standards

Connector standard	IEC 61076-2-101
--------------------	-----------------

### General technical specifications

Number of poles	4	Coding	A-coded
Connection thread	M12	Contact surface	Ni/Au
LED	No	Type of connection	PUSH IN
UL 94 flammability rating	V-0	Housing main material	PA 66
Insulation resistance	≥ 100 MΩ	Wire cross-section, solid, max.	0.75 mm <sup>2</sup>
Wire cross-section, solid, min.	0.14 mm <sup>2</sup>	Wire connection cross section, finely stranded, max.	0.75 mm <sup>2</sup>
Wire connection cross section, finely stranded, min.	0.14 mm <sup>2</sup>	Nominal voltage	60 V
Nominal current	4 A	Protection degree	IP67
Plugging cycles	≥ 100	Pollution severity	3
Threaded ring material	Diecast zinc	Temperature range of housing	-40 ... +85 °C

**SAIBGP-M-4A-M12-WDF**

**Weidmüller Interface GmbH & Co. KG**  
Klingenbergstraße 26  
D-32758 Detmold  
Germany

[www.weidmueller.com](http://www.weidmueller.com)

**Technical data**

**Classifications**

ETIM 8.0	EC002635	ETIM 9.0	EC002635
ETIM 10.0	EC002635	ECLASS 14.0	27-44-01-16
ECLASS 15.0	27-44-01-16		

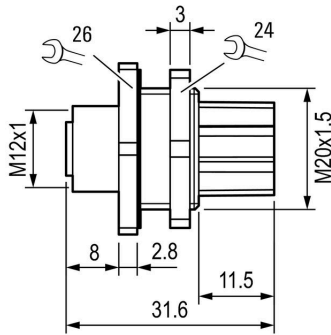
SAIBGP-M-4A-M12-WDF

Weidmüller Interface GmbH & Co. KG  
Klingenbergstraße 26  
D-32758 Detmold  
Germany

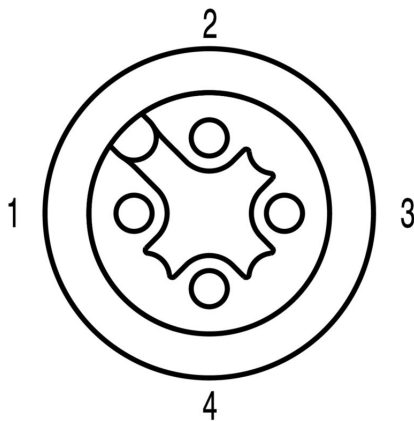
Drawings

[www.weidmueller.com](http://www.weidmueller.com)

Dimensioned drawing



Pole scheme

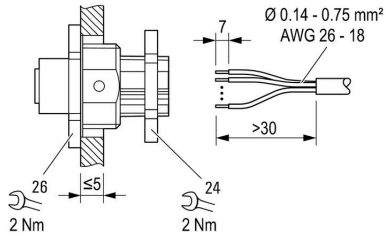


**SAIBGP-M-4A-M12-WDF**

**Weidmüller Interface GmbH & Co. KG**  
Klingenbergstraße 26  
D-32758 Detmold  
Germany

**Drawings**

[www.weidmueller.com](http://www.weidmueller.com)





**SAIBGP-M-4A-M12-WDF**

**Weidmüller Interface GmbH & Co. KG**  
Klingenbergstraße 26  
D-32758 Detmold  
Germany

[www.weidmueller.com](http://www.weidmueller.com)

**Accessories****Brass nuts for EMC**

In addition to cable glands for a wide range of applications, the product portfolio is rounded off by plugs, pressure compensation elements, adaptors and the corresponding accessories such as locknuts, sealing rings, flat washers and earthing rings.

**General ordering data**

Type	SKMU EMV M20	Version	
Order No.	<a href="#">1777630000</a>	SKMU MS EMV (brass locknut - EMC), Locknut, M 20, 3.6 mm, Brass,	
GTIN (EAN)	4032248 157907	nickel-plated	
Qty.	100 ST		