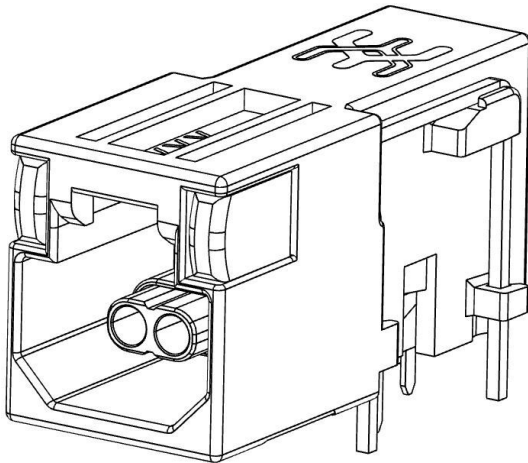


## SPE P20 R1H 2.1 6 YG/YG TU

**Weidmüller Interface GmbH & Co. KG**  
 Klingenbergstraße 26  
 D-32758 Detmold  
 Germany

www.weidmueller.com



**SPElink®**

### Single Pair Ethernet PCB sockets

Single pair Ethernet is a technology that only requires one pair of wires to transmit data and power.

The resulting benefits will make SPE the preferred network at the field level and beyond.

Advantages of Single Pair Ethernet:

- Consistent: Single Pair Ethernet enables uniform Ethernet-based communication from the sensor to the cloud
- Future-proof: key technology for Industry 4.0 and IIoT
- Flexible: ranges of up to 1000 m and transmission properties of up to 1 Gbps enable use across applications
- Innovative: lighter, less space required, and reduced installation effort

### General ordering data

Version	, SPE (Single Pair Ethernet), Clip-on flange, THT/THR solder connection, 1.80 mm, Number of poles: 2, 90°, Solder pin length (l): 2.1 mm, Ni/Au, black, Tube
Order No.	<a href="#">3150590000</a>
Type	SPE P20 R1H 2.1 6 YG/YG TU
GTIN (EAN)	4099987609883
Qty.	61 items
Packaging	Tube

## SPE P20 R1H 2.1 6 YG/YG TU

Weidmüller Interface GmbH &amp; Co. KG

Klingenbergstraße 26

D-32758 Detmold

Germany

www.weidmueller.com

## Technical data

## Dimensions and weights

Depth	21.5 mm	Depth (inches)	0.8465 inch
Height	10.3 mm	Height (inches)	0.4055 inch
Height of lowest version	10.3 mm	Width	9 mm
Width (inches)	0.3543 inch	Net weight	1.7 g

## Temperatures

Installation temperature	-40 °C ... 85 °C
--------------------------	------------------

## System specifications

Number of poles	2	LED	Yes
Solder pin length (l)	2.1 mm	Mounting onto the PCB	THT/THR solder connection
Pitch in inches (P)	0.071 "	Shielding material	CuSn
Shielding	Yes	Side termination, characteristic	Clip-on flange
Transmission rate	10/100 MBit/s, 1000 MBit/s, 10/100/1000 MBit/s	Type of connection	Solder connection
Category	CAT B (ISO/IEC 63171)	Pitch in mm (P)	1.80 mm
Protection degree	IP20	Plugging cycles	750
Outgoing elbow	90°	Shield surface	tinned
Colour of right LED	Green/yellow	Performance-Category	CAT B (ISO/IEC 63171) 10/100 MBit/s, 1000 MBit/s, 10/100/1000 MBit/s
Soldering process	Reflow soldering, Manual soldering, Wave soldering	Latch option	top
Solder pin dimensions	Octagonal	Colour of left LED	Green/yellow

## Electrical properties

Dielectric strength, contact / shield	2250 V DC	Dielectric strength, contact / contact	1000 V DC
Insulation resistance	≥ 500 MΩ	Nominal voltage	72 V
PoE / PoE+	PoDL acc. to IEEE 802.3bu / cg		

## Material data

Insulating material	LCP, PA 9T	Colour	black
Colour chart (similar)	RAL 9011	Insulation resistance	≥ 500 MΩ
Moisture Level (MSL)	1	UL 94 flammability rating	V-0
Contact base material	CuMg	Contact material	Cu-alloy
Contact surface	Ni/Au	Layer structure of solder connection	2...4 μm Ni / ≥ 0.25 μm Au
Storage temperature, min.	-40 °C	Storage temperature, max.	85 °C
Operating temperature, min.	-40 °C	Operating temperature, max.	85 °C

## Packing

Packaging	Tube	VPE length	0.00 mm
VPE width	0.00 mm	VPE height	0.00 mm

## Important note

Notes

**SPE P20 R1H 2.1 6 YG/YG TU**

**Weidmüller Interface GmbH & Co. KG**  
Klingenbergstraße 26  
D-32758 Detmold  
Germany

[www.weidmueller.com](http://www.weidmueller.com)

**Technical data**

**Classifications**

ETIM 8.0	EC002637	ETIM 9.0	EC002637
ETIM 10.0	EC002637	ECLASS 14.0	27-46-02-01
ECLASS 15.0	27-46-02-01		

**SPE P20 R1H 2.1 6 YG/YG TU**

**Weidmüller Interface GmbH & Co. KG**  
Klingenbergstraße 26  
D-32758 Detmold  
Germany

**Drawings**

[www.weidmueller.com](http://www.weidmueller.com)

