

**HDC 24B TSS 1M32G ATEX****Weidmüller Interface GmbH & Co. KG**

Klingenbergstraße 26

D-32758 Detmold

Germany

www.weidmueller.com



The option of separating cables in Zone 2 that comply with the following approvals ATEX: T II 3G Ex ec IIC T6 Gc or IECEX: Ex ec IIC T6 Gc simplifies installation, service and enables better preparation. The approved connectors offered here must always be used complete with the corresponding approved housings and inserts and may only be disconnected without load.

**General ordering data**

Version	HDC enclosures, Installation size: 8, Protection degree: IP55, Plug housing, Clamping yoke connection, Standard, Size of cable entries: M 32
Order No.	<a href="#">3140030000</a>
Type	HDC 24B TSS 1M32G ATEX
GTIN (EAN)	4099987382397
Qty.	1 items

## HDC 24B TSS 1M32G ATEX

Weidmüller Interface GmbH & Co. KG  
Klingenbergstraße 26  
D-32758 Detmold  
Germany

www.weidmueller.com

## Technical data

## Approvals

Approvals



## Dimensions and weights

Depth	191 mm	Depth (inches)	7.5197 inch
Height	111 mm	Height (inches)	4.3701 inch
Width	58 mm	Width (inches)	2.2835 inch
Net weight	660 g		

## Temperatures

Ambient temperature	-20 °C...40 °C	Limit temperature	-20 °C ... 80 °C
---------------------	----------------	-------------------	------------------

## Environmental Product Compliance

RoHS Compliance Status	Compliant without exemption
REACH SVHC	No SVHC above 0.1 wt%

## Dimensions

Width	58 mm
-------	-------

## General data

Tightening torque	6.5 Nm	Design of housing	Plug housing
Installation size	8	UL 94 flammability rating	V-0
Colour	grey	Housing main material	diecast aluminium
Surface finish	Miscellaneous	Type	Plug
Free from halogens	false	EMC housings	Yes
BG	8	Material of locking element	Stainless steel, rust-proof
Protection degree	IP55		

## Rating data IECEx/ATEX

Certificate No. (IECEX)	TUEV24ATEX9197X	Certificate No. (ATEX)	IECEXTUR24.0077X
-------------------------	-----------------	------------------------	------------------

## Version

Installation size	8	Surface finish	Miscellaneous
BG	8		

## Classifications

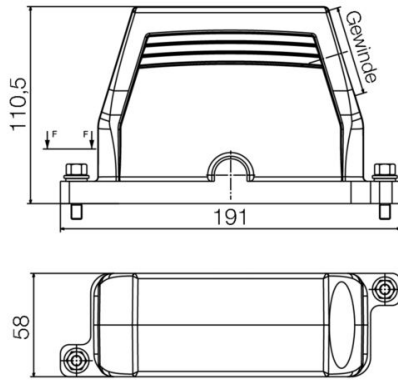
ETIM 8.0	EC000437	ETIM 9.0	EC000437
ETIM 10.0	EC000437	ECLASS 14.0	27-44-02-02
ECLASS 15.0	27-44-02-02		

**HDC 24B TSS 1M32G ATEX**

**Weidmüller Interface GmbH & Co. KG**  
Klingenbergstraße 26  
D-32758 Detmold  
Germany

**Drawings**

[www.weidmueller.com](http://www.weidmueller.com)



## HDC 24B TSS 1M32G ATEX

**Weidmüller Interface GmbH & Co. KG**  
 Klingenbergstraße 26  
 D-32758 Detmold  
 Germany

www.weidmueller.com

## Accessories

### Size 8 (24B)



The option of separating cables in Zone 2 that comply with the following approvals ATEX: T II 3G Ex ec IIC T6 Gc or IECEX: Ex ec IIC T6 Gc simplifies installation, service and enables better preparation. The approved connectors offered here must always be used complete with the corresponding approved housings and inserts and may only be disconnected without load.

### General ordering data

Type	HDC 24B SS 1M40G ATEX	Version
Order No.	<a href="#">3139880000</a>	HDC enclosures, Installation size: 8, Protection degree: IP55, Base
GTIN (EAN)	4099987382243	housing, Clamping yoke connection, Standard, Size of cable entries:
Qty.	1 ST	M 40
Type	HDC 24B SS 2M40G ATEX	Version
Order No.	<a href="#">3139890000</a>	HDC enclosures, Installation size: 8, Protection degree: IP55, Base
GTIN (EAN)	4099987382250	housing, Clamping yoke connection, Standard, Size of cable entries:
Qty.	1 ST	M 40
Type	HDC 24B AS ATEX	Version
Order No.	<a href="#">3139930000</a>	HDC enclosures, Installation size: 8, Protection degree: IP55, Bulkhead
GTIN (EAN)	4099987382298	housing, Clamping yoke connection, Standard, Size of cable entries:
Qty.	1 ST	none

### Size 8



The option of separating cables in Zone 2 that comply with the following approvals ATEX: T II 3G Ex ec IIC T6 Gc or IECEX: Ex ec IIC T6 Gc simplifies installation, service and enables better preparation. The approved connectors offered here must always be used complete with the corresponding approved housings and inserts and may only be disconnected without load.

### General ordering data

Type	HDC HDD 48 FC EX 1500	Version
Order No.	<a href="#">3116690000</a>	HDC insert, Female, 1500 V, Number of poles: 48, Crimp connection,
GTIN (EAN)	4099987235914	Installation size: 8
Qty.	1 ST	
Type	HDC HDD 48 MC EX 1500	Version
Order No.	<a href="#">3116670000</a>	HDC insert, Male, 1500 V, Number of poles: 48, Crimp connection,
GTIN (EAN)	4099987235792	Installation size: 8
Qty.	1 ST	
Type	HDC HDD 56 FC EX 1000	Version
Order No.	<a href="#">3116680000</a>	HDC insert, Female, 1000 V, Number of poles: 56, Crimp connection,
GTIN (EAN)	4099987235907	Installation size: 8
Qty.	1 ST	

## HDC 24B TSS 1M32G ATEX

**Weidmüller Interface GmbH & Co. KG**  
Klingenbergstraße 26  
D-32758 Detmold  
Germany

[www.weidmueller.com](http://www.weidmueller.com)

## Accessories

Type	HDC HDD 56 MC EX 1000	Version
Order No.	<a href="#">3116660000</a>	HDC insert, Male, 1000 V, Number of poles: 56, Crimp connection,
GTIN (EAN)	4099987235785	Installation size: 8
Qty.	1 ST	