

**HDC 24B TOS 1M32G ATEX****Weidmüller Interface GmbH & Co. KG**

Klingenbergstraße 26

D-32758 Detmold

Germany

[www.weidmueller.com](http://www.weidmueller.com)

The option of separating cables in Zone 2 that comply with the following approvals ATEX: T II 3G Ex ec IIC T6 Gc or IECEX: Ex ec IIC T6 Gc simplifies installation, service and enables better preparation. The approved connectors offered here must always be used complete with the corresponding approved housings and inserts and may only be disconnected without load.

**General ordering data**

|            |  |
|------------|--|
| Version    | HDC enclosures, Installation size: 8, Protection degree: IP55, Plug housing, Clamping yoke connection, Standard, Size of cable entries: M 32 |
| Order No.  | <a href="#">3140010000</a>   |
| Type       | HDC 24B TOS 1M32G ATEX   |
| GTIN (EAN) | 4099987382373  |
| Qty.       | 1 items  |

## HDC 24B TOS 1M32G ATEX

Weidmüller Interface GmbH & Co. KG  
Klingenbergstraße 26  
D-32758 Detmold  
Germany

www.weidmueller.com

## Technical data

## Approvals

Approvals



## Dimensions and weights

|            |        |                 |             |
|------------|--------|-----------------|-------------|
| Depth      | 191 mm | Depth (inches)  | 7.5197 inch |
| Height     | 111 mm | Height (inches) | 4.3701 inch |
| Width      | 58 mm  | Width (inches)  | 2.2835 inch |
| Net weight | 646 g  |                 |             |

## Temperatures

|                     |                |                   |                  |
|---------------------|----------------|-------------------|------------------|
| Ambient temperature | -20 °C...40 °C | Limit temperature | -20 °C ... 80 °C |
|---------------------|----------------|-------------------|------------------|

## Environmental Product Compliance

|                        |                             |
|------------------------|-----------------------------|
| RoHS Compliance Status | Compliant without exemption |
| REACH SVHC             | No SVHC above 0.1 wt%       |

## Dimensions

|       |       |
|-------|-------|
| Width | 58 mm |
|-------|-------|

## General data

|                    |               |                             |                             |
|--------------------|---------------|-----------------------------|-----------------------------|
| Tightening torque  | 6.5 Nm        | Design of housing           | Plug housing                |
| Installation size  | 8             | UL 94 flammability rating   | V-0                         |
| Colour             | grey          | Housing main material       | diecast aluminium           |
| Surface finish     | Miscellaneous | Type                        | Plug                        |
| Free from halogens | false         | EMC housings                | Yes                         |
| BG                 | 8             | Material of locking element | Stainless steel, rust-proof |
| Protection degree  | IP55          |                             |                             |

## Rating data IECEx/ATEX

|                         |                 |                        |                  |
|-------------------------|-----------------|------------------------|------------------|
| Certificate No. (IECEX) | TUEV24ATEX9197X | Certificate No. (ATEX) | IECEXTUR24.0077X |
|-------------------------|-----------------|------------------------|------------------|

## Version

|                   |   |                |               |
|-------------------|---|----------------|---------------|
| Installation size | 8 | Surface finish | Miscellaneous |
| BG                | 8 |                |               |

## Classifications

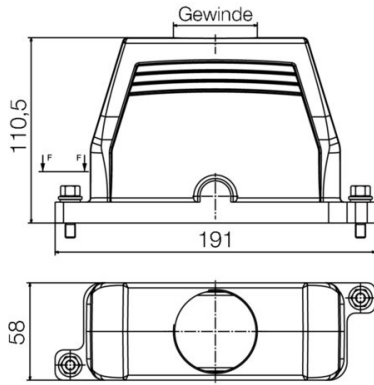
|             |             |             |             |
|-------------|-------------|-------------|-------------|
| ETIM 8.0    | EC000437    | ETIM 9.0    | EC000437    |
| ETIM 10.0   | EC000437    | ECLASS 14.0 | 27-44-02-02 |
| ECLASS 15.0 | 27-44-02-02 |             |             |

**HDC 24B TOS 1M32G ATEX**

**Weidmüller Interface GmbH & Co. KG**  
Klingenbergstraße 26  
D-32758 Detmold  
Germany

**Drawings**

[www.weidmueller.com](http://www.weidmueller.com)



## HDC 24B TOS 1M32G ATEX

**Weidmüller Interface GmbH & Co. KG**  
 Klingenbergstraße 26  
 D-32758 Detmold  
 Germany

www.weidmueller.com

## Accessories

## Size 8 (24B)



The option of separating cables in Zone 2 that comply with the following approvals ATEX: T II 3G Ex ec IIC T6 Gc or IECEX: Ex ec IIC T6 Gc simplifies installation, service and enables better preparation. The approved connectors offered here must always be used complete with the corresponding approved housings and inserts and may only be disconnected without load.

## General ordering data

|            |                            |  |
|------------|----------------------------|--|
| Type       | HDC 24B SS 1M40G ATEX      | Version  |
| Order No.  | <a href="#">3139880000</a> | HDC enclosures, Installation size: 8, Protection degree: IP55, Base housing, Clamping yoke connection, Standard, Size of cable entries: M 40 |
| GTIN (EAN) | 4099987382243              |  |
| Qty.       | 1 ST                       |  |
| Type       | HDC 24B SS 2M40G ATEX      | Version  |
| Order No.  | <a href="#">3139890000</a> | HDC enclosures, Installation size: 8, Protection degree: IP55, Base housing, Clamping yoke connection, Standard, Size of cable entries: M 40 |
| GTIN (EAN) | 4099987382250              |  |
| Qty.       | 1 ST                       |  |

## Size 8



The option of separating cables in Zone 2 that comply with the following approvals ATEX: T II 3G Ex ec IIC T6 Gc or IECEX: Ex ec IIC T6 Gc simplifies installation, service and enables better preparation. The approved connectors offered here must always be used complete with the corresponding approved housings and inserts and may only be disconnected without load.

## General ordering data

|            |                            |   |
|------------|----------------------------|---|
| Type       | HDC HDD 48 FC EX 1500      | Version   |
| Order No.  | <a href="#">3116690000</a> | HDC insert, Female, 1500 V, Number of poles: 48, Crimp connection, Installation size: 8 |
| GTIN (EAN) | 4099987235914              |   |
| Qty.       | 1 ST                       |   |
| Type       | HDC HDD 48 MC EX 1500      | Version   |
| Order No.  | <a href="#">3116670000</a> | HDC insert, Male, 1500 V, Number of poles: 48, Crimp connection, Installation size: 8   |
| GTIN (EAN) | 4099987235792              |   |
| Qty.       | 1 ST                       |   |
| Type       | HDC HDD 56 FC EX 1000      | Version   |
| Order No.  | <a href="#">3116680000</a> | HDC insert, Female, 1000 V, Number of poles: 56, Crimp connection, Installation size: 8 |
| GTIN (EAN) | 4099987235907              |   |
| Qty.       | 1 ST                       |   |
| Type       | HDC HDD 56 MC EX 1000      | Version   |
| Order No.  | <a href="#">3116660000</a> | HDC insert, Male, 1000 V, Number of poles: 56, Crimp connection, Installation size: 8   |
| GTIN (EAN) | 4099987235785              |   |
| Qty.       | 1 ST                       |   |

**HDC 24B TOS 1M32G ATEX**

**Weidmüller Interface GmbH & Co. KG**  
 Klingenbergstraße 26  
 D-32758 Detmold  
 Germany

www.weidmueller.com

**Accessories**

**Size 8 (24B)**



The option of separating cables in Zone 2 that comply with the following approvals ATEX: T II 3G Ex ec IIC T6 Gc or IECEX: Ex ec IIC T6 Gc simplifies installation, service and enables better preparation. The approved connectors offered here must always be used complete with the corresponding approved housings and inserts and may only be disconnected without load.

**General ordering data**

|            |                            |   |  |
|------------|----------------------------|---|--|
| Type       | HDC 24B TSS 1M32G ATEX     | Version   |  |
| Order No.  | <a href="#">3140030000</a> | HDC enclosures, Installation size: 8, Protection degree: IP55, Plug housing, Clamping yoke connection, Standard, Size of cable entries: |  |
| GTIN (EAN) | 4099987382397              |   |  |
| Qty.       | 1 ST                       | M 32  |  |
| Type       | HDC 24B TSS 1M40G ATEX     | Version   |  |
| Order No.  | <a href="#">3140040000</a> | HDC enclosures, Installation size: 8, Protection degree: IP55, Plug housing, Clamping yoke connection, Standard, Size of cable entries: |  |
| GTIN (EAN) | 4099987382403              |   |  |
| Qty.       | 1 ST                       | M 40  |  |