

HDC 16B TOS 1M32G ATEX**Weidmüller Interface GmbH & Co. KG**

Klingenbergstraße 26

D-32758 Detmold

Germany

www.weidmueller.com

The option of separating cables in Zone 2 that comply with the following approvals ATEX: T II 3G Ex ec IIC T6 Gc or IECEX: Ex ec IIC T6 Gc simplifies installation, service and enables better preparation. The approved connectors offered here must always be used complete with the corresponding approved housings and inserts and may only be disconnected without load.

General ordering data

Version	HDC enclosures, Installation size: 6, Protection degree: IP55, Plug housing, Clamping yoke connection, Standard, Size of cable entries: M 32
Order No.	3139980000
Type	HDC 16B TOS 1M32G ATEX
GTIN (EAN)	4099987382342
Qty.	1 items

HDC 16B TOS 1M32G ATEX

Weidmüller Interface GmbH & Co. KG
Klingenbergstraße 26
D-32758 Detmold
Germany

www.weidmueller.com

Technical data

Approvals

Approvals



Dimensions and weights

Depth	164 mm	Depth (inches)	6.4567 inch
Height	111 mm	Height (inches)	4.3701 inch
Width	58 mm	Width (inches)	2.2835 inch
Net weight	589 g		

Temperatures

Ambient temperature	-20 °C...40 °C	Limit temperature	-20 °C ... 80 °C
---------------------	----------------	-------------------	------------------

Environmental Product Compliance

RoHS Compliance Status	Compliant without exemption
REACH SVHC	No SVHC above 0.1 wt%

Dimensions

Width	58 mm
-------	-------

General data

Tightening torque	6.5 Nm	Design of housing	Plug housing
Installation size	6	UL 94 flammability rating	V-0
Colour	grey	Housing main material	diecast aluminium
Surface finish	Miscellaneous	Type	Plug
Free from halogens	false	EMC housings	Yes
BG	6	Material of locking element	Stainless steel, rust-proof
Protection degree	IP55		

Rating data IECEx/ATEX

Certificate No. (IECEX)	TUEV24ATEX9197X	Certificate No. (ATEX)	IECEXTUR24.0077X
-------------------------	-----------------	------------------------	------------------

Version

Installation size	6	Surface finish	Miscellaneous
BG	6		

Classifications

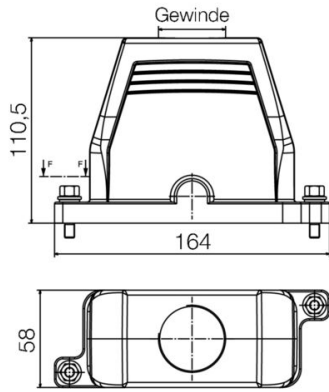
ETIM 8.0	EC000437	ETIM 9.0	EC000437
ETIM 10.0	EC000437	ECLASS 14.0	27-44-02-02
ECLASS 15.0	27-44-02-02		

HDC 16B TOS 1M32G ATEX

Weidmüller Interface GmbH & Co. KG
Klingenbergstraße 26
D-32758 Detmold
Germany

Drawings

www.weidmueller.com



HDC 16B TOS 1M32G ATEX

Weidmüller Interface GmbH & Co. KG
 Klingenbergstraße 26
 D-32758 Detmold
 Germany

www.weidmueller.com

Accessories

Size 6 (16B)



The option of separating cables in Zone 2 that comply with the following approvals ATEX: T II 3G Ex ec IIC T6 Gc or IECEX: Ex ec IIC T6 Gc simplifies installation, service and enables better preparation. The approved connectors offered here must always be used complete with the corresponding approved housings and inserts and may only be disconnected without load.

General ordering data

Type	HDC 16B SS 1M32G ATEX	Version
Order No.	3139870000	HDC enclosures, Installation size: 6, Protection degree: IP55, Base housing, Clamping yoke connection, Standard, Size of cable entries: M 32
GTIN (EAN)	4099987382236	
Qty.	1 ST	
Type	HDC 16B AS ATEX	Version
Order No.	3139920000	HDC enclosures, Installation size: 6, Protection degree: IP55, Bulkhead housing, Clamping yoke connection, Standard, Size of cable entries: none
GTIN (EAN)	4099987382281	
Qty.	1 ST	

Size 6



**IECEx
ATEX**

The option of separating cables in Zone 2 that comply with the following approvals ATEX: T II 3G Ex ec IIC T6 Gc or IECEX: Ex ec IIC T6 Gc simplifies installation, service and enables better preparation. The approved connectors offered here must always be used complete with the corresponding approved housings and inserts and may only be disconnected without load.

General ordering data

Type	HDC HDD 24 FC EX 1500	Version
Order No.	3116650000	HDC insert, Female, 1500 V, Number of poles: 24, Crimp connection, Installation size: 6
GTIN (EAN)	4099987235778	
Qty.	1 ST	
Type	HDC HDD 24 MC EX 1500	Version
Order No.	3116630000	HDC insert, Male, 1500 V, Number of poles: 24, Crimp connection, Installation size: 6
GTIN (EAN)	4099987235754	
Qty.	1 ST	
Type	HDC HDD 32 FC EX 1000	Version
Order No.	3116640000	HDC insert, Female, 1000 V, Number of poles: 32, Crimp connection, Installation size: 6
GTIN (EAN)	4099987235761	
Qty.	1 ST	
Type	HDC HDD 32 MC EX 1000	Version
Order No.	3116620000	HDC insert, Male, 1000 V, Number of poles: 32, Crimp connection, Installation size: 6
GTIN (EAN)	4099987235747	
Qty.	1 ST	