

**HDC 06B TSS 1M25G ATEX****Weidmüller Interface GmbH & Co. KG**

Klingenbergstraße 26

D-32758 Detmold

Germany

[www.weidmueller.com](http://www.weidmueller.com)

The option of separating cables in Zone 2 that comply with the following approvals ATEX: T II 3G Ex ec IIC T6 Gc or IECEX: Ex ec IIC T6 Gc simplifies installation, service and enables better preparation. The approved connectors offered here must always be used complete with the corresponding approved housings and inserts and may only be disconnected without load.

**General ordering data**

Version	HDC enclosures, Installation size: 3, Protection degree: IP55, Plug housing, Clamping yoke connection, Standard, Size of cable entries: M 25
Order No.	<a href="#">3139950000</a>
Type	HDC 06B TSS 1M25G ATEX
GTIN (EAN)	4099987382311
Qty.	1 items

## HDC 06B TSS 1M25G ATEX

**Weidmüller Interface GmbH & Co. KG**  
 Klingenbergstraße 26  
 D-32758 Detmold  
 Germany

www.weidmueller.com

## Technical data

## Approvals

Approvals



## Dimensions and weights

Depth	132 mm	Depth (inches)	5.1968 inch
Height	100.5 mm	Height (inches)	3.9567 inch
Width	58 mm	Width (inches)	2.2835 inch
Net weight	451 g		

## Temperatures

Ambient temperature	-20 °C...40 °C	Limit temperature	-20 °C ... 80 °C
---------------------	----------------	-------------------	------------------

## Environmental Product Compliance

RoHS Compliance Status	Compliant without exemption
REACH SVHC	No SVHC above 0.1 wt%

## Dimensions

Width	58 mm
-------	-------

## General data

Tightening torque	6.5 Nm	Design of housing	Plug housing
Installation size	3	UL 94 flammability rating	V-0
Colour	grey	Housing main material	diecast aluminium
Surface finish	Miscellaneous	Type	Plug
Free from halogens	false	EMC housings	Yes
BG	3	Material of locking element	Stainless steel, rust-proof
Protection degree	IP55		

## Rating data IECEx/ATEX

Certificate No. (IECEX)	TUEV24ATEX9197X	Certificate No. (ATEX)	IECEXUR24.0077X
-------------------------	-----------------	------------------------	-----------------

## Version

Installation size	3	Surface finish	Miscellaneous
BG	3		

## Classifications

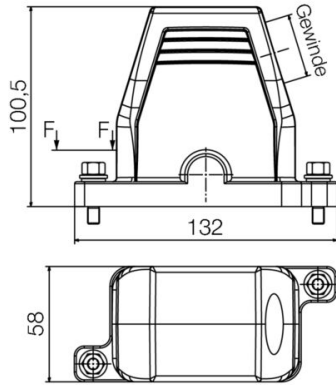
ETIM 8.0	EC000437	ETIM 9.0	EC000437
ETIM 10.0	EC000437	ECLASS 14.0	27-44-02-02
ECLASS 15.0	27-44-02-02		

**HDC 06B TSS 1M25G ATEX**

**Weidmüller Interface GmbH & Co. KG**  
Klingenbergstraße 26  
D-32758 Detmold  
Germany

**Drawings**

[www.weidmueller.com](http://www.weidmueller.com)



**HDC 06B TSS 1M25G ATEX**

**Weidmüller Interface GmbH & Co. KG**  
 Klingenbergstraße 26  
 D-32758 Detmold  
 Germany

**Accessories**

www.weidmueller.com

**Size 3 (06B)**



The option of separating cables in Zone 2 that comply with the following approvals ATEX: T II 3G Ex ec IIC T6 Gc or IECEX: Ex ec IIC T6 Gc simplifies installation, service and enables better preparation. The approved connectors offered here must always be used complete with the corresponding approved housings and inserts and may only be disconnected without load.

**General ordering data**

Type	HDC 06B SS 1M25G ATEX	Version
Order No.	<a href="#">3139850000</a>	HDC enclosures, Installation size: 3, Protection degree: IP55, Base
GTIN (EAN)	4099987382212	housing, Clamping yoke connection, Standard, Size of cable entries:
Qty.	1 ST	1*M25
Type	HDC 06B AS ATEX	Version
Order No.	<a href="#">3139900000</a>	HDC enclosures, Installation size: 3, Protection degree: Back: IP20,
GTIN (EAN)	4099987382267	Bulkhead housing, Clamping yoke connection, Standard, Size of cable
Qty.	1 ST	entries: none