

HDC 06B TOS 1M25G ATEX**Weidmüller Interface GmbH & Co. KG**

Klingenbergstraße 26

D-32758 Detmold

Germany

www.weidmueller.com



The option of separating cables in Zone 2 that comply with the following approvals ATEX: T II 3G Ex ec IIC T6 Gc or IECEX: Ex ec IIC T6 Gc simplifies installation, service and enables better preparation. The approved connectors offered here must always be used complete with the corresponding approved housings and inserts and may only be disconnected without load.

General ordering data

Version	HDC enclosures, Installation size: 3, Protection degree: IP55, Plug housing, Clamping yoke connection, Standard, Size of cable entries: M 25
Order No.	3139940000
Type	HDC 06B TOS 1M25G ATEX
GTIN (EAN)	4099987382304
Qty.	1 items

HDC 06B TOS 1M25G ATEX

Weidmüller Interface GmbH & Co. KG
 Klingenbergstraße 26
 D-32758 Detmold
 Germany

www.weidmueller.com

Technical data

Approvals

Approvals



Dimensions and weights

Depth	132 mm	Depth (inches)	5.1968 inch
Height	100.05 mm	Height (inches)	3.939 inch
Width	58 mm	Width (inches)	2.2835 inch
Net weight	449 g		

Temperatures

Ambient temperature	-20 °C...40 °C	Limit temperature	-20 °C ... 80 °C
---------------------	----------------	-------------------	------------------

Environmental Product Compliance

RoHS Compliance Status	Compliant without exemption
REACH SVHC	No SVHC above 0.1 wt%

Dimensions

Width	58 mm
-------	-------

General data

Design of housing	Plug housing	Installation size	3
UL 94 flammability rating	V-0	Colour	grey
Housing main material	diecast aluminium	Surface finish	Miscellaneous
Type	Plug	Free from halogens	false
EMC housings	Yes	BG	3
Material of locking element	Stainless steel, rust-proof	Protection degree	IP55

Rating data IECEx/ATEX

Certificate No. (IECEX)	TUEV24ATEX9197X	Certificate No. (ATEX)	IECEXTUR24.0077X
-------------------------	-----------------	------------------------	------------------

Version

Installation size	3	Surface finish	Miscellaneous
BG	3		

Classifications

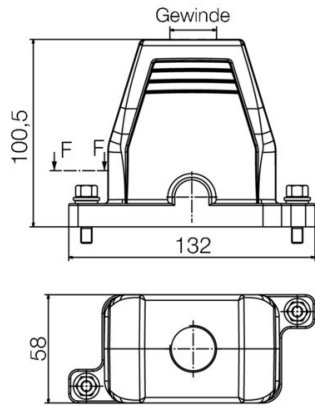
ETIM 8.0	EC000437	ETIM 9.0	EC000437
ETIM 10.0	EC000437	ECLASS 14.0	27-44-02-02
ECLASS 15.0	27-44-02-02		

HDC 06B TOS 1M25G ATEX

Weidmüller Interface GmbH & Co. KG
Klingenbergstraße 26
D-32758 Detmold
Germany

Drawings

www.weidmueller.com



HDC 06B TOS 1M25G ATEX

Weidmüller Interface GmbH & Co. KG
 Klingenbergstraße 26
 D-32758 Detmold
 Germany

www.weidmueller.com

Accessories

Size 3 (06B)



The option of separating cables in Zone 2 that comply with the following approvals ATEX: T II 3G Ex ec IIC T6 Gc or IECEX: Ex ec IIC T6 Gc simplifies installation, service and enables better preparation. The approved connectors offered here must always be used complete with the corresponding approved housings and inserts and may only be disconnected without load.

General ordering data

Type	HDC 06B SS 1M25G ATEX	Version
Order No.	3139850000	HDC enclosures, Installation size: 3, Protection degree: IP55, Base
GTIN (EAN)	4099987382212	housing, Clamping yoke connection, Standard, Size of cable entries:
Qty.	1 ST	1*M25
Type	HDC 06B AS ATEX	Version
Order No.	3139900000	HDC enclosures, Installation size: 3, Protection degree: Back: IP20,
GTIN (EAN)	4099987382267	Bulkhead housing, Clamping yoke connection, Standard, Size of cable
Qty.	1 ST	entries: none