

**HDC 10B AS ATEX**

**Weidmüller Interface GmbH & Co. KG**  
Klingenbergstraße 26  
D-32758 Detmold  
Germany

www.weidmueller.com



The option of separating cables in Zone 2 that comply with the following approvals ATEX: T II 3G Ex ec IIC T6 Gc or IECEX: Ex ec IIC T6 Gc simplifies installation, service and enables better preparation. The approved connectors offered here must always be used complete with the corresponding approved housings and inserts and may only be disconnected without load.

**General ordering data**

Version	HDC enclosures, Installation size: 4, Protection degree: IP55, Bulkhead housing, Clamping yoke connection, Standard, Size of cable entries: none
Order No.	<a href="#">3139910000</a>
Type	HDC 10B AS ATEX
GTIN (EAN)	4099987382274
Qty.	1 items

## HDC 10B AS ATEX

**Weidmüller Interface GmbH & Co. KG**  
 Klingenbergstraße 26  
 D-32758 Detmold  
 Germany

www.weidmueller.com

## Technical data

## Approvals

Approvals



ROHS Conform

## Dimensions and weights

Depth	144 mm	Depth (inches)	5.6693 inch
Height	29.5 mm	Height (inches)	1.1614 inch
Width	48 mm	Width (inches)	1.8898 inch
Mounting dimension - height	32 mm	Mounting dimension - width	83 mm
Net weight	170 g		

## Temperatures

Ambient temperature -20 °C...40 °C Limit temperature -20 °C ... 80 °C

## Environmental Product Compliance

RoHS Compliance Status Compliant without exemption  
 REACH SVHC No SVHC above 0.1 wt%

## Dimensions

Width 48 mm

## General data

Design of housing	Bulkhead housing	Installation size	4
UL 94 flammability rating	V-0	Colour	grey
Housing main material	diecast aluminium	Surface finish	Miscellaneous
Type	Bulkhead (feed-through)	Free from halogens	false
EMC housings	Yes	BG	4
Protection degree	IP55		

## Rating data IECEX/ATEX

Certificate No. (IECEX) TUEV24ATEX9197X Certificate No. (ATEX) IECEXTUR24.0077X

## Version

Installation size 4 Surface finish Miscellaneous  
 BG 4

## Classifications

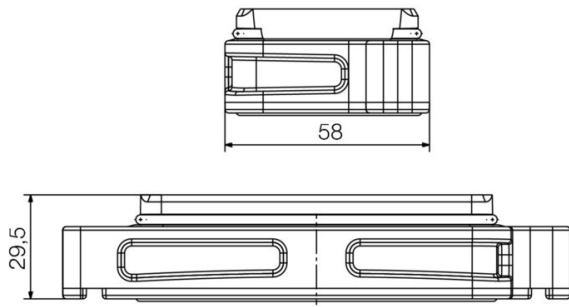
ETIM 8.0	EC000437	ETIM 9.0	EC000437
ETIM 10.0	EC000437	ECLASS 14.0	27-44-02-02
ECLASS 15.0	27-44-02-02		

**HDC 10B AS ATEX**

**Weidmüller Interface GmbH & Co. KG**  
Klingenbergstraße 26  
D-32758 Detmold  
Germany

**Drawings**

[www.weidmueller.com](http://www.weidmueller.com)



## HDC 10B AS ATEX

**Weidmüller Interface GmbH & Co. KG**  
 Klingenbergstraße 26  
 D-32758 Detmold  
 Germany

## Accessories

www.weidmueller.com

## Size 4 (10B)



The option of separating cables in Zone 2 that comply with the following approvals ATEX: T II 3G Ex ec IIC T6 Gc or IECEX: Ex ec IIC T6 Gc simplifies installation, service and enables better preparation. The approved connectors offered here must always be used complete with the corresponding approved housings and inserts and may only be disconnected without load.

## General ordering data

Type	HDC 10B TOS 1M32G ATEX	Version
Order No.	<a href="#">3139960000</a>	HDC enclosures, Installation size: 4, Protection degree: IP55, Plug
GTIN (EAN)	4099987382328	housing, Clamping yoke connection, Standard, Size of cable entries:
Qty.	1 ST	M 32
Type	HDC 10B TSS 1M32G ATEX	Version
Order No.	<a href="#">3139970000</a>	HDC enclosures, Installation size: 4, Protection degree: IP55, Plug
GTIN (EAN)	4099987382335	housing, Clamping yoke connection, Standard, Size of cable entries:
Qty.	1 ST	M 32
Type	HDC 10B COVER ATEX	Version
Order No.	<a href="#">3140060000</a>	HDC enclosures, Installation size: 4, Protection degree: IP55, Cover for
GTIN (EAN)	4099987382427	lower part of housing, Clamping yoke connection, Standard, Size of
Qty.	1 ST	cable entries: none