

**HDC 06B AS ATEX****Weidmüller Interface GmbH & Co. KG**

Klingenbergstraße 26

D-32758 Detmold

Germany

www.weidmueller.com



The option of separating cables in Zone 2 that comply with the following approvals ATEX: T II 3G Ex ec IIC T6 Gc or IECEX: Ex ec IIC T6 Gc simplifies installation, service and enables better preparation. The approved connectors offered here must always be used complete with the corresponding approved housings and inserts and may only be disconnected without load.

**General ordering data**

|            |  |
|------------|--|
| Version    | HDC enclosures, Installation size: 3, Protection degree: Back: IP20, Bulkhead housing, Clamping yoke connection, Standard, Size of cable entries: none |
| Order No.  | <a href="#">3139900000</a>   |
| Type       | HDC 06B AS ATEX  |
| GTIN (EAN) | 4099987382267  |
| Qty.       | 1 items  |

**HDC 06B AS ATEX**

**Weidmüller Interface GmbH & Co. KG**  
 Klingenbergstraße 26  
 D-32758 Detmold  
 Germany

www.weidmueller.com

**Technical data**

**Approvals**

Approvals



**Dimensions and weights**

|                             |          |                            |             |
|-----------------------------|----------|----------------------------|-------------|
| Depth                       | 132 mm   | Depth (inches)             | 5.1968 inch |
| Height                      | 29.5 mm  | Height (inches)            | 1.1614 inch |
| Width                       | 48 mm    | Width (inches)             | 1.8898 inch |
| Mounting dimension - height | 32 mm    | Mounting dimension - width | 70 mm       |
| Net weight                  | 141.68 g |                            |             |

**Temperatures**

Limit temperature -20 °C ... 80 °C

**Environmental Product Compliance**

RoHS Compliance Status Compliant without exemption  
 REACH SVHC No SVHC above 0.1 wt%

**Dimensions**

Width 48 mm

**General data**

|                           |                         |                    |               |
|---------------------------|-------------------------|--------------------|---------------|
| Design of housing         | Bulkhead housing        | Installation size  | 3             |
| UL 94 flammability rating | None                    | Colour             | grey          |
| Housing main material     | diecast aluminium       | Surface finish     | Miscellaneous |
| Type                      | Bulkhead (feed-through) | Free from halogens | false         |
| EMC housings              | Yes                     | BG                 | 3             |
| Protection degree         | Back: IP20              |                    |               |

**Rating data IECEX/ATEX**

Certificate No. (IECEX) TUEV24ATEX9197X Certificate No. (ATEX) IECEXTUR24.0077X

**Version**

Installation size 3 Surface finish Miscellaneous  
 BG 3

**Classifications**

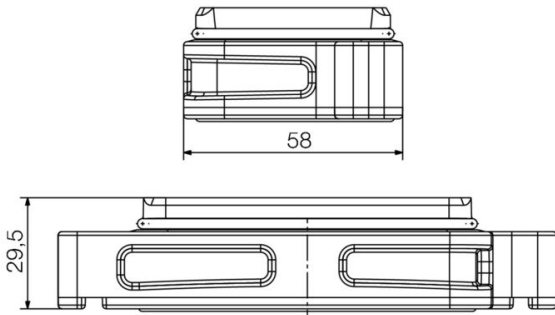
|             |             |             |             |
|-------------|-------------|-------------|-------------|
| ETIM 8.0    | EC000437    | ETIM 9.0    | EC000437    |
| ETIM 10.0   | EC000437    | ECLASS 14.0 | 27-44-02-02 |
| ECLASS 15.0 | 27-44-02-02 |             |             |

**HDC 06B AS ATEX**

**Weidmüller Interface GmbH & Co. KG**  
Klingenbergstraße 26  
D-32758 Detmold  
Germany

**Drawings**

[www.weidmueller.com](http://www.weidmueller.com)



## HDC 06B AS ATEX

**Weidmüller Interface GmbH & Co. KG**  
 Klingenbergstraße 26  
 D-32758 Detmold  
 Germany

## Accessories

www.weidmueller.com

### Size 3 (06B)



The option of separating cables in Zone 2 that comply with the following approvals ATEX: T II 3G Ex ec IIC T6 Gc or IECEX: Ex ec IIC T6 Gc simplifies installation, service and enables better preparation. The approved connectors offered here must always be used complete with the corresponding approved housings and inserts and may only be disconnected without load.

### General ordering data

|            |                            |  |
|------------|----------------------------|--|
| Type       | HDC 06B COVER ATEX         | Version  |
| Order No.  | <a href="#">3140050000</a> | HDC enclosures, Installation size: 3, Protection degree: IP55, Cover for |
| GTIN (EAN) | 4099987382410              | lower part of housing, Clamping yoke connection, Standard, Size of       |
| Qty.       | 1 ST                       | cable entries: none  |
| Type       | HDC 06B TOS 1M25G ATEX     | Version  |
| Order No.  | <a href="#">3139940000</a> | HDC enclosures, Installation size: 3, Protection degree: IP55, Plug      |
| GTIN (EAN) | 4099987382304              | housing, Clamping yoke connection, Standard, Size of cable entries:      |
| Qty.       | 1 ST                       | M 25   |
| Type       | HDC 06B TSS 1M25G ATEX     | Version  |
| Order No.  | <a href="#">3139950000</a> | HDC enclosures, Installation size: 3, Protection degree: IP55, Plug      |
| GTIN (EAN) | 4099987382311              | housing, Clamping yoke connection, Standard, Size of cable entries:      |
| Qty.       | 1 ST                       | M 25   |