

**HDC 24B SS 1M40G ATEX****Weidmüller Interface GmbH & Co. KG**

Klingenbergstraße 26

D-32758 Detmold

Germany

www.weidmueller.com



The option of separating cables in Zone 2 that comply with the following approvals ATEX: T II 3G Ex ec IIC T6 Gc or IECEx: Ex ec IIC T6 Gc simplifies installation, service and enables better preparation. The approved connectors offered here must always be used complete with the corresponding approved housings and inserts and may only be disconnected without load.

**General ordering data**

Version	HDC enclosures, Installation size: 8, Protection degree: IP55, Base housing, Clamping yoke connection, Standard, Size of cable entries: M 40
Order No.	<a href="#">3139880000</a>
Type	HDC 24B SS 1M40G ATEX
GTIN (EAN)	4099987382243
Qty.	1 items

## HDC 24B SS 1M40G ATEX

Weidmüller Interface GmbH & Co. KG  
Klingenbergstraße 26  
D-32758 Detmold  
Germany

www.weidmueller.com

## Technical data

## Approvals

Approvals



## Dimensions and weights

Depth	216 mm	Depth (inches)	8.5039 inch
Height	111.5 mm	Height (inches)	4.3898 inch
Width	80 mm	Width (inches)	3.1496 inch
Mounting dimension - height	60 mm	Mounting dimension - width	187 mm
Net weight	1196 g		

## Temperatures

Ambient temperature	-20 °C...40 °C	Limit temperature	-20 °C ... 80 °C
---------------------	----------------	-------------------	------------------

## Environmental Product Compliance

RoHS Compliance Status	Compliant without exemption
REACH SVHC	No SVHC above 0.1 wt%

## Dimensions

Width	80 mm
-------	-------

## General data

Design of housing	Base housing	Installation size	8
UL 94 flammability rating	V-0	Colour	grey
Housing main material	diecast aluminium	Surface finish	Miscellaneous
Type	Base housing	Free from halogens	false
EMC housings	Yes	BG	8
Protection degree	IP55		

## Rating data IECEx/ATEX

Certificate No. (IECEX)	TUEV24ATEX9197X	Certificate No. (ATEX)	IECEXTUR24.0077X
-------------------------	-----------------	------------------------	------------------

## Version

Installation size	8	Surface finish	Miscellaneous
BG	8		

## Classifications

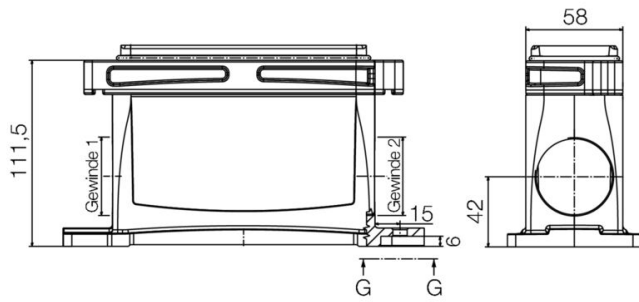
ETIM 8.0	EC000437	ETIM 9.0	EC000437
ETIM 10.0	EC000437	ECLASS 14.0	27-44-02-02
ECLASS 15.0	27-44-02-02		

**HDC 24B SS 1M40G ATEX**

**Weidmüller Interface GmbH & Co. KG**  
Klingenbergstraße 26  
D-32758 Detmold  
Germany

**Drawings**

[www.weidmueller.com](http://www.weidmueller.com)



## HDC 24B SS 1M40G ATEX

**Weidmüller Interface GmbH & Co. KG**  
 Klingenbergstraße 26  
 D-32758 Detmold  
 Germany

www.weidmueller.com

## Accessories

### Size 8 (24B)



The option of separating cables in Zone 2 that comply with the following approvals ATEX: T II 3G Ex ec IIC T6 Gc or IECEX: Ex ec IIC T6 Gc simplifies installation, service and enables better preparation. The approved connectors offered here must always be used complete with the corresponding approved housings and inserts and may only be disconnected without load.

### General ordering data

Type	HDC 24B TOS 1M32G ATEX	Version
Order No.	<a href="#">3140010000</a>	HDC enclosures, Installation size: 8, Protection degree: IP55, Plug housing, Clamping yoke connection, Standard, Size of cable entries:
GTIN (EAN)	4099987382373	
Qty.	1 ST	M 32
Type	HDC 24B TOS 2M32G ATEX	Version
Order No.	<a href="#">3140020000</a>	HDC enclosures, Installation size: 8, Protection degree: IP55, Plug housing, Clamping yoke connection, Standard, Size of cable entries:
GTIN (EAN)	4099987382380	
Qty.	1 ST	2*M32
Type	HDC 24B TSS 1M32G ATEX	Version
Order No.	<a href="#">3140030000</a>	HDC enclosures, Installation size: 8, Protection degree: IP55, Plug housing, Clamping yoke connection, Standard, Size of cable entries:
GTIN (EAN)	4099987382397	
Qty.	1 ST	M 32
Type	HDC 24B TSS 1M40G ATEX	Version
Order No.	<a href="#">3140040000</a>	HDC enclosures, Installation size: 8, Protection degree: IP55, Plug housing, Clamping yoke connection, Standard, Size of cable entries:
GTIN (EAN)	4099987382403	
Qty.	1 ST	M 40

### Size 8



**IECEX  
ATEX**

The option of separating cables in Zone 2 that comply with the following approvals ATEX: T II 3G Ex ec IIC T6 Gc or IECEX: Ex ec IIC T6 Gc simplifies installation, service and enables better preparation. The approved connectors offered here must always be used complete with the corresponding approved housings and inserts and may only be disconnected without load.

### General ordering data

Type	HDC HDD 48 FC EX 1500	Version
Order No.	<a href="#">3116690000</a>	HDC insert, Female, 1500 V, Number of poles: 48, Crimp connection, Installation size: 8
GTIN (EAN)	4099987235914	
Qty.	1 ST	
Type	HDC HDD 48 MC EX 1500	Version
Order No.	<a href="#">3116670000</a>	HDC insert, Male, 1500 V, Number of poles: 48, Crimp connection, Installation size: 8
GTIN (EAN)	4099987235792	
Qty.	1 ST	

## HDC 24B SS 1M40G ATEX

**Weidmüller Interface GmbH & Co. KG**  
 Klingenbergstraße 26  
 D-32758 Detmold  
 Germany

www.weidmueller.com

## Accessories

Type	HDC HDD 56 FC EX 1000	Version
Order No.	<a href="#">3116680000</a>	HDC insert, Female, 1000 V, Number of poles: 56, Crimp connection,
GTIN (EAN)	4099987235907	Installation size: 8
Qty.	1 ST	
Type	HDC HDD 56 MC EX 1000	Version
Order No.	<a href="#">3116660000</a>	HDC insert, Male, 1000 V, Number of poles: 56, Crimp connection,
GTIN (EAN)	4099987235785	Installation size: 8
Qty.	1 ST	

### Size 8 (24B)



The option of separating cables in Zone 2 that comply with the following approvals ATEX: T II 3G Ex ec IIC T6 Gc or IECEx: Ex ec IIC T6 Gc simplifies installation, service and enables better preparation. The approved connectors offered here must always be used complete with the corresponding approved housings and inserts and may only be disconnected without load.

### General ordering data

Type	HDC 24B COVER ATEX	Version
Order No.	<a href="#">3140080000</a>	HDC enclosures, Installation size: 8, Protection degree: IP55, Cover for
GTIN (EAN)	4099987382441	lower part of housing, Clamping yoke connection, Standard, Size of
Qty.	1 ST	cable entries: none

### External thread M40



ADAP series adaptors provide flexibility and versatility infilling unused entries in Ex equipment while maintaining Flameproof Ex d and Increased Safety Ex e explosion protection and IP66/67/68 ingress rate.

### General ordering data

Type	ADAPS M40-M32-W	Version
Order No.	<a href="#">1261980000</a>	ADAP (Klippon Ex adaptor), Adapter, straight, M 40 ,M 32, Stainless
GTIN (EAN)	4050118093025	steel 1.4404
Qty.	9 ST	