

HDC 10B SS 1M32G ATEX

Weidmüller Interface GmbH & Co. KG
Klingenbergstraße 26
D-32758 Detmold
Germany

www.weidmueller.com



The option of separating cables in Zone 2 that comply with the following approvals ATEX: T II 3G Ex ec IIC T6 Gc or IECEX: Ex ec IIC T6 Gc simplifies installation, service and enables better preparation. The approved connectors offered here must always be used complete with the corresponding approved housings and inserts and may only be disconnected without load.

General ordering data

Version	HDC enclosures, Installation size: 4, Protection degree: IP55, Base housing, Clamping yoke connection, Standard, Size of cable entries: M 32
Order No.	3139860000
Type	HDC 10B SS 1M32G ATEX
GTIN (EAN)	4099987382229
Qty.	1 items

HDC 10B SS 1M32G ATEX

Weidmüller Interface GmbH & Co. KG
 Klingenbergstraße 26
 D-32758 Detmold
 Germany

www.weidmueller.com

Technical data

Approvals

Approvals



ROHS Conform

Dimensions and weights

Depth	169 mm	Depth (inches)	6.6535 inch
Height	100.5 mm	Height (inches)	3.9567 inch
Width	80 mm	Width (inches)	3.1496 inch
Mounting dimension - height	60 mm	Mounting dimension - width	104 mm
Net weight	913 g		

Temperatures

Ambient temperature -20 °C...40 °C Limit temperature -20 °C ... 80 °C

Environmental Product Compliance

RoHS Compliance Status Compliant without exemption
 REACH SVHC No SVHC above 0.1 wt%

Dimensions

Width 80 mm

General data

Design of housing	Base housing	Installation size	4
UL 94 flammability rating	V-0	Colour	grey
Housing main material	diecast aluminium	Surface finish	Miscellaneous
Type	Base housing	Free from halogens	false
EMC housings	Yes	BG	4
Protection degree	IP55		

Rating data IECEx/ATEX

Certificate No. (IECEX) TUEV24ATEX9197X Certificate No. (ATEX) IECEXTUR24.0077X

Version

Installation size 4 Surface finish Miscellaneous
 BG 4

Classifications

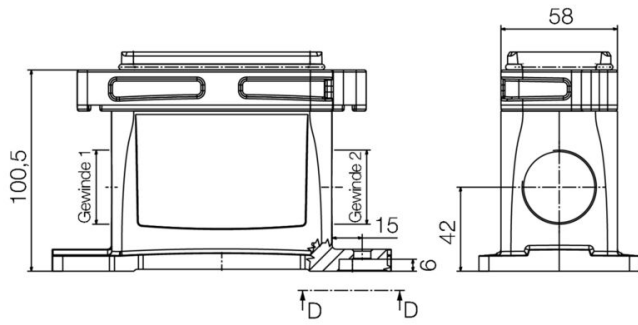
ETIM 8.0	EC000437	ETIM 9.0	EC000437
ETIM 10.0	EC000437	ECLASS 14.0	27-44-02-02
ECLASS 15.0	27-44-02-02		

HDC 10B SS 1M32G ATEX

Weidmüller Interface GmbH & Co. KG
Klingenbergstraße 26
D-32758 Detmold
Germany

Drawings

www.weidmueller.com



HDC 10B SS 1M32G ATEX

Weidmüller Interface GmbH & Co. KG
 Klingenbergstraße 26
 D-32758 Detmold
 Germany

Accessories

www.weidmueller.com

Size 4 (10B)



The option of separating cables in Zone 2 that comply with the following approvals ATEX: T II 3G Ex ec IIC T6 Gc or IECEx: Ex ec IIC T6 Gc simplifies installation, service and enables better preparation. The approved connectors offered here must always be used complete with the corresponding approved housings and inserts and may only be disconnected without load.

General ordering data

Type	HDC 10B TOS 1M32G ATEX	Version
Order No.	3139960000	HDC enclosures, Installation size: 4, Protection degree: IP55, Plug
GTIN (EAN)	4099987382328	housing, Clamping yoke connection, Standard, Size of cable entries:
Qty.	1 ST	M 32
Type	HDC 10B TSS 1M32G ATEX	Version
Order No.	3139970000	HDC enclosures, Installation size: 4, Protection degree: IP55, Plug
GTIN (EAN)	4099987382335	housing, Clamping yoke connection, Standard, Size of cable entries:
Qty.	1 ST	M 32
Type	HDC 10B COVER ATEX	Version
Order No.	3140060000	HDC enclosures, Installation size: 4, Protection degree: IP55, Cover for
GTIN (EAN)	4099987382427	lower part of housing, Clamping yoke connection, Standard, Size of
Qty.	1 ST	cable entries: none