

**HDC 06B SS 1M25G ATEX****Weidmüller Interface GmbH & Co. KG**

Klingenbergstraße 26

D-32758 Detmold

Germany

[www.weidmueller.com](http://www.weidmueller.com)

The option of separating cables in Zone 2 that comply with the following approvals ATEX: T II 3G Ex ec IIC T6 Gc or IECEX: Ex ec IIC T6 Gc simplifies installation, service and enables better preparation. The approved connectors offered here must always be used complete with the corresponding approved housings and inserts and may only be disconnected without load.

**General ordering data**

Version	HDC enclosures, Installation size: 3, Protection degree: IP55, Base housing, Clamping yoke connection, Standard, Size of cable entries: 1*M25
Order No.	<a href="#">3139850000</a>
Type	HDC 06B SS 1M25G ATEX
GTIN (EAN)	4099987382212
Qty.	1 items

**HDC 06B SS 1M25G ATEX**

**Weidmüller Interface GmbH & Co. KG**  
 Klingenbergstraße 26  
 D-32758 Detmold  
 Germany

www.weidmueller.com

**Technical data**

**Approvals**

Approvals



**Dimensions and weights**

Depth	156 mm	Depth (inches)	6.1417 inch
Height	101 mm	Height (inches)	3.9764 inch
Width	80 mm	Width (inches)	3.1496 inch
Mounting dimension - height	60 mm	Mounting dimension - width	127 mm
Net weight	770.88 g		

**Temperatures**

Ambient temperature	-20 °C...40 °C	Limit temperature	-20 °C ... 80 °C
---------------------	----------------	-------------------	------------------

**Environmental Product Compliance**

RoHS Compliance Status	Compliant without exemption
REACH SVHC	No SVHC above 0.1 wt%

**Dimensions**

Width	80 mm
-------	-------

**General data**

Design of housing	Base housing	Installation size	3
UL 94 flammability rating	V-0	Colour	grey
Housing main material	diecast aluminium	Surface finish	Miscellaneous
Type	Base housing	Free from halogens	false
EMC housings	Yes	BG	3
Protection degree	IP55		

**Rating data IECEx/ATEX**

Certificate No. (IECEX)	TUEV24ATEX9197X	Certificate No. (ATEX)	IECEXTUR24.0077X
-------------------------	-----------------	------------------------	------------------

**Version**

Installation size	3	Surface finish	Miscellaneous
BG	3		

**Classifications**

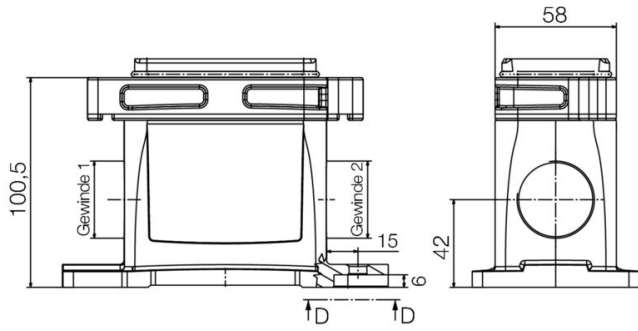
ETIM 8.0	EC000437	ETIM 9.0	EC000437
ETIM 10.0	EC000437	ECLASS 14.0	27-44-02-02
ECLASS 15.0	27-44-02-02		

**HDC 06B SS 1M25G ATEX**

**Weidmüller Interface GmbH & Co. KG**  
Klingenbergstraße 26  
D-32758 Detmold  
Germany

**Drawings**

[www.weidmueller.com](http://www.weidmueller.com)



**HDC 06B SS 1M25G ATEX**

**Weidmüller Interface GmbH & Co. KG**  
 Klingenbergstraße 26  
 D-32758 Detmold  
 Germany

**Accessories**

www.weidmueller.com

**Size 3 (06B)**



The option of separating cables in Zone 2 that comply with the following approvals ATEX: T II 3G Ex ec IIC T6 Gc or IECEX: Ex ec IIC T6 Gc simplifies installation, service and enables better preparation. The approved connectors offered here must always be used complete with the corresponding approved housings and inserts and may only be disconnected without load.

**General ordering data**

Type	HDC 06B TOS 1M25G ATEX	Version
Order No.	<a href="#">3139940000</a>	HDC enclosures, Installation size: 3, Protection degree: IP55, Plug
GTIN (EAN)	4099987382304	housing, Clamping yoke connection, Standard, Size of cable entries:
Qty.	1 ST	M 25
Type	HDC 06B TSS 1M25G ATEX	Version
Order No.	<a href="#">3139950000</a>	HDC enclosures, Installation size: 3, Protection degree: IP55, Plug
GTIN (EAN)	4099987382311	housing, Clamping yoke connection, Standard, Size of cable entries:
Qty.	1 ST	M 25
Type	HDC 06B COVER ATEX	Version
Order No.	<a href="#">3140050000</a>	HDC enclosures, Installation size: 3, Protection degree: IP55, Cover for
GTIN (EAN)	4099987382410	lower part of housing, Clamping yoke connection, Standard, Size of
Qty.	1 ST	cable entries: none