

CRKIT P 24VDC 2CO L/D

Weidmüller Interface GmbH & Co. KG
 Klingenbergstraße 26
 D-32758 Detmold
 Germany

www.weidmueller.com



Relay sockets with PUSH IN connection for quick installation

General ordering data

Version	CUBESERIES, Number of contacts: 2, CO contact AgNi, Rated control voltage: 24 V DC, Continuous current: 8 A, PUSH IN, Test button available: No
Order No.	3137380000
Type	CRKIT P 24VDC 2CO L/D
GTIN (EAN)	4099987361842
Qty.	10 items

CRIKIT P 24VDC 2CO L/D

Weidmüller Interface GmbH & Co. KG
 Klingenbergstraße 26
 D-32758 Detmold
 Germany

www.weidmueller.com

Technical data

Approvals

Approvals



ROHS Conform

Dimensions and weights

Depth	72.5 mm	Depth (inches)	2.8543 inch
Height	97 mm	Height (inches)	3.8189 inch
Width	15.9 mm	Width (inches)	0.626 inch
Net weight	61 g		

Temperatures

Storage temperature	Ambient temperature	-20 °C...70 °C
Operating temperature		

Environmental Product Compliance

RoHS Compliance Status	Compliant without exemption
REACH SVHC	No SVHC above 0.1 wt%

Control side

Rated control voltage	24 V DC	Rated current DC	23.5 mA
Power rating	565 mW	Coil resistance	1440 Ω ± 10 %
Status indicator	Green LED	Protective circuit	Free-wheeling diode
Coil voltage of the replacement relay deviating from the rated control voltage	No	Coil voltage of the replacement relay	24 V DC

Load side

Rated switching voltage	250 V AC	Continuous current	8 A
Max. switching frequency at rated load	0.1 Hz	Max. switching voltage, AC	250 V
Max. switching voltage, DC	250 V	AC switching capacity (resistive), max.	2000 VA
DC switching capacity (resistive), max.	192 W @ 24 V	Switch-on delay	≤ 12 ms
Switch-off delay	≤ 6 ms	Contact type	2 CO contact (AgNi)
Mechanical service life	3 x 10 ⁷ switching cycles	Min. switching power	10 mA @ 12 V, 100 mA @ 5 V

General data

Operating altitude	≤ 2000 m, above sea level	
Mounting rail	TS 35	
Test button available	No	
Colour	black	
UL94 flammability rating component	Component	Socket
	UL94 flammability rating	V-0
	Component	Relay cover
	UL94 flammability rating	V-2

CRIKIT P 24VDC 2CO L/D

Weidmüller Interface GmbH & Co. KG
 Klingenbergstraße 26
 D-32758 Detmold
 Germany

www.weidmueller.com

Technical data

Insulation coordination

Surge voltage category	II	Dielectric strength for control side - load side	5 kVeff / 1min
Dielectric strength of neighbouring contacts	3 KVeFF / 1 Min.	Dielectric strength to mounting rail	4 kVeff / 1 Min.
Impulse withstand voltage	4 kV (1.2/50 µs)	Protection degree	IP20

Connection data

Wire connection method	PUSH IN	Stripping length, rated connection	8 mm
Clamping range, rated connection	1.5 mm ²	Clamping range, min.	0.5 mm ²
Clamping range, max.	1.5 mm ²	Wire cross-section, solid, min.	0.5 mm ²
Wire cross-section, solid, max.	1.5 mm ²	Wire cross-section, solid, min. (AWG)	AWG 20
Wire cross-section, solid, max. (AWG)	AWG 16	Conductor cross-section, flexible, AEH (DIN 46228-1), max.	1.5 mm ²
Blade size	0.6 x 3.5 mm		

Classifications

ETIM 8.0	EC001437	ETIM 9.0	EC001437
ETIM 10.0	EC001437	ECLASS 14.0	27-37-16-01
ECLASS 15.0	27-37-16-01		

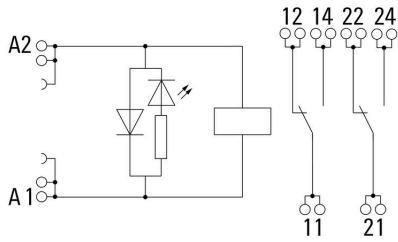
CRIKIT P 24VDC 2CO L/D

Weidmüller Interface GmbH & Co. KG
 Klingenbergstraße 26
 D-32758 Detmold
 Germany

www.weidmueller.com

Drawings

Wiring diagram



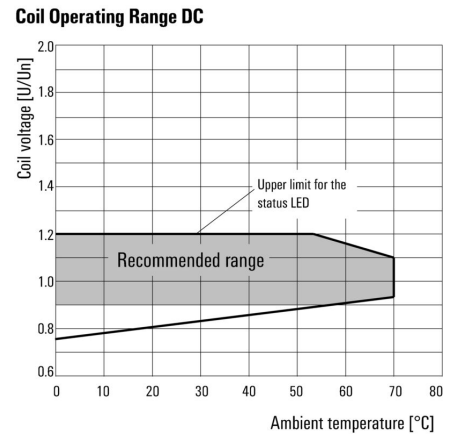
Graph



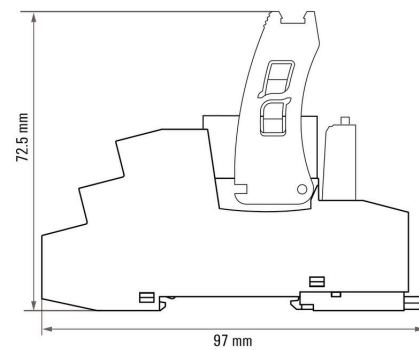
Graph



Graph



Dimensional drawing



CRIKIT P 24VDC 2CO L/D

Weidmüller Interface GmbH & Co. KG
 Klingenbergstraße 26
 D-32758 Detmold
 Germany

www.weidmueller.com

Accessories

Slotted screwdriver



VDE insulated slot-head screwdriver, SDI DIN 7437, ISO 2380/2, drive output acc. to DIN 5264, ISO 2380/1.
 SoftFinish grip

General ordering data

Type	SDIS 0.6X3.5X100	Version	
Order No.	2749810000	Screwdriver, Blade width (B): 3.5 mm, Blade length: 100 mm, Blade thickness (A): 0.6 mm	
GTIN (EAN)	4050118897012		
Qty.	1 ST		

Blank



MultiFit is the Weidmüller marker system used for other makes of terminals. Similar to the Weidmüller Dekafix, the markers of the MultiFit family are available ready-for-use with standard printing.

We recommend to carry out a test with sample markers on the terminals used when using MultiFit for the first time.

- One marker, suitable for different makes of terminals.
- Ready-to-use markers with standard printing
- Blank markers for printing with the PrintJet CONNECT or Plotter
- Delivery of individually printed markers according to customer CAE data or specifications
- One marking system for all applications

For custom printing: Please send us a file of our labeling software M-Print PRO or M-Print PRO Online (without installation) for your labeling specifications.

General ordering data

Type	MF 10/10 MC NE WS	Version	
Order No.	1856760000	MultiFit, Terminal marker, 10 x 10 mm, Pitch in mm (P): 10.00	
GTIN (EAN)	4032248401031	Phoenix, Entrelec, white	
Qty.	200 ST		
Type	MF 10/5 MC NE WS	Version	
Order No.	1677160000	MultiFit, Terminal marker, 10 x 5 mm, Pitch in mm (P): 5.00 Phoenix,	
GTIN (EAN)	4008190475505	Wieland, Legrand, Telemecanique, Entrelec, white	
Qty.	600 ST		
Type	MF 10/6 MC NE WS	Version	
Order No.	1677220000	MultiFit, Terminal marker, 10 x 6 mm, Pitch in mm (P): 6.00 Phoenix,	
GTIN (EAN)	4008190475529	Wieland, Legrand, Telemecanique, Entrelec, white	
Qty.	600 ST		
Type	MF 10/8 MC NE WS	Version	
Order No.	1868440000	MultiFit, Terminal marker, 10 x 8 mm, Pitch in mm (P): 8.00 Phoenix,	
GTIN (EAN)	4032248440023	Entrelec, white	
Qty.	350 ST		

CRIKIT P 24VDC 2CO L/D

Weidmüller Interface GmbH & Co. KG
 Klingenbergstraße 26
 D-32758 Detmold
 Germany

Accessories

www.weidmueller.com

MultiFit



MultiMark MultiFit

For connectors from competitors.

The elastic surface finish makes for simple installation. This special material enables the strips to be stretched to accommodate slight variations in spacing, especially with long terminal blocks.

A print resolution of 300 dpi also produces a very legible script. Your benefits with MultiMark

- Firm hold and durable printing
- Continuous strips save installation time
- Easy mounting thanks to an innovative composite material
- Large label field for optimal legibility
- High flexibility thanks to manufacturer independence
- Firm hold and durable printing
- Continuous strips save installation time
- Easy mounting thanks to an innovative composite material
- Large label field for optimal legibility
- High flexibility thanks to manufacturer independence
-] • Firm hold and durable printing
- Continuous strips save installation time
- Easy mounting thanks to an innovative composite material
- Large label field for optimal legibility
- High flexibility thanks to manufacturer independence

General ordering data

Type	MF 10/10 MM WS	Version
Order No.	2886000000	Terminal marker, 10 x 10 mm, white
GTIN (EAN)	4064675854609	
Qty.	300 ST	
Type	MF 10/12 MM WS	Version
Order No.	2886010000	Terminal marker, 10 x 12 mm, white
GTIN (EAN)	4064675854616	
Qty.	250 ST	
Type	MF 10/3.5 MM WS	Version
Order No.	2885970000	Terminal marker, 10 x 3.5 mm, Pitch in mm (P): 3.50 white
GTIN (EAN)	4064675854579	
Qty.	850 ST	
Type	MF 10/4.2 MM WS	Version
Order No.	2885980000	Terminal marker, 10 x 4.2 mm, Pitch in mm (P): 4.20 white
GTIN (EAN)	4064675854586	
Qty.	750 ST	
Type	MF 10/5 MM WS	Version
Order No.	2519170000	Terminal marker, 10 x 5 mm, white
GTIN (EAN)	4050118531190	
Qty.	600 ST	
Type	MF 10/6 MM WS	Version
Order No.	2519180000	Terminal marker, 10 x 6 mm, white
GTIN (EAN)	4050118531404	
Qty.	500 ST	

CRIKIT P 24VDC 2CO L/D

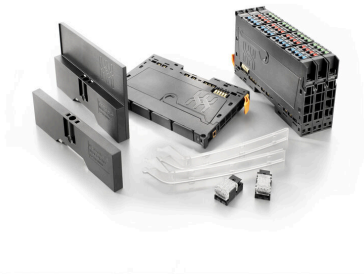
Weidmüller Interface GmbH & Co. KG
 Klingenbergstraße 26
 D-32758 Detmold
 Germany

www.weidmueller.com

Accessories

Type	MF 10/7.6 MM WS	Version
Order No.	2885990000	Terminal marker, 10 x 7.6 mm, Pitch in mm (P): 7.60 white
GTIN (EAN)	4064675854593	
Qty.	400 ST	
Type	MF 10/8 MM WS	Version
Order No.	2519190000	Terminal marker, 10 x 8 mm, white
GTIN (EAN)	4050118531411	
Qty.	400 ST	

Accessories



System accessory

Discover a wide range of accessories for your u-remote system - the ideal addition to make your applications even more efficient and flexible.

General ordering data

Type	UR20-EBK-ACC	Version
Order No.	1346610000	End bracket, ,
GTIN (EAN)	4050118151596	
Qty.	5 ST	