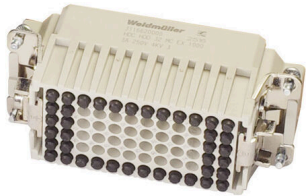


HDC HDD 32 MC EX 1000**Weidmüller Interface GmbH & Co. KG**

Klingenbergstraße 26

D-32758 Detmold

Germany

www.weidmueller.com

The option of separating cables in Zone 2 that comply with the following approvals ATEX: T II 3G Ex ec IIC T6 Gc or IECEX: Ex ec IIC T6 Gc simplifies installation, service and enables better preparation. The approved connectors offered here must always be used complete with the corresponding approved housings and inserts and may only be disconnected without load.

General ordering data

Version	HDC insert, Male, 1000 V, Number of poles: 32, Crimp connection, Installation size: 6
Order No.	3116620000
Type	HDC HDD 32 MC EX 1000
GTIN (EAN)	4099987235747
Qty.	1 items

HDC HDD 32 MC EX 1000

Weidmüller Interface GmbH & Co. KG
 Klingenbergstraße 26
 D-32758 Detmold
 Germany

www.weidmueller.com

Technical data

Approvals

Approvals



UL File Number Search [UL Website](#)
 Certificate No. (cURus) E92202

Dimensions and weights

Depth	34 mm	Depth (inches)	1.3386 inch
Height	36 mm	Height (inches)	1.4173 inch
Width	84 mm	Width (inches)	3.3071 inch
Diameter	1.6 mm	Net weight	62 g

Temperatures

Limit temperature -20 °C ... 80 °C

Environmental Product Compliance

RoHS Compliance Status	Compliant without exemption	
REACH SVHC	No SVHC above 0.1 wt%	
Chemical resistance	Substance	Acetone
	Chemical resistance	Resistant
	Substance	Ammonia, watery
	Chemical resistance	Conditionally resistant
	Substance	Petrol
	Chemical resistance	Resistant
	Substance	Benzene
	Chemical resistance	Resistant
	Substance	Diesel oil
	Chemical resistance	Conditionally resistant
	Substance	Acetic acid, concentrated
	Chemical resistance	Resistant
	Substance	Potassium hydroxide
	Chemical resistance	Conditionally resistant
	Substance	Methanol
	Chemical resistance	Conditionally resistant
	Substance	Motor oil
Chemical resistance	Conditionally resistant	
Substance	Lye, diluted	
Chemical resistance	Resistant	
Substance	Hydrochlorofluorocarbons	
Chemical resistance	Conditionally resistant	
Substance	Outdoor use	
Chemical resistance	Conditionally resistant	

Dimensions

Width 84 mm

General data

Number of poles	32	Type of connection	Crimp connection
Installation size	6	UL 94 flammability rating	V-0

HDC HDD 32 MC EX 1000

Weidmüller Interface GmbH & Co. KG

Klingenbergstraße 26

D-32758 Detmold

Germany

www.weidmueller.com

Technical data

Colour	grey	Insulating material	Polycarbonate
Surface finish	Miscellaneous	Type	Male
Basic material	Polycarbonate	Series	HDD
Rated voltage (DIN EN 61984)	1000 V	Free from halogens	false
BG	6	Number of signal contacts	0
Number of power contacts	32	Protection degree	IP55

Rating data IECEx/ATEX

Certificate No. (IECEX)	TUEV24ATEX9197X	Current (IECEX)	3 A
Current (ATEX)	3 A	Certificate No. (ATEX)	IECEXTUR24.0077X
Wire cross section max. (IECEX)	2.5 mm ²	Max. voltage (ATEX)	250 V
Wire cross section max. (ATEX)	2.5 mm ²	Max. voltage (IECEX)	250 V

Connection data PE

Connection type PE	Crimp connection
--------------------	------------------

Version

Stripping length, rated connection	8 mm	Type of connection	Crimp connection
Installation size	6	Conductor cross-section, max.	2.5 mm ²
Conductor cross-section, min.	0.5 mm ²	Surface finish	Miscellaneous
Basic material	Polycarbonate	BG	6

Classifications

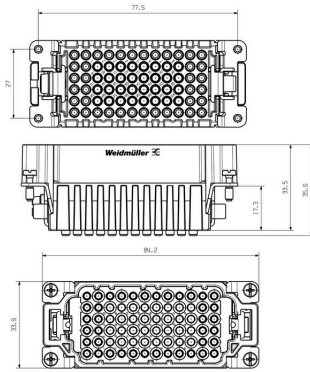
ETIM 8.0	EC000438	ETIM 9.0	EC000438
ETIM 10.0	EC000438	ECLASS 14.0	27-44-02-05
ECLASS 15.0	27-44-02-05		

HDC HDD 32 MC EX 1000

Weidmüller Interface GmbH & Co. KG
Klingenbergstraße 26
D-32758 Detmold
Germany

Drawings

www.weidmueller.com



HDC HDD 32 MC EX 1000

Weidmüller Interface GmbH & Co. KG
 Klingenbergstraße 26
 D-32758 Detmold
 Germany

www.weidmueller.com

Accessories

DSTV



Various accessories are available for our inserts. This includes coding elements for the inserts.

General ordering data

Type	DSTV COBU5	Version
Order No.	1471500000	Heavy-duty connectors, Accessories, Coding element
GTIN (EAN)	4008190178543	
Qty.	100 ST	
Type	DSTV COST4	Version
Order No.	1471300000	Heavy-duty connectors, Accessories, Coding System
GTIN (EAN)	4008190017354	
Qty.	100 ST	

Size 6 (16B)



The option of separating cables in Zone 2 that comply with the following approvals ATEX: T II 3G Ex ec IIC T6 Gc or IECEX: Ex ec IIC T6 Gc simplifies installation, service and enables better preparation. The approved connectors offered here must always be used complete with the corresponding approved housings and inserts and may only be disconnected without load.

General ordering data

Type	HDC 16B AS ATEX	Version
Order No.	3139920000	HDC enclosures, Installation size: 6, Protection degree: IP55, Bulkhead housing, Clamping yoke connection, Standard, Size of cable entries:
GTIN (EAN)	4099987382281	none
Qty.	1 ST	
Type	HDC 16B SS 1M32G ATEX	Version
Order No.	3139870000	HDC enclosures, Installation size: 6, Protection degree: IP55, Base housing, Clamping yoke connection, Standard, Size of cable entries:
GTIN (EAN)	4099987382236	M 32
Qty.	1 ST	
Type	HDC 16B TOS 1M32G ATEX	Version
Order No.	3139980000	HDC enclosures, Installation size: 6, Protection degree: IP55, Plug housing, Clamping yoke connection, Standard, Size of cable entries:
GTIN (EAN)	4099987382342	M 32
Qty.	1 ST	
Type	HDC 16B TOS 2M25G ATEX	Version
Order No.	3139990000	HDC enclosures, Installation size: 6, Protection degree: IP55, Plug housing, Clamping yoke connection, Standard, Size of cable entries:
GTIN (EAN)	4099987382359	M 32, M 25
Qty.	1 ST	

HDC HDD 32 MC EX 1000

Weidmüller Interface GmbH & Co. KG
 Klingenbergstraße 26
 D-32758 Detmold
 Germany

www.weidmueller.com

Accessories

Type	HDC 16B TSS 1M32G ATEX	Version
Order No.	314000000	HDC enclosures, Installation size: 6, Protection degree: IP55, Plug
GTIN (EAN)	4099987382366	housing, Clamping yoke connection, Standard, Size of cable entries:
Qty.	1 ST	M 32

Crimp contacts HD



Crimps provide a electrical and mechanical connection between wire and contact that is both secure and reliable. The optimal crimp connection is gas-tight and corrosion-resistant.

General ordering data

Type	HDC-C-HD-SM0.14-0.37AG	Version
Order No.	1651520000	Heavy-duty connectors, Crimp contact, HD, HDD, HQ, MixMate, Male,
GTIN (EAN)	4008190400194	Conductor cross-section, max.: 0.37, turned, Copper alloy
Qty.	100 ST	
Type	HDC-C-HD-SM0.14-0.37AU	Version
Order No.	1651620000	Heavy-duty connectors, Crimp contact, HD, HDD, HQ, MixMate, Male,
GTIN (EAN)	4008190400293	Conductor cross-section, max.: 0.37, turned, Copper alloy
Qty.	100 ST	
Type	HDC-C-HD-SM0.5AG	Version
Order No.	1651530000	Heavy-duty connectors, Crimp contact, HD, HDD, HQ, MixMate, Male,
GTIN (EAN)	4008190400200	Conductor cross-section, max.: 0.5, turned, Copper alloy
Qty.	100 ST	
Type	HDC-C-HD-SM0.5AU	Version
Order No.	1651630000	Heavy-duty connectors, Crimp contact, HD, HDD, HQ, MixMate, Male,
GTIN (EAN)	4008190400309	Conductor cross-section, max.: 0.5, turned, Copper alloy
Qty.	100 ST	
Type	HDC-C-HD-SM0.75-1.00AG	Version
Order No.	1601750000	Heavy-duty connectors, Crimp contact, HD, HDD, HQ, MixMate, Male,
GTIN (EAN)	4008190134280	Conductor cross-section, max.: 1, turned, Copper alloy
Qty.	100 ST	
Type	HDC-C-HD-SM0.75-1.00AU	Version
Order No.	1651640000	Heavy-duty connectors, Crimp contact, HD, HDD, HQ, MixMate, Male,
GTIN (EAN)	4008190400316	Conductor cross-section, max.: 1, turned, Copper alloy
Qty.	100 ST	
Type	HDC-C-HD-SM1.5AG	Version
Order No.	1651550000	Heavy-duty connectors, Crimp contact, HD, HDD, HQ, MixMate, Male,
GTIN (EAN)	4008190400224	Conductor cross-section, max.: 1.5, turned, Copper alloy
Qty.	100 ST	
Type	HDC-C-HD-SM1.5AU	Version
Order No.	1651650000	Heavy-duty connectors, Crimp contact, HD, HDD, HQ, MixMate, Male,
GTIN (EAN)	4008190400323	Conductor cross-section, max.: 1.5, turned, Copper alloy
Qty.	100 ST	

HDC HDD 32 MC EX 1000

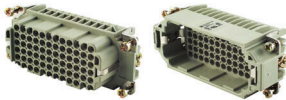
Weidmüller Interface GmbH & Co. KG
 Klingenbergstraße 26
 D-32758 Detmold
 Germany

www.weidmueller.com

Accessories

Type	HDC-C-HD-SM2.5AG	Version
Order No.	1651560000	Heavy-duty connectors, Crimp contact, HD, HDD, HQ, MixMate, Male,
GTIN (EAN)	4008190400231	Conductor cross-section, max.: 2.5, turned, Copper alloy
Qty.	100 ST	
Type	HDC-C-HD-SM2.5AU	Version
Order No.	1651660000	Heavy-duty connectors, Crimp contact, HD, HDD, HQ, MixMate, Male,
GTIN (EAN)	4008190400330	Conductor cross-section, max.: 2.5, turned, Copper alloy
Qty.	100 ST	

Size 6



The HDD series with machined crimp contacts is designed for high pole counts in tight spaces. Users save installation space with the smaller design, without having to limit the number of poles.

The wire connection level is designed as a crimp contact. The established crimp connection has been used as a standard for decades. Crimp contacts are not delivered with the inserts.

Number of poles: 72

Rated current: 10 A

Rated voltage: 250 V

Nominal voltage acc. to UL/CSA: 600 V AC/DC

General ordering data

Type	HDC HDD 72 FC	Version
Order No.	1651200000	HDC insert, Female, 250 V, 10 A, Number of poles: 72, Crimp
GTIN (EAN)	4008190299804	connection, Installation size: 6
Qty.	1 ST	
Type	HDC HDD 24 FC EX 1500	Version
Order No.	3116650000	HDC insert, Female, 1500 V, Number of poles: 24, Crimp connection,
GTIN (EAN)	4099987235778	Installation size: 6
Qty.	1 ST	