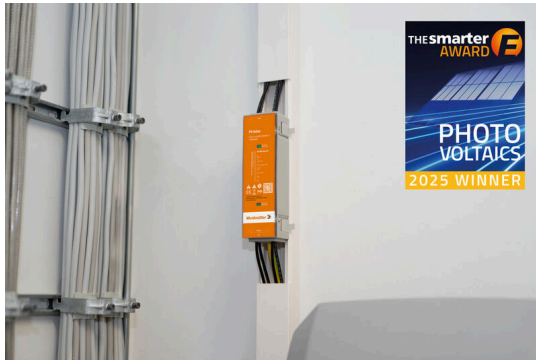


## PVI DC 1I 1O 2MPP SPD1 MC4 10

**Weidmüller Interface GmbH & Co. KG**  
 Klingenbergstraße 26  
 D-32758 Detmold  
 Germany

[www.weidmueller.com](http://www.weidmueller.com)



The compact PV combiner box PV Inline with SPD Type I +II is used in rooftop PV installations.

It protects the PV system from overvoltages, including lightning strikes.

In the event of an overvoltage, it creates a ground connection.

The space-saving surge protection device (SPD) is particularly suitable for confined spaces.

It can be integrated into cable channels or mounted behind PV modules.

### General ordering data

Version	Photovoltaics, PV Inline, 1 100 V, 2 MPP's, 1 Input / 1 Output per MPP, Surge protection I / II, MC4
Order No.	<a href="#">3108230000</a>
Type	PVI DC 1I 1O 2MPP SPD1 MC4 10
GTIN (EAN)	4099987179782
Qty.	1 items

## PVI DC 1I 10 2MPP SPD1 MC4 10

**Weidmüller Interface GmbH & Co. KG**  
 Klingenbergstraße 26  
 D-32758 Detmold  
 Germany

www.weidmueller.com

## Technical data

### Approvals

Approvals



ROHS Conform

### Dimensions and weights

Depth	52 mm	Depth (inches)	2.0472 inch
Height	280 mm	Height (inches)	11.0236 inch
Width	60 mm	Width (inches)	2.3622 inch
Net weight	956 g		

### Temperatures

Ambient temperature -40 °C...85 °C Humidity 5 - 95% rel. humidity

### Environmental Product Compliance

RoHS Compliance Status Compliant without exemption  
 REACH SVHC No SVHC above 0.1 wt%

### Included in delivery

Included accessories	Article	Mounting foot
	Quantity	2

### Guarantee

Time interval 5 years

### Electrical characteristics

Rated DC voltage	1100 V	
Rated short-term current resistance	Rated current	48.75 A
Current per Maximum Power Point, max. 39 A		
Rated DC current per connection	Current per string, max.	39.00 A
	Rated current	39 A

### Enclosure

Cover	with cover	Insulating material	ABS
Type of mounting	Wall mounting	Impact resistance	IK06
Enclosure attachment	Via mounting feet	Protection class	II
Connection type string	Plug MC4		

### General data

Standards	EN 61643-11, EN 50539-11, EN 61643-31	Protection degree	IP65
Installation location	Indoor use		

**PVI DC 1I 10 2MPP SPD1 MC4 10**

**Weidmüller Interface GmbH & Co. KG**  
 Klingenbergstraße 26  
 D-32758 Detmold  
 Germany

www.weidmueller.com

**Technical data**

**Inputs**

Amount of maximum power points (MPP)	2		
Functional earth connector	Wire connection	Type of connection	Pre-assembled cable
		Flexible, max. H05(07) 16 mm <sup>2</sup> V-K	
		w. wire end ferrule, DIN 46228 pt 1, max.	16 mm <sup>2</sup>
DC Input + & -	Wire connection	Type of connection	Stäubli MC4 connector
		Compatible cable cross-section	TÜV 2 Pfg 1169/08.07
		Wire cross-section, min.	4 mm <sup>2</sup>
		Wire cross-section, max.	6 mm <sup>2</sup>
Fuse type	Neither fuse cartridge nor holder		
Max. number of DC inputs	per Maximum Power Point 1 input		
Number of string inputs per MPP	1		
Number of inputs	1		

**Outputs**

Max. number of DC outputs	per Maximum Power Point 1 output		
DC Output + & -	Wire connection	Type of connection	Stäubli MC4 connector
		Compatible cable cross-section	TÜV 2 Pfg 1169/08.07
		Wire cross-section, min.	4 mm <sup>2</sup>
		Wire cross-section, max.	6 mm <sup>2</sup>

**Surge protection DC side**

Standards	EN 61643-11, EN 50539-11, EN 61643-31	Lightning test current Iimp (10/350 μs)	5 kA
Discharge current, max. (8/20 μs)	40 kA	Protection level Up (+/-, -/PE, +/-PE)	≤ 4.4 kV
Short-circuit current ISCPV	6000 A	Total discharge current Itotal (8/20 μs)	40 kA
Discharge current In (8/20 μs)	20 kA	Requirements class	Type I/II
Total discharge current Itotal (10/350 μs)	5 kA	PV system voltage, max. Ucpv	1100 V
Surge protection DC side	1000 V type I + II	Maximum continuous operating voltage DC UCPV mode +/-, -/PE, +/-PE	1100 V

**Classifications**

ETIM 8.0	EC003857	ETIM 9.0	EC003857
ETIM 10.0	EC003857	ECLASS 14.0	22-57-02-92
ECLASS 15.0	22-57-02-92		

**Tender specification sheets**

Long specification	Combiner box for inverters with 2 MPP tracker, suitable for protecting the DC side of a photovoltaic system according to DIN CLC/TS 51643-32. MPP1: 1 input, connection via MC4 connector, compatible with cable type
--------------------	---

### PVI DC 1I 10 2MPP SPD1 MC4 10

**Weidmüller Interface GmbH & Co. KG**  
Klingenbergstraße 26  
D-32758 Detmold  
Germany

## Technical data

[www.weidmueller.com](http://www.weidmueller.com)

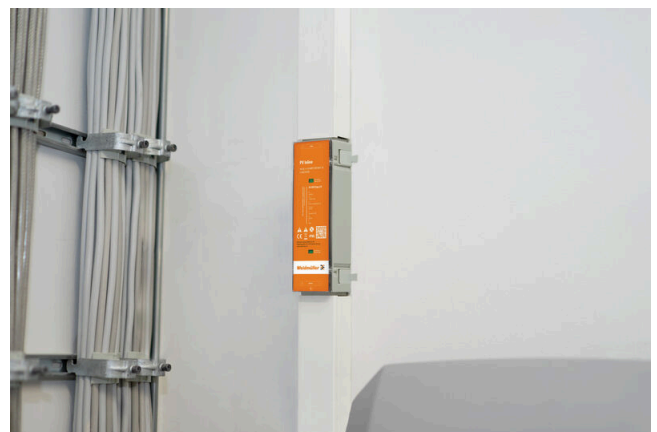
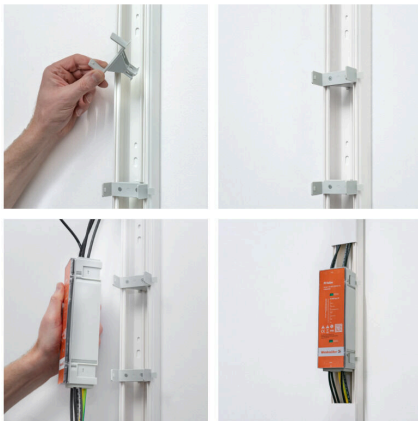
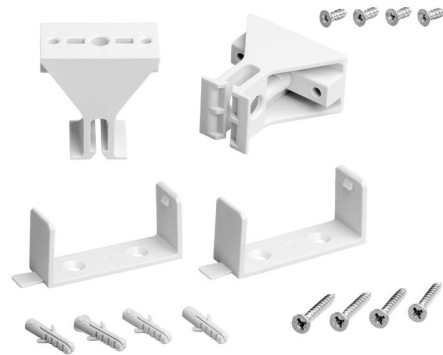
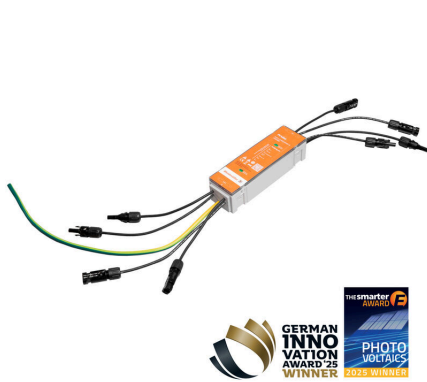
TÜV 2 Pfg 1169/08.07 /  
EN 50618:2063  
1 output, connection  
via MC4 connector,  
compatible with cable type  
TÜV 2 Pfg 1169/08.07 /  
EN 50618:2063  
MPP2:  
identical to MPP1  
Max. string voltage Uoc:  
1100 VDC  
1 class/type I + II  
combined arrester  
Connection of the  
functional earth via  
pre-assembled cable,  
Conductor cross-section:  
16 mm<sup>2</sup>  
Protection class: IP65  
All built into a polyester  
housing. Dimensions  
HxWxD: 280x60x52 mm  
Approval according to low  
voltage switchgear and  
controlgear IEC 61439-1  
and EN 61439-2

**PVI DC 1I 10 2MPP SPD1 MC4 10**

**Weidmüller Interface GmbH & Co. KG**  
Klingenbergstraße 26  
D-32758 Detmold  
Germany

**Drawings**

[www.weidmueller.com](http://www.weidmueller.com)



**PVI DC 1I 10 2MPP SPD1 MC4 10**

**Weidmüller Interface GmbH & Co. KG**  
Klingenbergstraße 26  
D-32758 Detmold  
Germany

**Drawings**

[www.weidmueller.com](http://www.weidmueller.com)



## PVI DC 1I 10 2MPP SPD1 MC4 10

**Weidmüller Interface GmbH & Co. KG**  
Klingenbergstraße 26  
D-32758 Detmold  
Germany

[www.weidmueller.com](http://www.weidmueller.com)

## Accessories

### Potential equalisation terminal block



Our potential equalisation terminal blocks allow you to achieve reliably integrated potential equalisation, even in extended systems.

#### General ordering data

Type	EBB 25-50/16	Version	
Order No.	<a href="#">1547490000</a>	Potential distributor terminal, Screw connection, Brass coloured, 50	
GTIN (EAN)	4050118387438	mm <sup>2</sup> , 0 A, Number of connections: 3, Number of levels: 1	
Qty.	10 ST		

### PV marking sets



#### General ordering data

Type	PV MARKER 1-3 MPP	Version	
Order No.	<a href="#">8000149520</a>	Photovoltaics, Device markers, Accessories, Conductor and cable	
GTIN (EAN)	4099987229197	markers, Cable ties, Marking set, Warning label, Cable marker, Self-	
Qty.	1 ST	adhesive	

### Aluminium terminal blocks



Klippon® Connect power feed-in terminal blocks WPD allow for an easy and safe installation of aluminium and copper conductors on a small footprint. A power supply or monitoring connection can also be used as an option. Customers can use the power feed-in terminal blocks WPD, regardless of the conductor material. They can be mounted either directly or on DIN rail TS35.

#### General ordering data

Type	WPD 230 2X50/2X50 GN	Version	
Order No.	<a href="#">2502600000</a>	Potential distributor terminal, Screw connection, green, 50 mm <sup>2</sup> , 150	
GTIN (EAN)	4050118516425	A, 1000 V, Number of connections: 4, Number of levels: 1	
Qty.	5 ST		

## PVI DC 1I 10 2MPP SPD1 MC4 10

**Weidmüller Interface GmbH & Co. KG**  
Klingenbergstraße 26  
D-32758 Detmold  
Germany

[www.weidmueller.com](http://www.weidmueller.com)

## Accessories

### Replacement parts



### General ordering data

Type	PVI DC CHANNEL GUIDE	Version	
Order No.	<a href="#">3110270000</a>	Photovoltaics, Mounting foot	
GTIN (EAN)	4099987 189507		
Qty.	1 ST		
Type	PVI DC WALL BRACKET	Version	
Order No.	<a href="#">3110320000</a>	Photovoltaics, Mounting foot	
GTIN (EAN)	4099987 189514		
Qty.	1 ST		