

MPS 6/08 S LF TN B B

Weidmüller Interface GmbH & Co. KG
Klingenbergstraße 26
D-32758 Detmold
Germany

www.weidmueller.com

Product image**SNAP IN** **General ordering data**

Version	PCB plug-in connector, female plug, Pitch in mm (P): 6.35 mm, Number of poles: 8, 180°, Box
Order No.	3106880000
Type	MPS 6/08 S LF TN B B
GTIN (EAN)	4099987171151
Qty.	32 items
Product data	IEC: 1000 V / 40.3 A / 0.75 - 6 mm ² UL: 600 V / 30 A / AWG 20 - AWG 10
Packaging	Box

MPS 6/08 S LF TN B B

Weidmüller Interface GmbH & Co. KG
 Klingenbergstraße 26
 D-32758 Detmold
 Germany

www.weidmueller.com

Technical data

Dimensions and weights

Depth	43 mm	Depth (inches)	1.6929 inch
Height	20.5 mm	Height (inches)	0.8071 inch
Width	58.25 mm	Width (inches)	2.2933 inch
Net weight	39.54 g		

Environmental Product Compliance

RoHS Compliance Status	Compliant without exemption
REACH SVHC	No SVHC above 0.1 wt%

System Parameters

Product family	OMNIMATE 4.0	Type of connection	Field connection
Wire connection method	SNAP IN with lever	Pitch in mm (P)	6.35 mm
Pitch in inches (P)	0.250 "	Conductor outlet direction	180°
Number of poles	8	L1 in mm	44.45 mm
L1 in inches	1.750 "	Number of rows	1
Pin series quantity	1	Touch-safe protection acc. to DIN VDE 57 106	Safe from finger touch
Touch-safe protection acc. to DIN VDE 0470	IP 20	Protection degree	IP20
Volume resistance	≤5 mΩ	Stripping length	11 mm
Plugging cycles	≥ 25	Plugging force/pole, max.	11.25 N
Pulling force/pole, max.	10 N		

Material data

Insulating material	PBT GF, PA 9T	Colour	black
Colour of operational elements	orange	Colour chart (similar)	RAL 9011
Insulating material group	I	Comparative Tracking Index (CTI)	≥ 600
Moisture Level (MSL)	1	UL 94 flammability rating	V-0
Contact material	Cu-alloy	Contact surface	tinned
Storage temperature, min.	-40 °C	Storage temperature, max.	70 °C
Operating temperature, min.	-50 °C	Operating temperature, max.	125 °C

Conductors suitable for connection

Clamping range, min.	0.5 mm ²	Clamping range, max.	4 mm ²
Solid, min. H05(07) V-U	0.75 mm ²	Solid, max. H05(07) V-U	4 mm ²
Flexible, min. H05(07) V-K	0.75 mm ²	Flexible, max. H05(07) V-K	6 mm ²
w. plastic collar ferrule, DIN 46228 pt 4, 0.5 mm ² min.		w. plastic collar ferrule, DIN 46228 pt 4, 4 mm ² max.	
w. wire end ferrule, DIN 46228 pt 1, min.	0.75 mm ²	w. wire end ferrule, DIN 46228 pt 1, max.	4 mm ²

Rated data acc. to IEC

tested acc. to standard	IEC 60664-1, IEC 61984	Rated current, min. number of poles (Tu=20°C)	40.3 A
Rated current, max. number of poles (Tu=20°C)	40.4 A	Rated current, min. number of poles (Tu=40°C)	36.3 A
Rated current, max. number of poles (Tu=40°C)	36.3 A	Rated voltage for surge voltage class / pollution degree II/2	1000 V
Rated voltage for surge voltage class / pollution degree III/2	1000 V	Rated voltage for surge voltage class / pollution degree III/3	800 V

MPS 6/08 S LF TN B B

Weidmüller Interface GmbH & Co. KG
 Klingenbergstraße 26
 D-32758 Detmold
 Germany

www.weidmueller.com

Technical data

Rated impulse voltage for surge voltage class/ pollution degree II/2 8 V

Rated impulse voltage for surge voltage class/ contamination degree III/3 8 kV

Rated impulse voltage for surge voltage class/ pollution degree III/2 8 kV

Rated data acc. to UL 1059

Rated voltage (Use group B / UL 1059) 600 V

Rated voltage (Use group D / UL 1059) 600 V

Rated current (Use group B / UL 1059) 30 A

Rated current (Use group D / UL 1059) 5 A

Wire cross-section, AWG, max. AWG 10

Rated voltage (Use group C / UL 1059) 600 V

Rated voltage (Use group F / UL 1059) 1000 V

Rated current (Use group C / UL 1059) 30 A

Wire cross-section, AWG, min. AWG 20

Important note

Notes

- Rated current related to rated cross-section & min. No. of poles.
- P on drawing = pitch
- Rated data refer only to the component itself. Clearance and creepage distances to other components are to be designed in accordance with the relevant application standards.
- Long term storage of the product with average temperature of 50 °C and maximum humidity 70%, 36 months

Classifications

ETIM 8.0	EC002638	ETIM 9.0	EC002638
ETIM 10.0	EC002638	ECLASS 14.0	27-46-02-02
ECLASS 15.0	27-46-02-02		

MPS 6/08 S LF TN B B

Weidmüller Interface GmbH & Co. KG
 Klingenbergstraße 26
 D-32758 Detmold
 Germany

Drawings

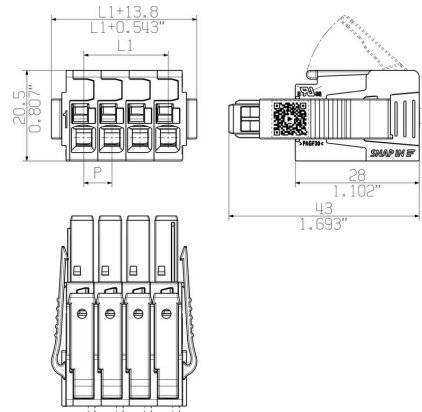
www.weidmueller.com

Product image

SNAP IN 

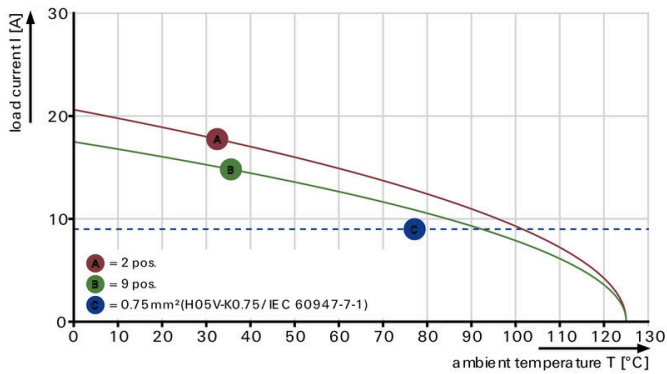


Dimensional drawing



Derating curve

MPS 6 - MHS 6/H



Derating curve

MPS 6 - MHS 6/H

