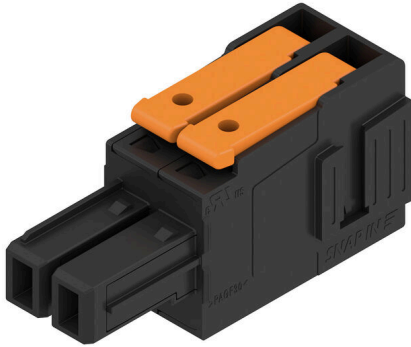


## MPS 6/02 S TN B B

Weidmüller Interface GmbH & Co. KG  
 Klingenbergstraße 26  
 D-32758 Detmold  
 Germany

www.weidmueller.com

## Product image

SNAP IN 

## General ordering data

Version	PCB plug-in connector, female plug, Pitch in mm (P): 6.35 mm, Number of poles: 2, 180°, Box
Order No.	<a href="#">3106830000</a>
Type	MPS 6/02 S TN B B
GTIN (EAN)	4099987171106
Qty.	128 items
Product data	IEC: 1000 V / 40.3 A / 0.75 - 6 mm <sup>2</sup> UL: 600 V / 30 A / AWG 20 - AWG 10
Packaging	Box

## MPS 6/02 S TN B B

Weidmüller Interface GmbH &amp; Co. KG

Klingenbergstraße 26

D-32758 Detmold

Germany

www.weidmueller.com

## Technical data

## Dimensions and weights

Depth	43 mm	Depth (inches)	1.6929 inch
Height	20.5 mm	Height (inches)	0.8071 inch
Width	15.5 mm	Width (inches)	0.6102 inch
Net weight	10.75 g		

## Environmental Product Compliance

RoHS Compliance Status	Compliant without exemption
REACH SVHC	No SVHC above 0.1 wt%

## System Parameters

Product family	OMNIMATE 4.0	Type of connection	Field connection
Wire connection method	SNAP IN with lever	Pitch in mm (P)	6.35 mm
Pitch in inches (P)	0.250 "	Conductor outlet direction	180°
Number of poles	2	L1 in mm	6.35 mm
L1 in inches	0.250 "	Number of rows	1
Pin series quantity	1	Touch-safe protection acc. to DIN VDE 57 106	Safe from finger touch
Touch-safe protection acc. to DIN VDE 0470	IP 20	Protection degree	IP20
Volume resistance	≤5 mΩ	Stripping length	11 mm
Plugging cycles	≥ 25	Plugging force/pole, max.	11.25 N
Pulling force/pole, max.	10 N		

## Material data

Insulating material	PBT GF, PA 9T	Colour	black
Colour of operational elements	orange	Colour chart (similar)	RAL 9011
Insulating material group	I	Comparative Tracking Index (CTI)	≥ 600
Moisture Level (MSL)	1	UL 94 flammability rating	V-0
Contact material	Cu-alloy	Contact surface	tinned
Storage temperature, min.	-40 °C	Storage temperature, max.	70 °C
Operating temperature, min.	-50 °C	Operating temperature, max.	125 °C

## Conductors suitable for connection

Clamping range, min.	0.5 mm <sup>2</sup>	Clamping range, max.	4 mm <sup>2</sup>
Solid, min. H05(07) V-U	0.75 mm <sup>2</sup>	Solid, max. H05(07) V-U	4 mm <sup>2</sup>
Flexible, min. H05(07) V-K	0.75 mm <sup>2</sup>	Flexible, max. H05(07) V-K	6 mm <sup>2</sup>
w. plastic collar ferrule, DIN 46228 pt 4, 0.5 mm <sup>2</sup> min.		w. plastic collar ferrule, DIN 46228 pt 4, 4 mm <sup>2</sup> max.	
w. wire end ferrule, DIN 46228 pt 1, 0.75 mm <sup>2</sup> min.		w. wire end ferrule, DIN 46228 pt 1, 4 mm <sup>2</sup> max.	

## Rated data acc. to IEC

tested acc. to standard	IEC 60664-1, IEC 61984	Rated current, min. number of poles (Tu=20°C)	40.3 A
Rated current, max. number of poles (Tu=20°C)	40.4 A	Rated current, min. number of poles (Tu=40°C)	36.3 A
Rated current, max. number of poles (Tu=40°C)	36.3 A	Rated voltage for surge voltage class / pollution degree II/2	1000 V
Rated voltage for surge voltage class / pollution degree III/2	1000 V	Rated voltage for surge voltage class / pollution degree III/3	800 V

## MPS 6/02 S TN B B

**Weidmüller Interface GmbH & Co. KG**  
 Klingenbergstraße 26  
 D-32758 Detmold  
 Germany

www.weidmueller.com

## Technical data

Rated impulse voltage for surge voltage class/ pollution degree II/2 8 V

Rated impulse voltage for surge voltage class/ pollution degree III/2 8 kV

Rated impulse voltage for surge voltage class/ contamination degree III/3 8 kV

### Rated data acc. to UL 1059

Rated voltage (Use group B / UL 1059) 600 V

Rated voltage (Use group C / UL 1059) 600 V

Rated voltage (Use group D / UL 1059) 600 V

Rated voltage (Use group F / UL 1059) 1000 V

Rated current (Use group B / UL 1059) 30 A

Rated current (Use group C / UL 1059) 30 A

Rated current (Use group D / UL 1059) 5 A

Wire cross-section, AWG, min. AWG 20

Wire cross-section, AWG, max. AWG 10

### Important note

Notes

- Rated current related to rated cross-section & min. No. of poles.
- P on drawing = pitch
- Rated data refer only to the component itself. Clearance and creepage distances to other components are to be designed in accordance with the relevant application standards.
- Long term storage of the product with average temperature of 50 °C and maximum humidity 70%, 36 months

### Classifications

ETIM 8.0	EC002638	ETIM 9.0	EC002638
ETIM 10.0	EC002638	ECLASS 14.0	27-46-02-02
ECLASS 15.0	27-46-02-02		

MPS 6/02 S TN B B

Weidmüller Interface GmbH & Co. KG  
 Klingenbergstraße 26  
 D-32758 Detmold  
 Germany

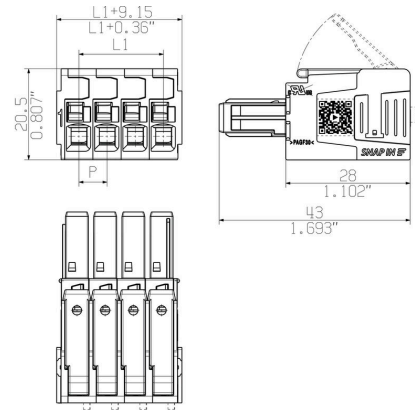
www.weidmueller.com

Drawings

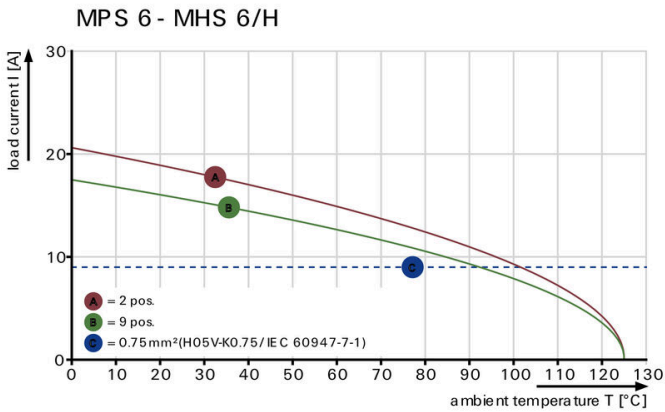
Product image



Dimensional drawing



Derating curve



Derating curve

