

SAISWP-M-4D-4/8-P12

Weidmüller Interface GmbH & Co. KG
Klingenbergstraße 26
D-32758 Detmold
Germany

www.weidmueller.com



Individual cable lengths are often required nowadays. In order to meet these demands, Weidmüller offers a wide range of plug-in connectors for custom assembly. Male plugs and female socket for customisable assembly for M8, M12, M16 and 7/8" connections which are highly robust and ideally suited to machine engineering, for instance. The M12 plug-in connectors offer a choice of 5 different connection systems.

General ordering data

Version	Field attachable connector, M12 Push-Pull
Order No.	3099410000
Type	SAISWP-M-4D-4/8-P12
GTIN (EAN)	4099987134064
Qty.	1 items

SAISWP-M-4D-4/8-P12

Weidmüller Interface GmbH & Co. KG
Klingenbergstraße 26
D-32758 Detmold
Germany

www.weidmueller.com

Technical data

Approvals

ROHS	Conform
------	---------

Dimensions and weights

Width	49 mm	Width (inches)	1.9291 inch
Diameter	19.9 mm	Net weight	50 g

Environmental Product Compliance

RoHS Compliance Status	Compliant without exemption
REACH SVHC	No SVHC above 0.1 wt%

Technical data customisable plug-in connectors

Number of poles	4	
Coding	D-coded	
Contact surface	Ni/Au	
Type of connection	PUSH IN	
Housing main material	PA 66, zinc diecast nickel-plated	
Insulation resistance	≥ 100 MΩ	
Cable diameter, max.	8 mm	
Cable diameter, min.	4 mm	
Category	Cat.5 (ISO/IEC 11801)	
Contact material	CuSn	
Conductor cross-section, max.	0.75 mm ²	
Conductor cross-section, min.	0.14 mm ²	
Nominal current	4 A	
Protection degree	IP67, IP65	
Plugging cycles	≥ 100	
Pollution severity	3	
Gender of contact	Male	
Rated voltage	Rated voltage	48 V
	Voltage type	AC
	Rated voltage	60 V
	Voltage type	DC
Shield connection	Yes	
Threaded ring material	Diecast zinc	
Temperature range of housing	-40 ... +85 °C	
Connection cross-section, max.	0.75 mm ²	
Connection cross-section, min.	0.14 mm ²	

General Info

Number of poles	4	Connection 1	M12
Connection 2	PUSH IN	UL 94 flammability rating	V-0
Housing main material	PA 66, zinc diecast nickel-plated	Category	Cat.5 (ISO/IEC 11801)
Connection thread	M12 Push-Pull	Contact material	CuSn
Contact surface	Ni/Au	Wire connection cross section, finely stranded, min.	0.14 mm ²
Wire connection cross section, finely stranded, max.	0.75 mm ²	Wire connection cross-section, finely stranded with wire-end ferrules DIN 46228/1, min.	0.08 mm ²

SAISWP-M-4D-4/8-P12

Weidmüller Interface GmbH & Co. KG
 Klingenbergstraße 26
 D-32758 Detmold
 Germany

www.weidmueller.com

Technical data

Wire connection cross-section, finely stranded with wire-end ferrules DIN 46228/1, max.	0.5 mm ²	Wire cross-section, solid, min.	0.14 mm ²
Wire cross-section, solid, max.	0.75 mm ²	Contact holder materials	PA
Shielding	Yes	Protection degree	IP67, IP65
Plugging cycles	≥ 100		

Electrical properties

Insulation resistance ≥ 100 MΩ

General standards

Connector standard IEC 61076-2-010, IEC 61076-2-101

Standards

Connector standard	IEC 61076-2-010, IEC 61076-2-101	Fire safety for railway vehicles	DIN EN 45545-2
Shock and vibration proof according to	EN 50155:2001		

Classifications

ETIM 8.0	EC002635	ETIM 9.0	EC002635
ETIM 10.0	EC002635	ECLASS 14.0	27-44-01-16
ECLASS 15.0	27-44-01-16		

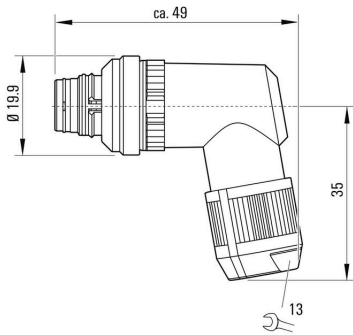
SAISWP-M-4D-4/8-P12

Weidmüller Interface GmbH & Co. KG
Klingenbergstraße 26
D-32758 Detmold
Germany

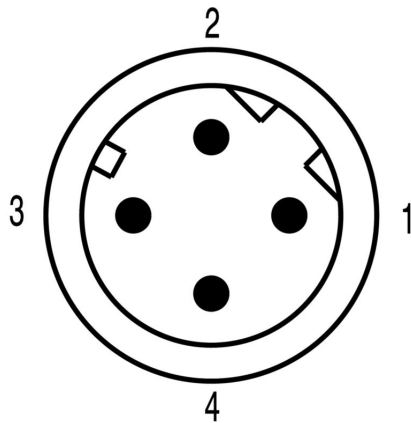
www.weidmueller.com

Drawings

Dimensioned drawing



Pole scheme



SAISWP-M-4D-4/8-P12

Weidmüller Interface GmbH & Co. KG
Klingenbergstraße 26
D-32758 Detmold
Germany

Drawings

www.weidmueller.com

