

**SAISWP-M-5A-4/8-P12****Weidmüller Interface GmbH & Co. KG**

Klingenbergstraße 26

D-32758 Detmold

Germany

[www.weidmueller.com](http://www.weidmueller.com)

Individual cable lengths are often required nowadays. In order to meet these demands, Weidmüller offers a wide range of plug-in connectors for custom assembly. Male plugs and female socket for customisable assembly for M8, M12, M16 and 7/8" connections which are highly robust and ideally suited to machine engineering, for instance. The M12 plug-in connectors offer a choice of 5 different connection systems.

**General ordering data**

Version	Field attachable connector, M12 Push-Pull
Order No.	<a href="#">3099370000</a>
Type	SAISWP-M-5A-4/8-P12
GTIN (EAN)	4099987134026
Qty.	1 items

## SAISWP-M-5A-4/8-P12

Weidmüller Interface GmbH & Co. KG  
Klingenbergstraße 26  
D-32758 Detmold  
Germany

www.weidmueller.com

## Technical data

## Approvals

ROHS	Conform
------	---------

## Dimensions and weights

Width	49 mm	Width (inches)	1.9291 inch
Diameter	19.9 mm	Net weight	50 g

## Environmental Product Compliance

RoHS Compliance Status	Compliant without exemption
REACH SVHC	No SVHC above 0.1 wt%

## Technical data customisable plug-in connectors

Number of poles	5	
Coding	A-coded	
Contact surface	Ni/Au	
Type of connection	PUSH IN	
Housing main material	PA 66, zinc diecast nickel-plated	
Insulation resistance	≥ 100 MΩ	
Cable diameter, max.	8 mm	
Cable diameter, min.	4 mm	
Contact material	CuSn	
Conductor cross-section, max.	0.75 mm <sup>2</sup>	
Conductor cross-section, min.	0.14 mm <sup>2</sup>	
Nominal current	4 A	
Protection degree	IP67, IP65	
Plugging cycles	≥ 100	
Pollution severity	3	
Gender of contact	Male	
Rated voltage	Rated voltage	48 V
	Voltage type	AC
	Rated voltage	60 V
	Voltage type	DC
Shield connection	Yes	
Threaded ring material	Diecast zinc	
Temperature range of housing	-40 ... +85 ° C	

## General Info

Number of poles	5	Connection 1	M12
Connection 2	PUSH IN	UL 94 flammability rating	V-0
Housing main material	PA 66, zinc diecast nickel-plated	Connection thread	M12 Push-Pull
Contact material	CuSn	Contact surface	Ni/Au
Wire connection cross section, finely stranded, min.	0.14 mm <sup>2</sup>	Wire connection cross section, finely stranded, max.	0.75 mm <sup>2</sup>
Wire connection cross-section, finely stranded with wire-end ferrules DIN 46228/1, min.	0.08 mm <sup>2</sup>	Wire connection cross-section, finely stranded with wire-end ferrules DIN 46228/1, max.	0.5 mm <sup>2</sup>
Wire cross-section, solid, min.	0.14 mm <sup>2</sup>	Wire cross-section, solid, max.	0.75 mm <sup>2</sup>
Contact holder materials	PA	Shielding	Yes
Protection degree	IP67, IP65	Plugging cycles	≥ 100

**SAISWP-M-5A-4/8-P12**

**Weidmüller Interface GmbH & Co. KG**  
Klingenbergstraße 26  
D-32758 Detmold  
Germany

[www.weidmueller.com](http://www.weidmueller.com)

**Technical data****Standards**

Connector standard	IEC 61076-2-101, IEC 61076-2-010	Fire safety for railway vehicles	DIN EN 45545-2
Shock and vibration proof according to	EN 50155:2001, EN 50155		

**Classifications**

ETIM 8.0	EC002635	ETIM 9.0	EC002635
ETIM 10.0	EC002635	ECLASS 14.0	27-44-01-16
ECLASS 15.0	27-44-01-16		

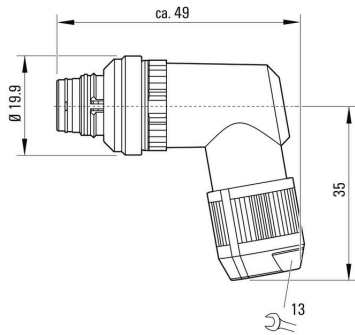
**SAISWP-M-5A-4/8-P12**

**Weidmüller Interface GmbH & Co. KG**  
Klingenbergstraße 26  
D-32758 Detmold  
Germany

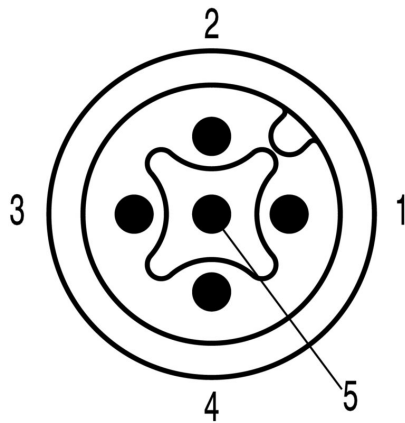
[www.weidmueller.com](http://www.weidmueller.com)

**Drawings**

**Dimensioned drawing**



**Pole scheme**



**SAISWP-M-5A-4/8-P12**

**Weidmüller Interface GmbH & Co. KG**  
Klingenbergstraße 26  
D-32758 Detmold  
Germany

**Drawings**

[www.weidmueller.com](http://www.weidmueller.com)

