

SAI-H3-M12-T-SI

Weidmüller Interface GmbH & Co. KG
Klingenbergstraße 26
D-32758 Detmold
Germany

www.weidmueller.com



General ordering data

Version	Y connector
Order No.	3099270000
Type	SAI-H3-M12-T-SI
GTIN (EAN)	4099987133920
Qty.	1 items

SAI-H3-M12-T-SI

Weidmüller Interface GmbH & Co. KG

Klingenbergstraße 26

D-32758 Detmold

Germany

www.weidmueller.com

Technical data

Approvals

Approvals



ROHS Conform

Dimensions and weights

Net weight 50 g

Environmental Product Compliance

RoHS Compliance Status Compliant without exemption

REACH SVHC No SVHC above 0.1 wt%

Connection data

Group outlet - plug-in connector	M12 pin	Single outlet 1 - plug-in connector	M12 socket
Single outlet 2 - plug-in connector	M12 socket		

Technical data customisable plug-in connectors

Number of poles	4	Coding	T-coded
Contact surface	Gold-plated	Housing main material	TPU
Insulation resistance	≥ 100 MΩ	Contact material	CuZn
Nominal voltage	63 V	Nominal current	16 A
Protection degree	IP65	Plugging cycles	≥ 100
Pollution severity	3	Cable gland	M 12
Shield connection	Yes	Threaded ring material	Brass, nickel-plated
Temperature range of housing	-40 ... +85 °C		

Standards

Connector standard IEC 61076-2-111

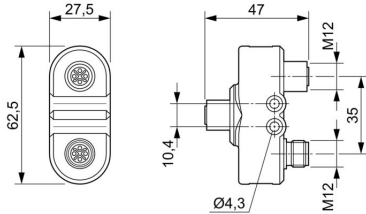
General data

Number of poles	4	Coding	T-coded
Contact material, socket	CuZn	Contact material, pin	CuZn
Contact surface	Gold-plated	Housing main material	TPU
Insulation resistance	≥ 100 MΩ	Contact material	CuZn
Nominal voltage	63 V	Nominal current	16 A
Protection degree	IP65	Plugging cycles	≥ 100
Pollution severity	3	Cable gland	M 12
Connection 1	M12/M12	Connection 2	M12
Shield connection	Yes	Temperature range of housing	-40 ... +85 °C
Conductor O.D.	-		

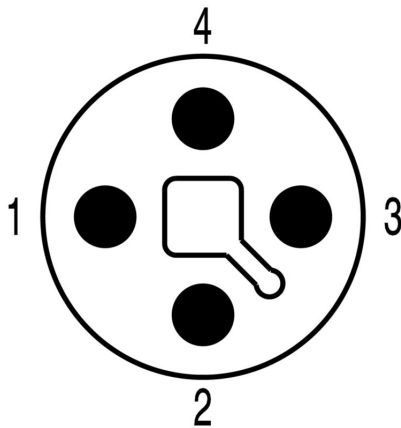
Classifications

ETIM 8.0	EC002925	ETIM 9.0	EC002925
ETIM 10.0	EC002925	ECLASS 14.0	27-44-01-06
ECLASS 15.0	27-44-01-06		

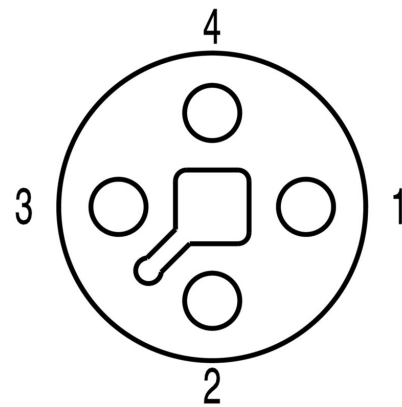
Dimensioned drawing



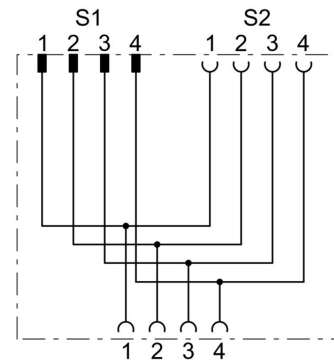
Pole scheme



Pole scheme



Wiring diagram



Derating curve

