

IE-FCI-PWB-DE-BK**Weidmüller Interface GmbH & Co. KG**

Klingenbergstraße 26

D-32758 Detmold

Germany

www.weidmueller.com

FrontCom® Vario integrates multiple functions in only one single frame. The system is easy to install and you can select from a wide range of data, signal and power modules. In addition to being extremely compact, FrontCom® Vario offers a number of unique product features that will make your project planning and work activities secure, fast and future-proof. Furthermore, the FrontCom® Vario system has an attractive housing design that, by the way, offers highest impact-resistance and fully meets the requirements of IP 65 protection class.

General ordering data

Version	FrontCom, Insert Power large, Type F, Socket connector, DE
Order No.	3088740000
Type	IE-FCI-PWB-DE-BK
GTIN (EAN)	4099987105378
Qty.	1 items

Technical data

Approvals

Approvals



Dimensions and weights

Net weight 34 g

Temperatures

Storage temperature -10 °C...70 °C Operating temperature -5 °C...40 °C

Environmental Product Compliance

RoHS Compliance Status Compliant without exemption
 REACH SVHC No SVHC above 0.1 wt%

General data

Protection degree IP20 Insert type Insert Power large
 Connector face Type F Fire load 770 kJ

Clampable conductors

Stripping length	10 mm		
Type of connection	PUSH IN		
Conductor connection cross-section, extremely flexible with wire end ferrule	min.	1.5 mm ²	
	max.	1.5 mm ²	
Conductor connection cross-section, extremely flexible without wire end ferrule	min.	1.5 mm ²	
	max.	2.5 mm ²	
Conductor connection cross-section, rigid	min.	1.5 mm ²	
	max.	2.5 mm ²	
Conductor connection cross-section, flexible with wire end ferrule	min.	1.5 mm ²	
	max.	1.5 mm ²	
Conductor connection cross-section, flexible without wire end ferrule	1.5 ... 2.5 mm ²		
Conductor connection cross-section, extremely flexible without wire end ferrule	1.5 ... 2.5 mm ²		
Conductor connection cross-section, rigid	1.5 ... 2.5 mm ²		
Conductor connection cross-section, flexible with wire end ferrule	1.5 ... 1.5 mm ²		
Conductor connection cross-section, flexible without wire end ferrule	min.	1.5 mm ²	
	max.	2.5 mm ²	
Conductor connection cross-section, extremely flexible with wire end ferrule	1.5 ... 1.5 mm ²		

Technical data

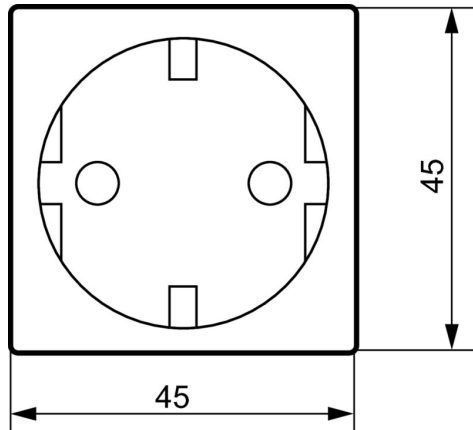
Rated voltage (AC) 250 V Housing main material Polycarbonate PC
 Nominal current 16 A

Technical data

Classifications

ETIM 8.0	EC001121	ETIM 9.0	EC001121
ETIM 10.0	EC001121	ECLASS 14.0	27-18-28-92
ECLASS 15.0	27-18-28-92		

Dimensioned drawing



Dimensioned drawing

