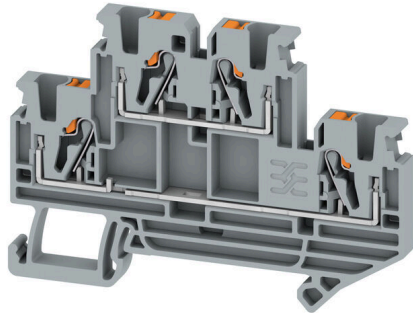


B2T 2.5N

Weidmüller Interface GmbH & Co. KG
Klingenbergstraße 26
D-32758 Detmold
Germany

www.weidmueller.com



General ordering data

Version	Feed-through terminal, PUSH IN, 2.5, 500, 22, grey
Order No.	3075890000
Type	B2T 2.5N
GTIN (EAN)	4099987079884
Qty.	50 items

B2T 2.5N

Weidmüller Interface GmbH & Co. KG

Klingenbergstraße 26

D-32758 Detmold

Germany

www.weidmueller.com

Technical data

Approvals

Approvals



UL File Number Search

[UL Website](#)

Certificate No. (UR)

E60693

Dimensions and weights

Depth	50 mm	Depth (inches)	1.9685 inch
Depth including DIN rail	50.5 mm	Height	72 mm
Height (inches)	2.8346 inch	Width	5.1 mm
Width (inches)	0.2008 inch	Net weight	11.48 g

Temperatures

Storage temperature	-25 °C...55 °C	Ambient temperature	-5 °C...40 °C
Continuous operating temp., min.	-50 °C	Continuous operating temp., max.	120 °C

Environmental Product Compliance

RoHS Compliance Status	Compliant without exemption
REACH SVHC	No SVHC above 0.1 wt%

Material data

Basic material	PA 66	Colour	grey
Colour of operational elements	orange	UL 94 flammability rating	V-0

System specifications

End cover plate required	Yes	Number of potentials	2
Number of levels	2	Number of clamping points per level	2
Levels cross-connected internally	No	PE connection	No
Mounting rail	TS 35	N-function	No
PE function	No	PEN function	No

Additional technical data

With snap-in pegs	No	Open sides	right
Snap-on	No	Type of fixing	Snap-on
Installation advice	Rail	Explosion-tested version	Yes
Type of mounting	TS 35		

Conductors for clamping (additional connection)

Connection type, additional connection PUSH IN

Conductors for clamping (rated connection)

Gauge to IEC 60947-1	A3	Wire connection cross section AWG, max.	AWG 14
Connection direction	top	Stripping length	10 mm
Type of connection 2	PUSH IN	Type of connection	PUSH IN
Number of connections	4	Clamping range, max.	2.5 mm ²

B2T 2.5N

Weidmüller Interface GmbH & Co. KG

Klingenbergstraße 26
D-32758 Detmold
Germany

www.weidmueller.com

Technical data

Clamping range, min.	0.5 mm ²	Blade size	0.6 x 3.5 mm
Wire connection cross section AWG, min.	AWG 20	Wire connection cross-section, finely stranded with wire-end ferrules DIN 46228/4, max.	2.5 mm ²
Wire connection cross-section, finely stranded with wire-end ferrules DIN 46228/4, min.	0.5 mm ²	Wire connection cross-section, finely stranded with wire-end ferrules DIN 46228/1, max.	2.5 mm ²
Wire connection cross-section, finely stranded with wire-end ferrules DIN 46228/1, min.	0.5 mm ²	Wire connection cross section, finely stranded, max.	2.5 mm ²
Wire connection cross section, finely stranded, min.	0.5 mm ²	Connection cross-section, stranded, max.	2.5 mm ²
Connection cross-section, stranded, min.	0.5 mm ²	Wire connection cross-section, solid core, max.	2.5 mm ²
Wire connection cross-section, solid core, min.	0.5 mm ²	Connection cross-section, finely stranded, min.	0.5 mm ²

General

Wire connection cross section AWG, max.	AWG 14	Installation advice	Rail
Wire connection cross section AWG, min.	AWG 20	Standards	IEC 60947-7-1
Mounting rail	TS 35		

Rating data

Rated cross-section	2.5 mm ²	Rated voltage	500 V
Rated DC voltage	500 V	Nominal current	22 A
Standards	IEC 60947-7-1	Volume resistance according to IEC 60947-7-x	1.33 mΩ
Rated impulse withstand voltage	6 kV	Power loss in accordance with IEC 60947-7-x	0.77 mW
Surge voltage category	III	Pollution severity	3

UL rating data

Voltage size B (UR)	300 V	Current size B (UR)	20 A
Conductor size Factory wiring max. (UR)	12 AWG	Current size D (UR)	10 A
Current size C (UR)	20 A	Voltage size C (UR)	150 V
Conductor size Factory wiring min. (UR)	20 AWG	Certificate No. (UR)	E60693
Conductor size Field wiring min. (UR)	20 AWG	Voltage size D (UR)	300 V
Conductor size Field wiring max. (UR)	12 AWG		

Classifications

ETIM 8.0	EC000897	ETIM 9.0	EC000897
ETIM 10.0	EC000897	ECLASS 14.0	27-25-01-02
ECLASS 15.0	27-25-01-02		

B2T 2.5N

Weidmüller Interface GmbH & Co. KG

Klingenbergstraße 26

D-32758 Detmold

Germany

Accessories

www.weidmueller.com

Accessories

General ordering data

Type	BEB 35	Version
Order No.	307610000	B-series, End bracket
GTIN (EAN)	4099987079969	
Qty.	50 ST	
Type	BCC 2.5N/10	Version
Order No.	304063000	Cross-connector (terminal), Plugged, orange, 24 A, Number of poles:
GTIN (EAN)	4099987010276	10, Pitch in mm (P): 5.10, Insulated: Yes, Width: 49.4 mm
Qty.	20 ST	
Type	BCC 2.5N/2	Version
Order No.	304057000	Cross-connector (terminal), Plugged, orange, 24 A, Number of poles:
GTIN (EAN)	4099987010245	2, Pitch in mm (P): 5.10, Insulated: Yes, Width: 8.6 mm
Qty.	50 ST	
Type	BCC 2.5N/3	Version
Order No.	304059000	Cross-connector (terminal), Plugged, orange, 24 A, Number of poles:
GTIN (EAN)	4099987010252	3, Pitch in mm (P): 5.10, Insulated: Yes, Width: 13.7 mm
Qty.	50 ST	
Type	BCC 2.5N/4	Version
Order No.	304061000	Cross-connector (terminal), Plugged, orange, 24 A, Number of poles:
GTIN (EAN)	4099987010269	4, Pitch in mm (P): 5.10, Insulated: Yes, Width: 18.8 mm
Qty.	50 ST	
Type	BEP 2T 2.5N	Version
Order No.	307607000	B-series, End plate
GTIN (EAN)	4099987079945	
Qty.	20 ST	
Type	BEP 2T 2.5N BL	Version
Order No.	307608000	B-series, End plate
GTIN (EAN)	4099987079952	
Qty.	20 ST	