

CXX LD 43G

Weidmüller Interface GmbH & Co. KG
Klingenbergstraße 26
D-32758 Detmold
Germany

www.weidmueller.com



General ordering data

| | |
|------------|---|
| Version | CUBESERIES, LED module with freewheel diode, Rated control voltage: 110...230 V DC, Plug-in connection |
| Order No. | 3053360000 |
| Type | CXX LD 43G |
| GTIN (EAN) | 4099987023153 |
| Qty. | 20 items |

CXX LD 43G

Weidmüller Interface GmbH & Co. KG
 Klingenbergstraße 26
 D-32758 Detmold
 Germany

www.weidmueller.com

Technical data

Approvals

| | |
|------|---------|
| ROHS | Conform |
|------|---------|

Dimensions and weights

| | | | |
|------------|---------|-----------------|-------------|
| Depth | 25.7 mm | Depth (inches) | 1.0118 inch |
| Height | 9.2 mm | Height (inches) | 0.3622 inch |
| Width | 12.8 mm | Width (inches) | 0.5039 inch |
| Net weight | 2 g | | |

Temperatures

| | | | |
|-----------------------|----------------|---------------------|----------------|
| Storage temperature | -40 °C...85 °C | Ambient temperature | -40 °C...70 °C |
| Operating temperature | | | |

Environmental Product Compliance

| | |
|------------------------|-----------------------------|
| RoHS Compliance Status | Compliant without exemption |
| REACH SVHC | No SVHC above 0.1 wt% |

Control side

| | | | |
|-----------------------|----------------|--------------------|---------------------|
| Rated control voltage | 110...230 V DC | Rated current DC | 4 mA |
| Status indicator | Green LED | Protective circuit | Free-wheeling diode |

General data

| | | | |
|------------------------------------|--------------------------|---------|--|
| Colour | black | | |
| UL94 flammability rating component | Component | Housing | |
| | UL94 flammability rating | V-2 | |

Connection data

| | |
|------------------------|--------------------|
| Wire connection method | Plug-in connection |
|------------------------|--------------------|

Classifications

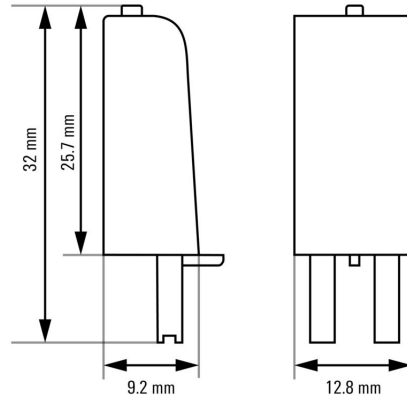
| | | | |
|-------------|-------------|-------------|-------------|
| ETIM 8.0 | EC002586 | ETIM 9.0 | EC002586 |
| ETIM 10.0 | EC002586 | ECLASS 14.0 | 27-37-16-92 |
| ECLASS 15.0 | 27-37-16-92 | | |

Drawings

Connection diagram



Dimensional drawing



Miscellaneous

Type code CUBESERIES LED / protective module versions

